



PROPRIETARY ITEM - EXCEPT FOR USES EXPRESSLY GRANTED IN WRITING INFORMATION DISCLOSED HEREON IS CONFIDENTIAL AND ALL RIGHTS PATENT AND OTHERWISE ARE RESERVED BY SOUTHCO, INC.

No. 07 PLASTIC DRAW CATCH ASSEMBLY

DATE	DRAWN	CHKD	SCALE	DRAWING NUMBER
2-10-67	ESK		1:1	J-07-10-201-12

REV	DATE	DRAWN/CHKD	DESCRIPTION	ITEM	PART NUMBER	MATERIAL	COLOR
K	22AUG2002	JPW/RJB	PRN: P2002-0593	ASSEMBLY	07-10-201-12	-	-
L	23OCT2006	AJH/MJS	PRN: P2006-1404	LATCH	07-11-201-12	THERMOPLASTIC	BLACK
M	01OCT2015	CMS/MGG	PRN: P2015-1996	KEEPER	07-12-201-12	THERMOPLASTIC	BLACK

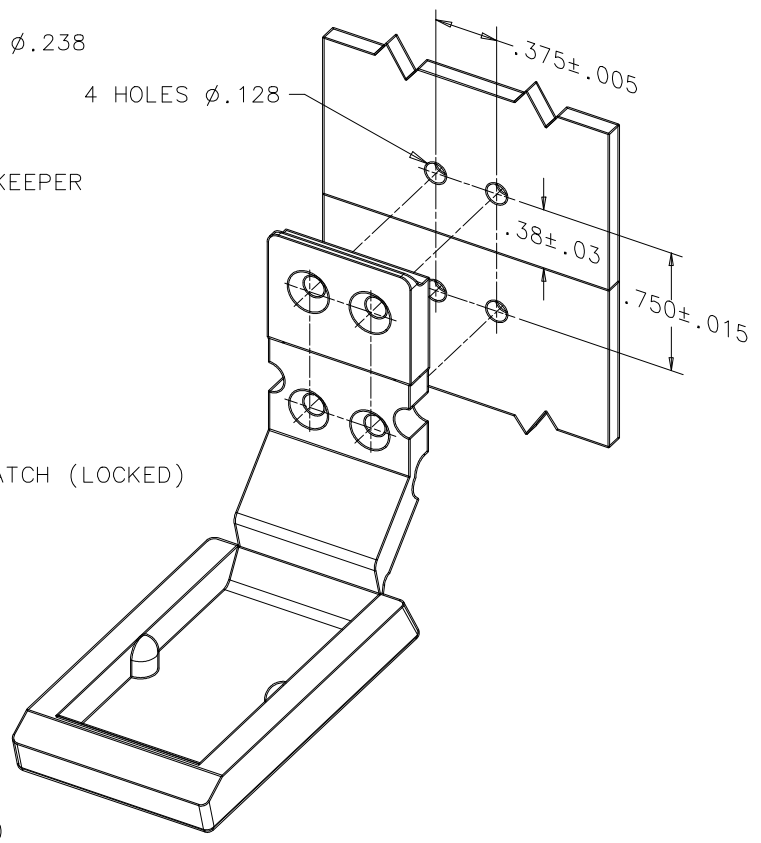
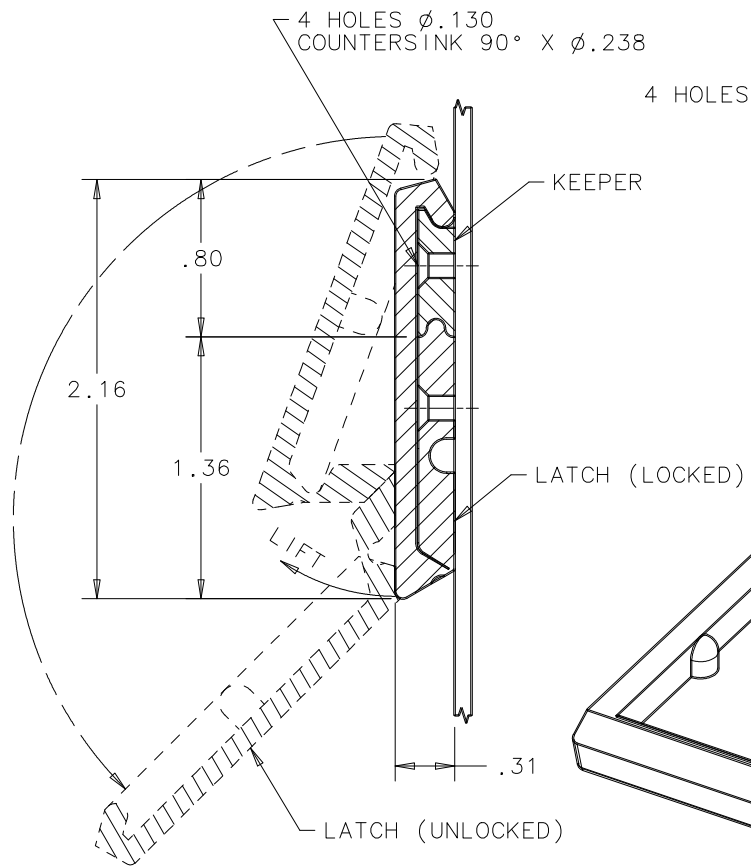
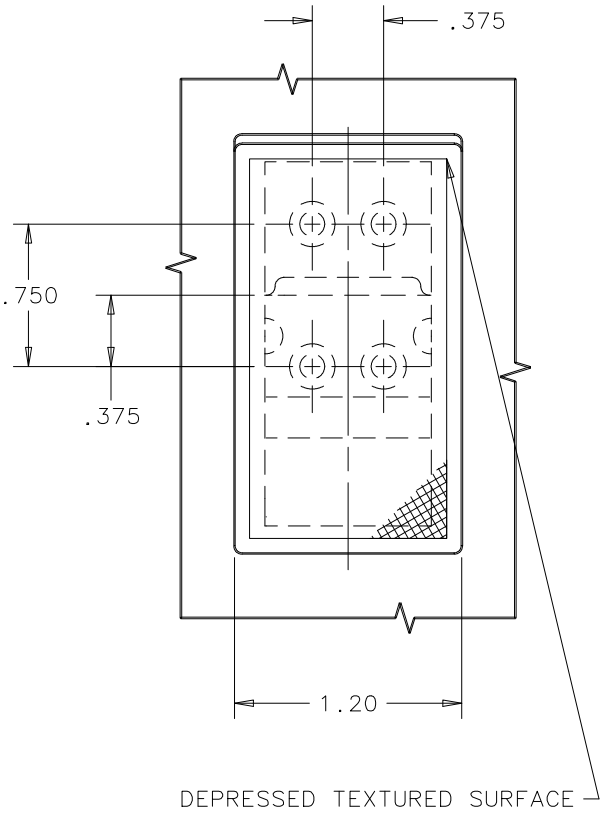
INCHES

ALL DIMENSIONS WITHOUT TOLERANCES ARE FOR REFERENCE ONLY.

THIRD ANGLE PROJECTION

A
PAPER
SIZE

- NOTES:
- A. LATCH SHIPPED UNASSEMBLED.
 - B. FOR INSTALLATION USE M3 OR No. 4 SCREWS.
 - C. MAXIMUM INSTALLATION TORQUE: 8 in·lbs



PANEL PREPARATION