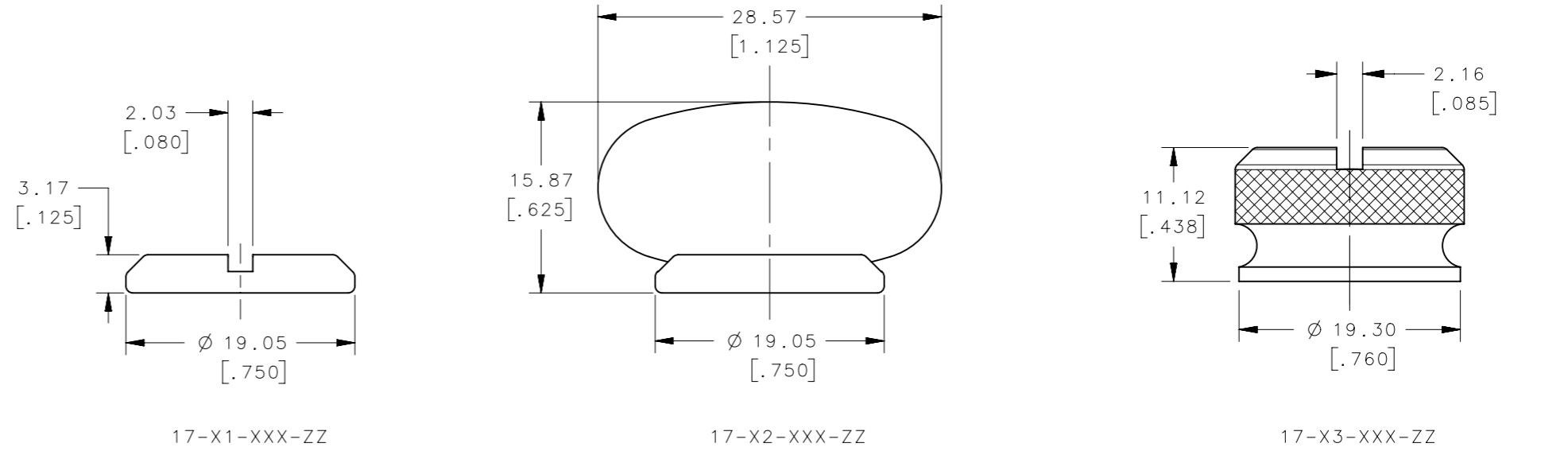


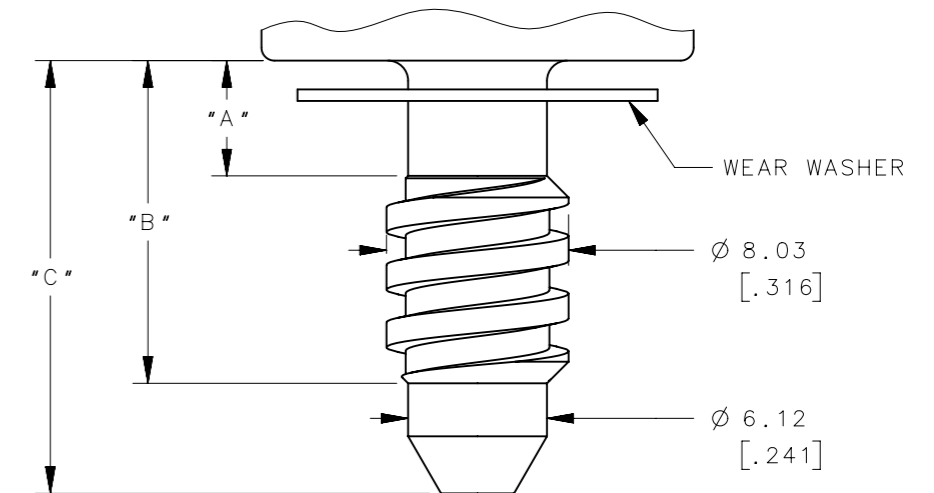
PART NUMBER	A	B	C
17-1Y-104-ZZ	5.08 [.200]	14.22 [.560]	19.07 [.751]
17-1Y-106-ZZ	7.62 [.300]		
17-1Y-204-ZZ	5.08 [.200]		
17-1Y-206-ZZ	7.62 [.300]		
17-1Y-208-ZZ	10.16 [.400]		
17-1Y-304-ZZ	5.08 [.200]	20.57 [.810]	25.42 [1.001]
17-1Y-306-ZZ	7.62 [.300]		
17-1Y-308-ZZ	10.16 [.400]		
17-1Y-310-ZZ	12.70 [.500]		
17-1Y-404-ZZ	5.08 [.200]		
17-1Y-406-ZZ	7.62 [.300]	23.75 [.935]	28.60 [1.126]
17-1Y-408-ZZ	10.16 [.400]		
17-1Y-410-ZZ	12.70 [.500]		
17-1Y-412-ZZ	15.24 [.600]		
17-1Y-414-ZZ	17.78 [.700]		
17-1Y-504-ZZ	5.08 [.200]	26.92 [1.060]	31.77 [1.251]
17-1Y-506-ZZ	7.62 [.300]		
17-1Y-508-ZZ	10.16 [.400]		
17-1Y-510-ZZ	12.70 [.500]		
17-1Y-512-ZZ	15.24 [.600]		
17-1Y-514-ZZ	17.78 [.700]	30.10 [1.185]	34.95 [1.376]
17-1Y-516-ZZ	20.32 [.800]		
17-1Y-604-ZZ	5.08 [.200]		
17-1Y-606-ZZ	7.62 [.300]		
17-1Y-608-ZZ	10.16 [.400]		
17-1Y-610-ZZ	12.70 [.500]	33.27 [1.310]	38.12 [1.501]
17-1Y-612-ZZ	15.24 [.600]		
17-1Y-614-ZZ	17.78 [.700]		
17-1Y-616-ZZ	20.32 [.800]		
17-1Y-618-ZZ	22.86 [.900]		
17-1Y-704-ZZ	5.08 [.200]	36.45 [1.435]	41.30 [1.626]
17-1Y-706-ZZ	7.62 [.300]		
17-1Y-708-ZZ	10.16 [.400]		
17-1Y-710-ZZ	12.70 [.500]		
17-1Y-712-ZZ	15.24 [.600]		
17-1Y-714-ZZ	17.78 [.700]	39.62 [1.560]	44.47 [1.751]
17-1Y-716-ZZ	20.32 [.800]		
17-1Y-718-ZZ	22.86 [.900]		
17-1Y-720-ZZ	25.40 [1.000]		
17-1Y-822-ZZ	27.94 [1.100]		
17-1Y-908-ZZ	10.16 [.400]	42.80 [1.685]	47.65 [1.876]
17-1Y-914-ZZ	17.78 [.700]		
17-1Y-918-ZZ	22.86 [.900]		
17-1Y-920-ZZ	25.40 [1.000]		
17-1Y-922-ZZ	27.94 [1.100]		
17-1Y-924-ZZ	30.48 [1.200]	42.80 [1.685]	47.65 [1.876]
17-1Y-1010-ZZ	12.70 [.500]		
17-1Y-1016-ZZ	20.32 [.800]		
17-1Y-1018-ZZ	22.86 [.900]		
17-1Y-1020-ZZ	25.40 [1.000]		
17-1Y-1024-ZZ	30.48 [1.200]		
17-1Y-1025-ZZ	31.75 [1.250]		
17-1Y-1026-ZZ	33.02 [1.300]		

REVISION HISTORY			
REV	DATE	BY	DESCRIPTION
G	04MAR2019	ASP/VK	PRN: P2019-0572

### HEAD STYLES (-<sup>1</sup>/<sub>2</sub>Y-)



MATERIAL AND FINISH (-ZZ)  
 11-STEEL, ZINC ALLOY PLATE, BRIGHT CHROMATE PLUS SEALER.  
 12-STAINLESS STEEL, PASSIVATED.  
 14-STEEL, CHROME PLATED.  
 15-STAINLESS STEEL, BLACK OXIDE.  
 27-STEEL, BLACK ORGANIC COATING.  
 38-STEEL, METALLIC FLAKE COATING PLUS SEALER.



NOTES:  
 1. FOR SCREW WITHOUT WEAR WASHER, CHANGE THE THIRD DIGIT OF THE PART NUMBER TO "2" EXAMPLE "17-~~2~~2-104-15".

THIRD ANGLE PROJECTION			<b>southco</b> <sup>®</sup> CONNECT • CREATE • INNOVATE	
MILLIMETERS [IN]				
SURFACE AREA	TOLERANCES UNLESS OTHERWISE NOTED	DESCRIPTION NO. 17 FASTENER - SCREW ASSEMBLIES		
VOLUME	ALL DIMENSIONS WITHOUT TOLERANCES ARE FOR REFERENCE ONLY.	SIZE A3	SYSTEM NX	DWG NO. J-17-1-1
PROPRIETARY ITEM	PER ASME Y14.5M-1994	DRAWN BY DMS/YGC	DATE 01MAR2013	SCALE NTS
EXCEPT FOR USES EXPRESSLY GRANTED IN WRITING, INFORMATION DISCLOSED HEREON IS CONFIDENTIAL AND ALL RIGHTS, PATENT AND OTHERWISE, ARE RESERVED BY SOUTHCO, INC.				SHEET 1 OF 1