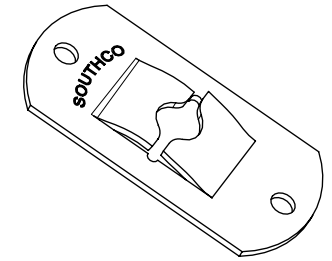
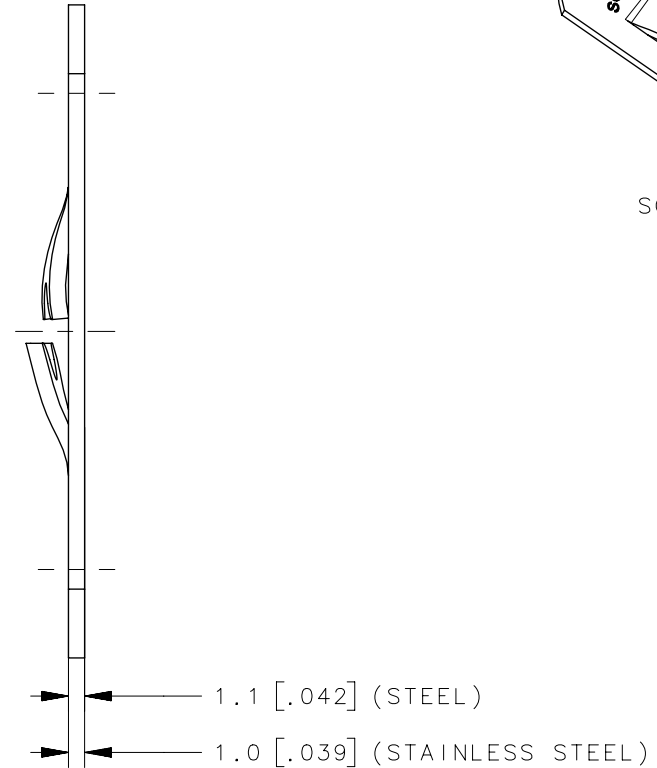
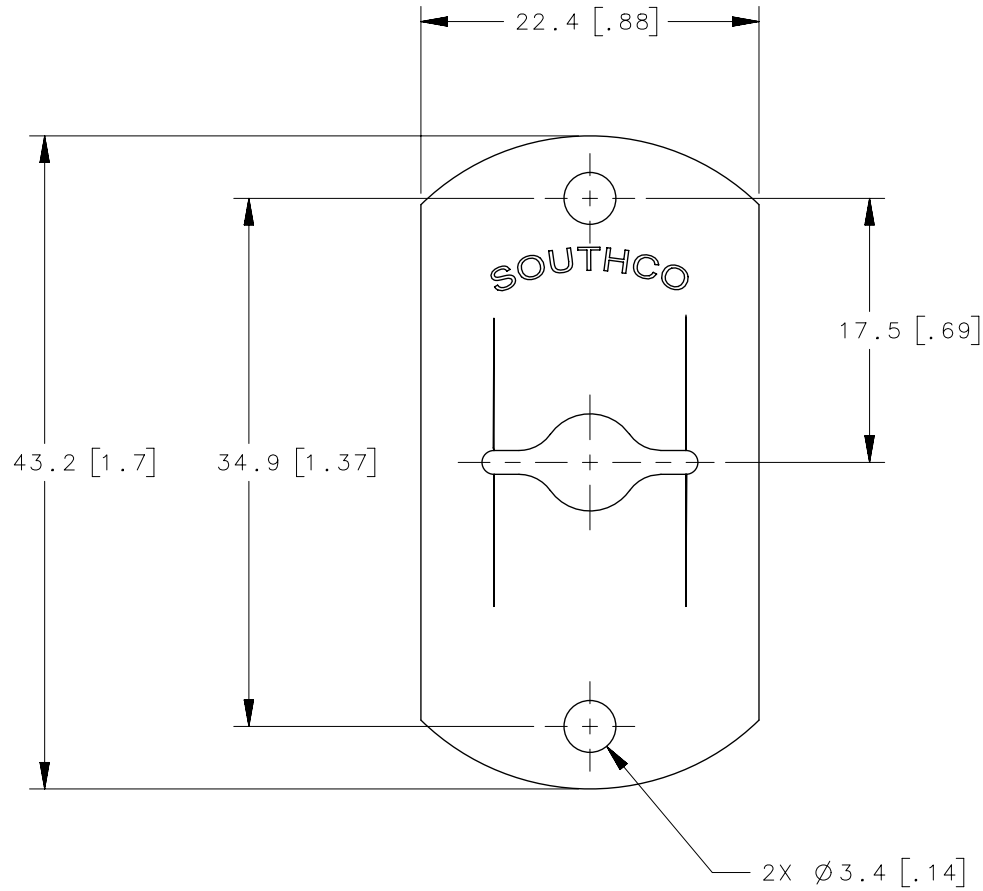


REVISION HISTORY			
REV	DATE	BY	DESCRIPTION
U	18APR2019	ZAA/CMS	PRN: P2019-1042



SCALE 1:1

17-10015-58	NO.17 FASTENER	304 STAINLESS STEEL	BLACK ORGANIC COATING
17-10015-38	NO.17 FASTENER	STEEL	SILVER ORGANIC COATING
17-10015-14	NO.17 FASTENER	304 STAINLESS STEEL	PASSIVATED
17-10015-13	NO.17 FASTENER	STEEL	GEOMET / PLUS SEALER
SOUTHCO PART NUMBER	TYPE OF COMPONENT	MATERIAL	FINISH

THIRD ANGLE PROJECTION		 CONNECT • CREATE • INNOVATE	
MILLIMETERS [IN]			
SURFACE AREA		DESCRIPTION	
VOLUME		FLAT TYPE RECEPTACLE RIVET	
PROPRIETARY ITEM <small>EXCEPT FOR USES EXPRESSLY GRANTED IN WRITING, INFORMATION DISCLOSED HEREON IS CONFIDENTIAL AND ALL RIGHTS, PATENT AND OTHERWISE, ARE RESERVED BY SOUTHCO, INC.</small>		TOLERANCES UNLESS OTHERWISE NOTED ALL DIMENSIONS WITHOUT TOLERANCES ARE FOR REFERENCE ONLY.	SIZE: A4 SYSTEM: NX DWG NO.: J-17-2-15
PER ASME Y14.5M-1994		DRAWN BY: TPS	DATE: 02AUG1960 SCALE: 2:1 SHEET: 1 OF 1