

- NOTES:
 A. TM DIAMOND SHAMROCK CORP.
 B. TIGHTENING TORQUE OF MOUNTING NUTS
 NOT TO EXCEED 25 ft-lbs.
 C. MOUNTING HEX NUT AND LOCKWASHER 4 EACH INCLUDED
 ASSEMBLED

southco

PROPRIETARY ITEM - EXCEPT FOR USES EXPRESSLY
 GRANTED IN WRITING, INFORMATION DISCLOSED
 HEREON IS CONFIDENTIAL AND ALL RIGHTS PATENT
 AND OTHERWISE ARE RESERVED BY SOUTHCO, INC.

No. 24 FASTENER HEAVY DUTY TYPE A
 ADAPTABLE FOR 3 POINT LATCH (STUD MOUNT)

DATE	DRAWN	CHKD	SCALE	DRAWING NUMBER
5-15-86	RJB		.75:1	J-24-20-312-10

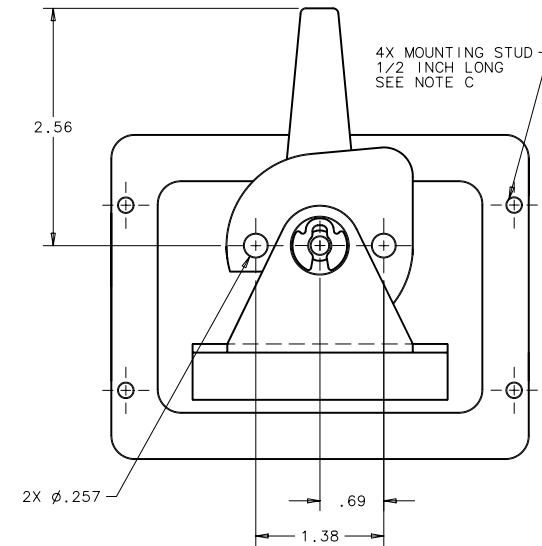
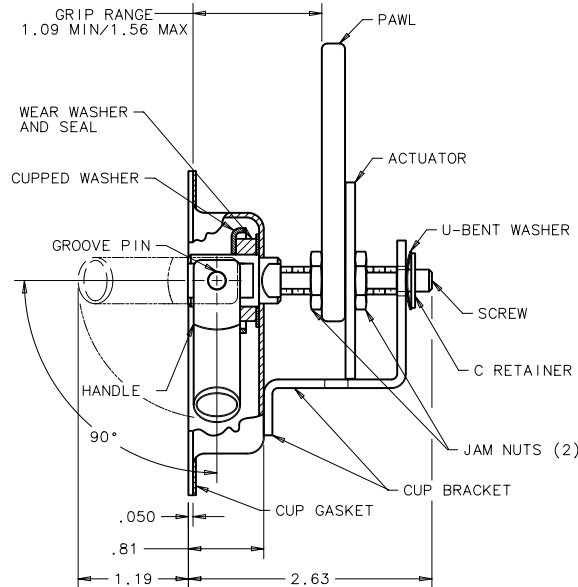
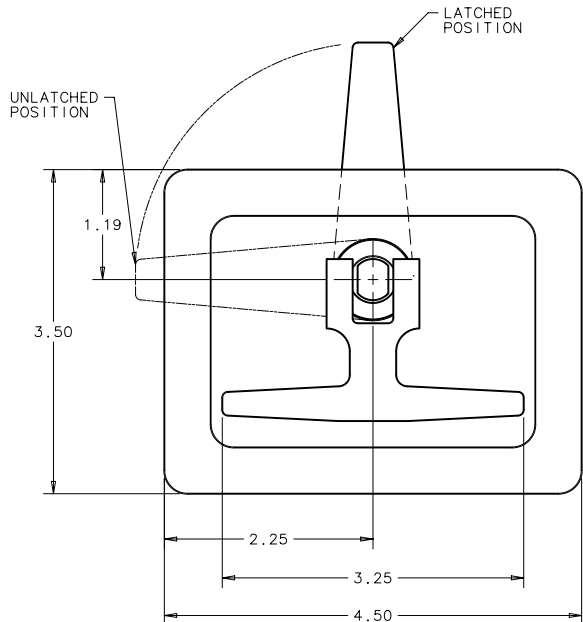
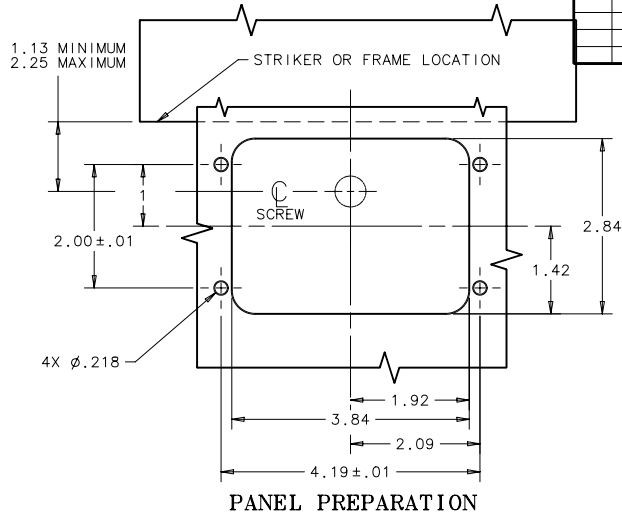
REV	DATE	DRAWN/CHKD	DESCRIPTION	ITEM	PART NUMBER	MATERIAL	FINISH
E	05MAR93	VTB	PRN:S-1-03	ASSEMBLY	24-20-312-10	-	-
F	14MAY2004	RLR/AJH	PRN:P2004-0492	GROOVE PIN	-	STEEL	ZINC PLATE PLUS BRIGHT CHROMATE
				SCREW	-	STEEL	DACROSEAL TM
				SEAL	-	NEOPRENE	BLACK
				PAWL	-	STEEL	DACROSEAL TM
				JAM NUT (2)	-	STEEL	ZINC PLATE CHROMATE PLUS SEALER
				ACTUATOR	-	STEEL	DACROSEAL TM
				U BENT WASHER	-	STEEL	ZINC PLATE PLUS YELLOW CHROMATE DIP
				C RETAINER	-	STEEL	ZINC PLATE PLUS YELLOW CHROMATE DIP
				WEAR WASHER	-	NYLON	BLACK
				CUP GASKET	-	NEOPRENE	BLACK
				HANDLE	-	DIE CAST ZINC	DACROTIZED TM PLUS SEALER
				CUP WASHER	-	STEEL	DACROSEAL TM
				CUP BRACKET	-	STEEL	DACROTIZED TM PLUS SEALER
				HEX NUT (4)	-	STEEL	DACROSEAL TM
				LOCKWASHER (4)	-	STEEL	ZINC PLATE PLUS YELLOW CHROMATE DIP

INCHES

ALL DIMENSIONS WITHOUT TOLERANCES ARE FOR REFERENCE ONLY.

THIRD ANGLE PROJECTION

B PAPER SIZE



THESE ASSEMBLIES ARE NON-REPAIRABLE
 ITEMS AND COMPONENTS ARE NOT AVAILABLE
 AS REPLACEMENT OR REPAIR PARTS.