



SOUTHCO No.27 ADJUSTABLE PAW. FASTENER - ASSEMBLY  
LOW PROFILE, SOCKET HEAD, TYPE A

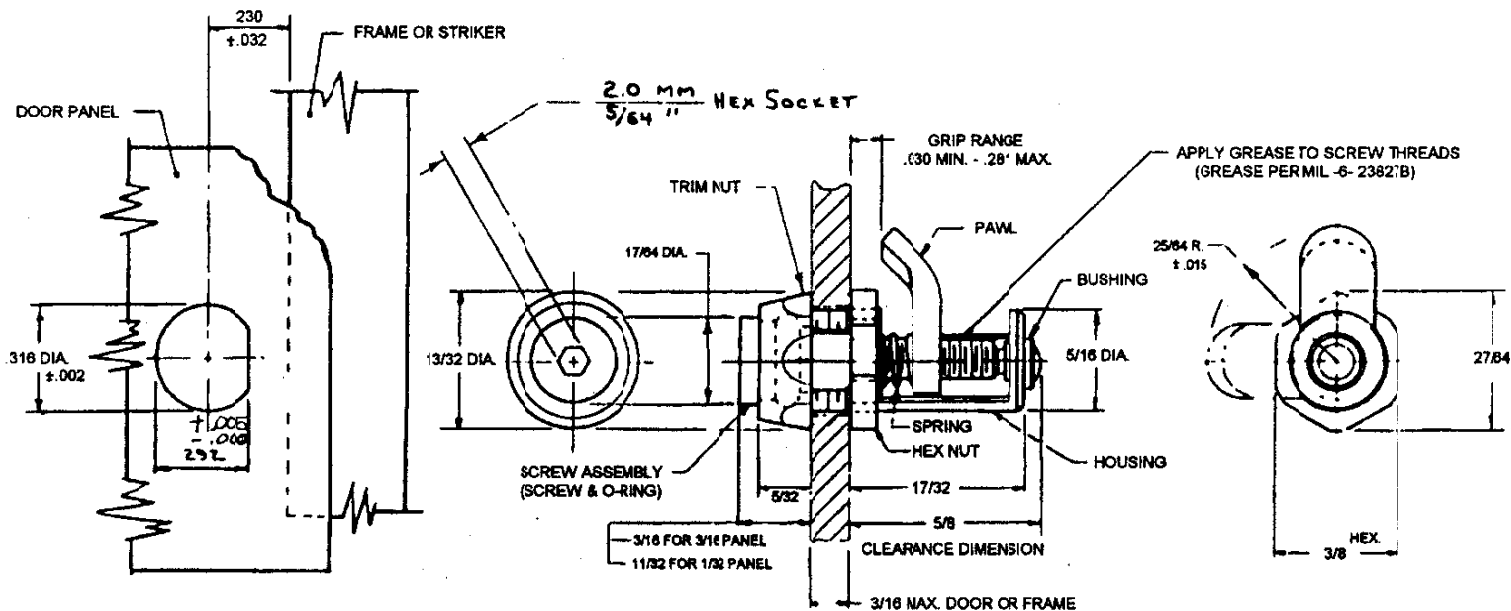
DATE	DRAWN	CHKD	SCALE	DRAWING NUMBER
8-17-88	GJC		N.T.S.	J-27-10-701-10

REV. LET.	DATE	BY-CHKD	REVISIONS	ITEM	PART No.	MATERIAL	FINISH	RS	DATE	APP.
A	3-1-89	JAC	PRN 27-43	ASSEMBLY	27-10-701-10			A		
B	4-11-89	DWF	PRN 27-46	SCREW ASSEMBLY	27-16-701-10	SEE NOTE "A"	SEE NOTE "A"	B		
C	8-15-89	ESK	PRN-27-48	HOUSING	27-0-796-15	STEEL	ZINC PLATE, CHROMATE PLUS SEALER	C		
D	11-13-89	PKG	PRN: 27-48B	PAWL	27-13-101-15	STEEL	" " "	D		
E	4 DEC 92	JGK	PRN: 27-59	SPRING	27-14-102-24	STAINLESS STEEL	PASSIVATE			
F	18 JAN 93	JGK	PRN: 14-75	TRM NUT	27-02-403-11	STEEL	ZINC PLATE, CHROMATE PLUS SEALER			
G	01 DEC 96	JAC	PRN: S-106A	HEX NUT	27-03-301-24	STAINLESS STEEL	PASSIVATE			
				BUSHING	27-01-301-15	BRASS	NATURAL			

THESE ASSEMBLES ARE NONREPAIRABLE ITEMS AND COMPONENTS ARE NOT AVAILABLE AS REPLACEMENT OR REPAIR PARTS.

OUTER PANEL THICKNESS PERMITTING, MAX. GRIP MAY BE EXTENDED WHERE NECESSARY BY ADJUSTING HEX NUT TOWARD SCREW HEAD.

NOTE "A" - STEEL, ZINC PLATE, CHROMATE PLUS SEALER.  
"O" RING - SYNTHETIC RUBBER, NATURAL



MOUNTING INSTRUCTIONS

PUNCH SHAPED HOLE IN PANEL, LOCATED AS SHOWN. INSERT FASTENER FROM BACK SIDE OF PANEL, MAKING SURE HEX NUT IS AT BACK. EDGE OF HOUSING CUT OUT. SLP TRIM NUT OVER SCREW AND RUN DOWN FINGER TIGHT AGAINST PANEL WITH PAWL IN LOCKED POSITION AND HOUSING PROPERLY ORIENTED, HOLD HOUSING IN POSITION AND TIGHTEN HEX NUT HARD AGAINST PANEL WITH 3/8 OPEN-END WRENCH

PROPRIETARY ITEM

EXCEPT FOR USES EXPRESSLY GRANTED IN WRITING, INFORMATION DISCLOSED HEREON IS CONFIDENTIAL AND ALL RIGHTS, PATENT AND OTHERWISE ARE RESERVED BY SOUTHCO, INC

322 313 315

APR 29 1999

TOLERANCE UNLESS OTHERWISE NOTED  
DECIMALS : .020 FRACTIONS : 1/32 ANGLES : 2°

DRAWING NUMBER

J-27-10-701-10