

southco®

PROPRIETARY ITEM - EXCEPT FOR USES EXPRESSLY GRANTED IN WRITING INFORMATION DISCLOSED HEREON IS CONFIDENTIAL AND ALL RIGHTS PATENT AND OTHERWISE ARE RESERVED BY SOUTHCO, INC.

SOUTHCO DRIVE RIVET
1/8 DIA. UNIVERSAL HEAD-ALUMINUM RIVET

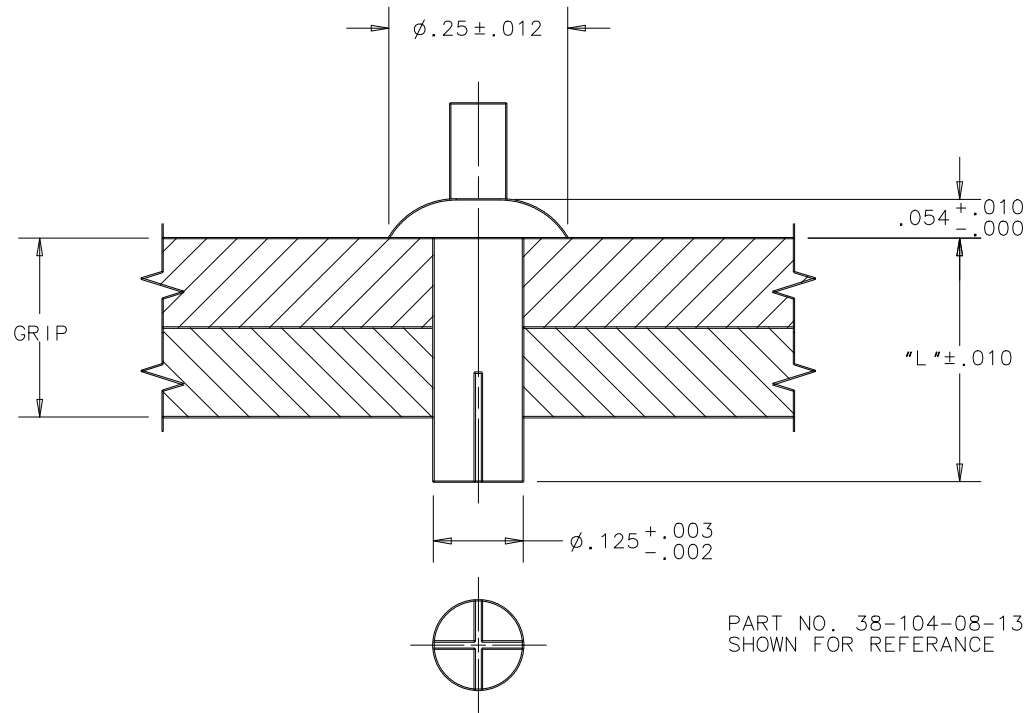
DATE: 3-30-56
 DRAWN: ASK
 CHKD: JKB
 SCALE: 4:1

DRAWING NUMBER
J-38-104-13

REV.	DATE	DRAWN	REVISION	NOMINAL GRIP	ACTUAL GRIP		"L"	PART NO.
					MIN	MAX		
A	3-30-64	ESK/TPS	PIN WAS TYPE 303 STAINLESS STEEL	.031	.015	.046	.156	38-104-01-13
B	5-11-72	ESK/	ADDED PT. NO. 38-104-01-13	.063	.046	.078	.156	38-104-02-13
C	2-6-76	SJM/	DRAWING NO. WAS J-38-71	.094	.078	.109	.187	38-104-03-13
D	5-17-77	PEK/	PRN: 120-14	.125	.109	.140	.218	38-104-04-13
E	9-2-82	SJM/	PRN: 38-104-1 ⁴ / ₁₆ -13	.156	.140	.171	.250	38-104-05-13
F	9-11-91	GWF/	PRN: 38-163	.188	.171	.203	.281	38-104-06-13
G	05MAR93	JC/	PRN: S-1-03	.219	.203	.234	.312	38-104-07-13
H	20SEP99	JHS/ESK	PRN: 38-282	.250	.234	.265	.343	38-104-08-13
I	19MAY2004	AAB/RLR	PRN: P2004-0525	.281	.265	.296	.375	38-104-09-13
J	26JUN2007	VSR/VGV	PRN: P2007-0814	.313	.296	.328	.406	38-104-10-13
K	13AUG2008	CW/MJS	PRN: P2008-0909	.344	.328	.359	.437	38-104-11-13
L	21JAN2021	CMS/CTG	PRN: P2020-0155	.375	.359	.390	.468	38-104-12-13
				.406	.390	.421	.500	38-104-13-13
				.438	.421	.453	.531	38-104-14-13
				.500	.484	.515	.588	38-104-16-13
				.810	.796	.828	.906	38-104-26-13

ALL DIMENSIONS WITHOUT TOLERANCES ARE FOR REFERENCE ONLY.

THIRD ANGLE PROJECTION
 A4 PAPER SIZE



PART NO. 38-104-08-13
 SHOWN FOR REFERENCE