

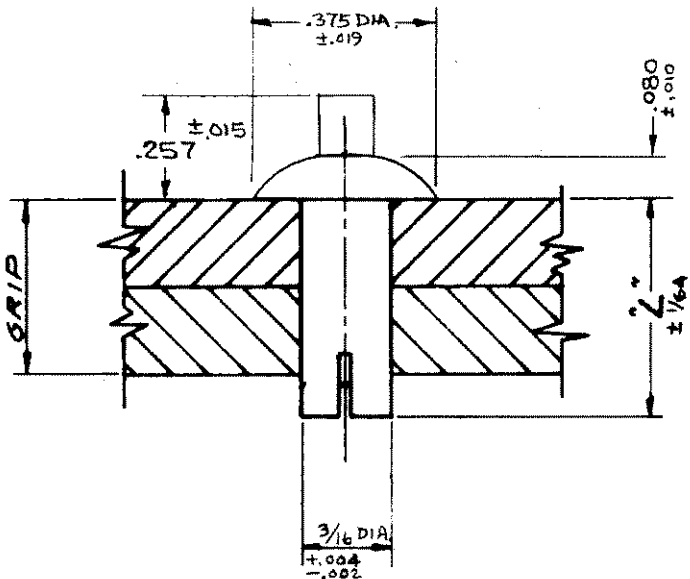


**SOUTHCO NO 38 DRIVE RIVETS**  
 3/16 DIA - UNIVERSAL HEAD - ALUMINUM

| DATE     | DRAWN | CHKD | SCALE  | DRAWING NUMBER |
|----------|-------|------|--------|----------------|
| 10/15/86 | JGK   |      | N.T.S. | J-38-106-16A   |

| REV. LET. | DATE    | BY  | CHKD. | REVISIONS   |
|-----------|---------|-----|-------|---|
| A         | 9-10-91 | JNV |       | PRN 38-163  |
| B         | 12-9-92 | BTW |       | ADDED PIN HEIGHT ABOVE HEAD .156 ± .020   |
| C         | 3-2-93  | JGK |       | PRN: 38-168; DELETED PIN HT. ABOVE HD. (.156 ± .020) ADDED. BU HT. FROM UNDER HD. |
| D         | 13MAR96 | AJH |       | PRN: 10-21  |

| R.S. | DATE | APP. |
|------|------|------|
| A    |      |      |
| B    |      |      |
| C    |      |      |
| D    |      |      |



INSTALLATION HOLE DIA. - .191

PROPRIETARY ITEM  
 EXCEPT FOR USES EXPRESSLY GRANTED  
 IN WRITING, INFORMATION DISCLOSED  
 HEREON IS CONFIDENTIAL AND ALL  
 RIGHTS, PATENT AND OTHERWISE, ARE  
 RESERVED BY SOUTHCO, INC.

| RIVET MATERIAL & FINISH |             |       |        | 2117 ALUMINUM - NATURAL |                         |
|-------------------------|-------------|-------|--------|-------------------------|-------------------------|
| PIN MATERIAL & FINISH   |             |       |        | 5556 ALUMINUM NATURAL   | 7075 ALUMINUM NATURAL   |
| NOMINAL GRIP            | ACTUAL GRIP |       | "L"    | ASSEMBLED RIVET PART NO | ASSEMBLED RIVET PART NO |
|                         | MIN.        | MAX.  |        |                         |                         |
| 1/16                    | .047        | .140  | 1/4    | 38-106-02-16            |                         |
| 1/8                     | .078        | .171  | 9/32   | 04                      |                         |
| 3/16                    | .140        | .234  | 11/32  | 06                      |                         |
| 1/4                     | .203        | .296  | 13/32  | 08                      |                         |
| 5/16                    | .265        | .359  | 15/32  | 10                      |                         |
| 3/8                     | .328        | .421  | 17/32  | 12                      |                         |
| 7/16                    | .390        | .484  | 19/32  | 14                      |                         |
| 1/2                     | .453        | .546  | 21/32  | 16                      |                         |
| 9/16                    | .515        | .609  | 23/32  | 18                      |                         |
| 5/8                     | .578        | .671  | 25/32  | 20                      |                         |
| 11/16                   | .640        | .734  | 27/32  | 22                      |                         |
| 3/4                     | .703        | .796  | 29/32  | 24                      |                         |
| 13/16                   | .765        | .859  | 31/32  | 26                      |                         |
| 7/8                     | .828        | .921  | 1 1/32 | 28                      |                         |
| 15/16                   | .890        | .984  | 1 3/32 | 38-106-30-16            |                         |
| 1                       | .953        | 1.046 | 1 5/32 | 38-106-32-16            |                         |

DRAWING NUMBER  
**J-38-106-16A**