

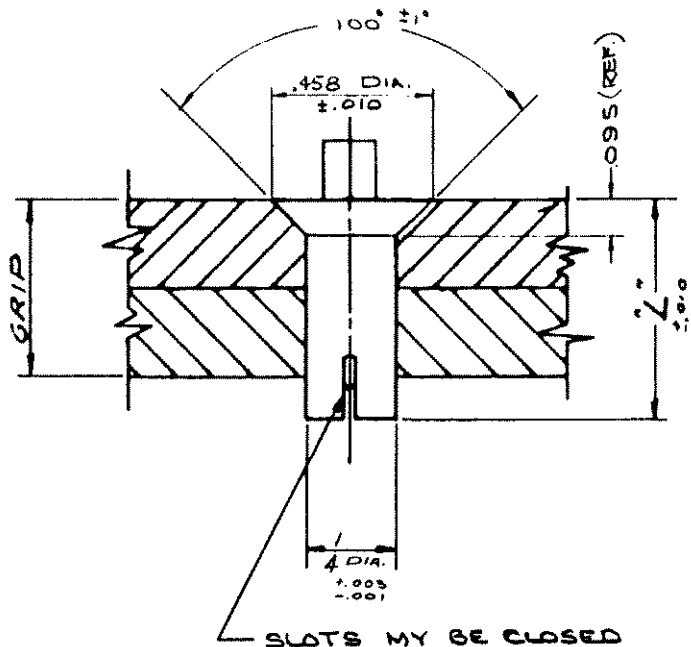


SOUTHCO DRIVE RIVETS - ALUMINUM  
1/4 DIA. 100° C'SK. HEAD

DATE	DRAWN	CHKD	SCALE	DRAWING NUMBER
2-14-90	JSS		N.T.S.	J-38-508-16 A

REV. LET.	DATE	BY CHKD.	REVISIONS
A	4-22-91	JHV	PRN: 38-159
B	9-11-91	GWF	PRN: 38-163
C	4-20-92	JGK	PRN: 38-166
D	5 APR 93	JAR	PRN: S-1-03
E	27 MAR 98	AJH	PRN: 10-21
F	20 NOV 97	PJK KCW	PRN: 38-249
G	19 APR 2021	CMS/CTG	PRN: P2021-0749

RIVET MATERIAL & FINISH				ALUMINUM ~ NATURAL	
PIN MATERIAL & FINISH				ALUMINUM NATURAL	
NOMINAL GRIP	ACTUAL GRIP		"L"	ASSEMBLED RIVET PART NO	
	MIN	MAX			
1/16	.047	.140	1/4		38-508-02-16
1/8	.078	.171	9/32	04	
3/16	.140	.234	11/32	06	
1/4	.203	.296	13/32	08	
5/16	.265	.359	15/32	10	
3/8	.328	.421	17/32	12	
7/16	.390	.484	19/32	14	
1/2	.453	.546	21/32	16	
9/16	.515	.609	23/32	18	
5/8	.578	.671	25/32	20	
11/16	.640	.734	27/32	22	
3/4	.703	.796	29/32	24	
13/16	.765	.859	31/32	26	
7/8	.828	.921	1 1/32	28	
15/16	.890	.984	1 3/32	30	
1 1/16	.953	1.046	1 5/32	32	
1 1/8	1.015	1.109	1 7/32	34	
1 1/4	1.078	1.171	1 9/32		38-508-36-16
1 3/8	1.140	1.234	1 11/32		38-508-38-16
1 1/2	1.203	1.296	1 13/32		
1 5/8	1.265	1.359	1 15/32		
1 3/4	1.328	1.390	1 17/32		
1 7/8	1.390	1.421			38-508-43-16



PROPRIETARY ITEM - EXCEPT FOR USES EXPRESSLY GRANTED IN WRITING, INFORMATION DISCLOSED HEREON IS CONFIDENTIAL AND ALL RIGHTS, PATENT AND OTHERWISE, ARE RESERVED BY SOUTHCO, INC.

DRAWING NUMBER  
J-38-508-16 A