



SOUTHCO No.44 FASTENER ~ SPECIAL ASSEMBLY
TYPE A

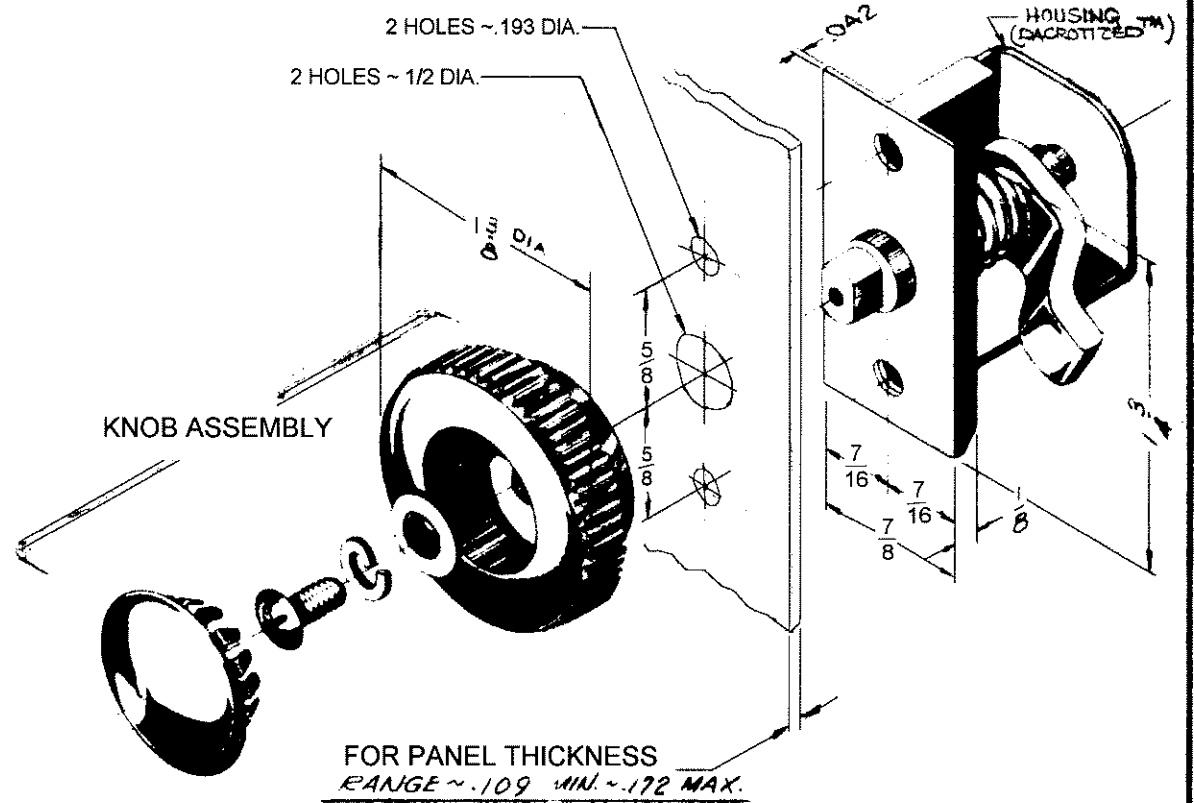
DATE	DRAWN	CHKD	SCALE	DRAWING NUMBER
3-16-56	A.S.K.	MRT	N.T.S.	J-44-14

REV. LET	DATE	BY	CHK'D
A	10-23-74	TEK	
B	5-17-77	ESH	
C	8-29-77	ESH	
D	11-12-80	ESH	
E	2-1-82	HAR	
F	11DEC92	YSS	
G	5 MAR 93	JRR	
H	02APR96	RJB	

REV.	REVISION
A	PRN-44-03
B	PRN-120-14
C	PRN-44-27
D	PRN-44-43
E	PRN 5-1-01
F	PRN:14-75
G	PRN: 5-1-03
H	PRN:44-119

GRIP RANGE	ASSEMBLY PART NUMBER
D ¹ TO B ³	44-99-119-11
	44-99-119-21
	44-99-119-31
D ^{1/8} TO 3/4	44-99-119-12
	44-99-119-22
	44-99-119-32
A ³ TO B ¹	44-99-119-13
	44-99-119-23
	44-99-119-33

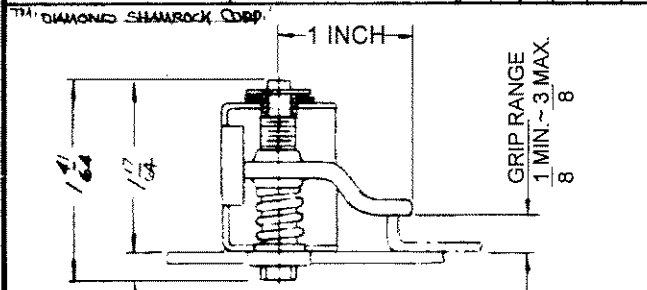
CONSISTS OF ~	MATERIAL & FINISH				
	STEEL - ZINC PLATE	STEEL - ZINC PLATE	STEEL - ZINC PLATE	THERMOPLASTIC BLACK	THERMOPLASTIC NATURAL
SUBASSEMBLY	44-99-119-41	44-99-119-42	44-99-119-43	4-3-17-3	4-4-17-3
SUBASSEMBLY					
SUBASSEMBLY					
KNOB ASSEMBLY					
KNOB ASSEMBLY					
KNOB ASSEMBLY					



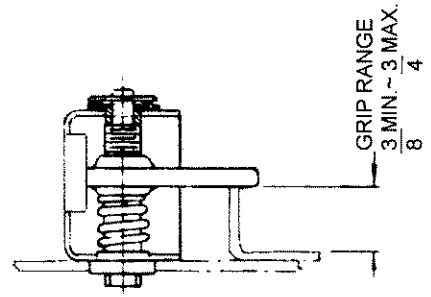
THESE ASSEMBLIES ARE NON-REPAIRABLE ITEMS AND COMPONENTS ARE NOT AVAILABLE AS REPLACEMENT OR REPAIR PARTS.

PROPRIETARY ITEM

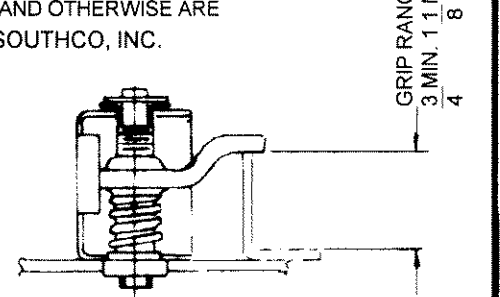
EXCEPT FOR USES EXPRESSLY GRANTED IN WRITING INFORMATION DISCLOSED HEREON IS CONFIDENTIAL AND ALL RIGHTS PATENT AND OTHERWISE ARE RESERVED BY SOUTHCO, INC.



SUBASSEMBLY PART No. 44-99-119-41



SUBASSEMBLY PART No. 44-99-119-42



SUBASSEMBLY PART No. 44-99-119-43

DRAWING NUMBER
J-44-14