

REV	DATE	DRAWN/CHKD	DESCRIPTION	PART NUMBER	PANEL THICKNESS		*B*	*L*	SCREW PROJECTION			*T*
					A MIN.	*A* MAX.			*P-1*	*P-2*		
A	31OCT97	MDM	PRN: 47-272	47-WO-3X2-Y2					1.4	6.2	19.05	
B	19MAR98	MDM	PRN: 47-299	47-W1-3X2-Y2					3.1	7.9	20.62	
C	01JUL99	MJS	PRN: 47-452	47-W2-3X2-Y2	1.5	3.2	0.6	1.8	4.1	8.9	22.22	
D	18JUL2005	CSC/MDY	PRN: P2005-0746	47-W3-3X2-Y2					6.1	10.9	23.80	
E	28MAR2006	RLR/MDY	PRN: P2006-0276	47-WO-3X4-Y2					3.1	7.9	20.62	
F	18OCT2022	CMS/PSP	PRN: P2022-1823	47-W1-3X4-Y2	3.2	4.8	1.6	3.4	4.1	8.9	22.22	
				47-W2-3X4-Y2					6.1	10.9	23.80	
				47-W2-3X6-Y2	4.8	6.4	3.2	5	4.1	8.9	22.22	
				47-W3-3X6-Y2					6.1	10.9	23.80	
				47-W3-3X8-Y2	6.4	7.9	4.7	6.6	6.1	10.9	23.80	

MILLIMETERS

ALL DIMENSIONS WITHOUT TOLERANCES ARE FOR REFERENCE ONLY.

THIRD ANGLE PROJECTION

A3 PAPER SIZE

MATERIAL AND FINISH:

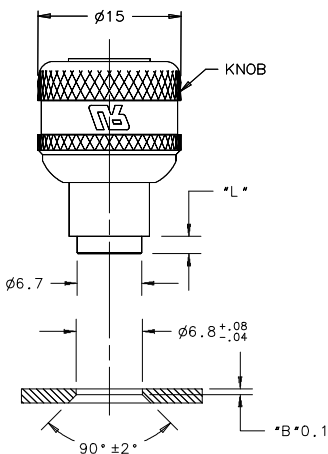
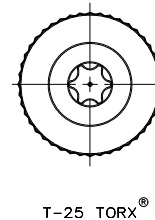
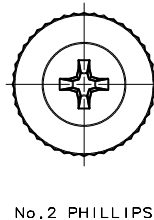
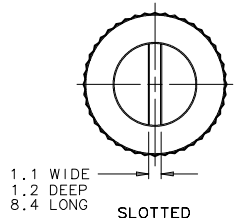
KNOB: ALUMINUM, NATURAL OR BLACK ORGANIC COATING.
SCREW: 1008 CASE HARDENED STEEL, ZINC PLATE CHROMATE PLUS SEALER OR BLACK ORGANIC COATING.
FERRULE: ALUMINUM, NATURAL
SPRING: 302 STAINLESS STEEL, PASSIVATED. RATCHET MECHANISM: HARDENED STEEL, BLACK OXIDE.

'W' THREAD	'X' SCREW RECESS	'Y' FINISH ON KNOB & SCREW
1- 8-32	0- SLOTTED	2- NATURAL (BRIGHT)
8- M4	2- PHILLIPS	6- BLACK
	4- TORX®	

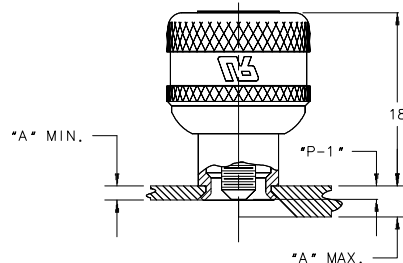
INSTALLATION INSTRUCTIONS:

1. PREPARE HOLE WITH COUNTERSINK ACCORDING TO THE REQUIRED *B* DIMENSION. RECOMMENDED MIN. DISTANCE FROM EDGE OF PANEL TO THE CENTERLINE OF THE HOLE IS 12.
2. INSERT FASTENER AND FLARE INTO COUNTERSUNK HOLE WITH INSTALLATION TOOL PART No. 47-108 OR 29-47-504-10.
3. HAND TIGHTEN FIRMLY TO ENGAGE THE RATCHET MECHANISM.

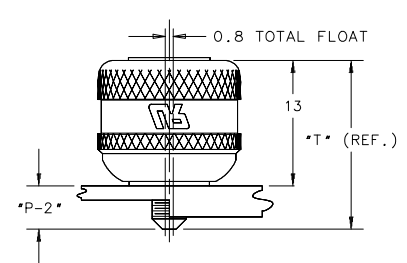
SCREW RECESS STYLES



PANEL PREPARATION



UNFASTENED



FASTENED