

REV	DATE	DRAWN/CHKD	DESCRIPTION	PART NUMBER	SCREW PROJECTION		PANEL THICKNESS		B	L
					P-1	P-2	A, MIN	A, MAX		
A	13FEB2004	DLH/AJH	PRN: P2004-0148	47-80-1X1-YZ	0.8	4.0				
B	08MAR2004	DLH/AJH	PRN: P2004-0246	47-81-1X1-YZ	2.5	5.7	0.8	1.5	0.4	1
C	30OCT2006	AJH/MDY	PRN: P2006-1511	47-82-1X1-YZ	4.0	7.2				
D	22NOV2013	CMS/TVA	PRN: P2013-2327	47-83-1X1-YZ	5.6	8.8				
				47-80-1X2-YZ	1.5	4.8				
				47-81-1X2-YZ	3.3	6.4	1.5	2.5	0.4	1.8
				47-82-1X2-YZ	4.8	7.9				
				47-83-1X2-YZ	6.4	9.4				
				47-80-1X3-YZ	2.5	5.7				
				47-81-1X3-YZ	4.0	7.2	2.5	4	0.8	2.6
				47-82-1X3-YZ	5.6	8.8				
				47-80-1X5-YZ	4.0	7.2				
				47-81-1X5-YZ	2.5	5.7	4	5.6	2.4	4.2
				47-80-1X7-YZ	5.6	8.8	5.6	7.1	4	5.8

MILLIMETERS

ALL DIMENSIONS WITHOUT TOLERANCES ARE FOR REFERENCE ONLY.

THIRD ANGLE PROJECTION

A3 PAPER SIZE

MATERIAL AND FINISH:

KNOB: 6000 SERIES ALUMINUM, NATURAL OR BLACK POWDER COATED

SCREW: 400 SERIES STAINLESS STEEL, PASSIVATED; OR HARDENED CARBON STEEL, ZINC PLATE, CHROMATE PLUS SEALER (SEE "Z" TABLE) (NOTE: KNOB AND TOP OF SCREW AVAILABLE WITH POWDER COATING; SEE "Y" TABLE)

FERRULE: 6000 SERIES ALUMINUM, NATURAL

SPRING: 300 SERIES STAINLESS STEEL, PASSIVATED

"X" SCREW RECESS

- 0 - SLOTTED
- 2 - No.1 PHILLIPS
- 4 - T10 TORX
- 6 - T10 TORX/SLOT COMBINATION
- 8 - No.1 PHILLIPS/SLOT COMBINATION

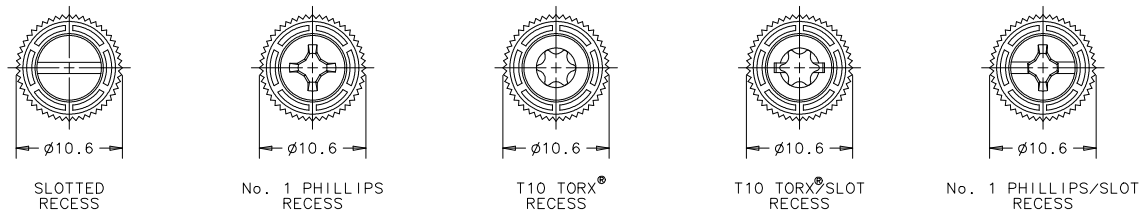
"Y" FINISH ON KNOB & SCREW HEAD

- 1 - BRIGHT
- 4 - CUSTOM COLOR. SEE J-47-0-3 FOR ADDITIONAL SUFFIX
- 5 - BLACK POWDER COATED

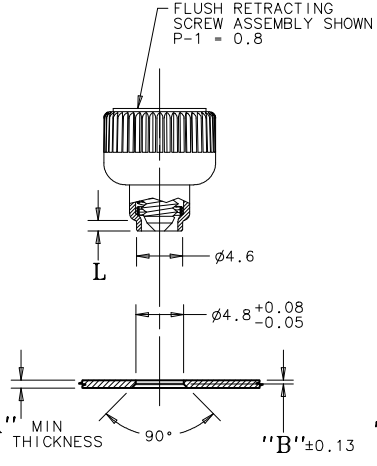
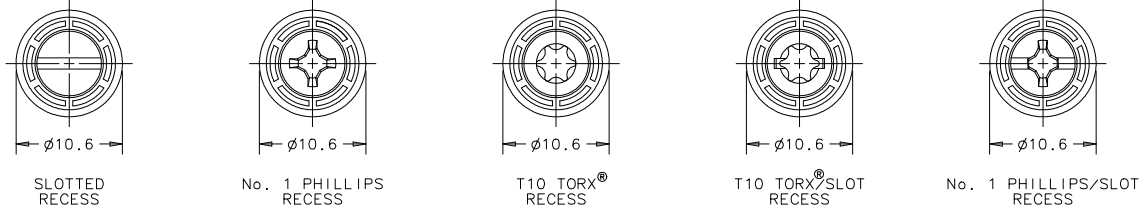
"Z" KNOB TYPE AND SCREW MATERIAL

KNOB	SCREW MATERIAL	RECESS	
		SLOTTED TORX PHILLIPS/SLOT	TORX/SLOT
KNURLED	STAINLESS STEEL	0	N/A
SMOOTH	STAINLESS STEEL	1	N/A
KNURLED	STEEL	4	0
SMOOTH	STEEL	5	1

KNURLED KNOBS

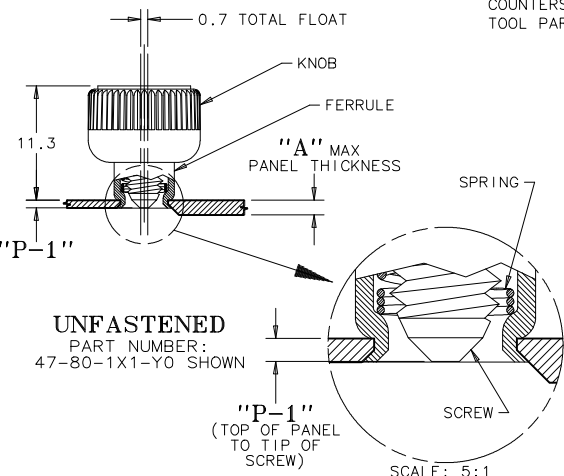


SMOOTH KNOBS



PANEL PREPARATION
PART NUMBER:
47-80-1X1-Y0 SHOWN

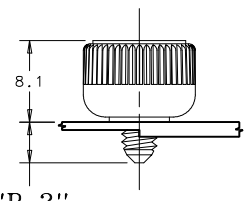
NOTE: KNOB AND SCREW ARE SPRING LOADED OUTWARD, AS SHOWN BELOW



UNFASTENED
PART NUMBER:
47-80-1X1-Y0 SHOWN

TO INSTALL FASTENER:

1. DRILL, THEN COUNTERSINK ACCORDING TO THE REQUIRED "B" DIMENSION.
2. INSERT FASTENER AND FLARE INTO COUNTERSINK WITH INSTALLATION TOOL PART NUMBER 47-104.



FASTENED
PART NUMBER:
47-80-1X1-Y0 SHOWN

SCALE: 5:1