

REV	DATE	DRAWN/CHKD	DESCRIPTION
A	23OCT2002	AJH/VNI	PRN: P2002-0826
B	21FEB2003	AJH/CHW	PRN: P2003-0131
C	11AUG2003	DLH/AJH	PRN: P2003-0679
D	26MAR2004	AAB/RLR	PRN: P2004-0309

SCREW RECESS	PART NUMBER	SCREW PROJECTION		PANEL THICKNESS	
		P-1	P-2	MIN	MAX
No. 2 PHILLIPS/SLOT	4C-PS-M4-1P0-KEEE	0.5	5.6	0.9	-
	4C-PS-M4-2P0-KEEE	2	7.1		
T25 TORX®/SLOT	4C-TS-M4-1P0-KEEE	0.5	5.6	0.9	-
	4C-TS-M4-2P0-KEEE	2	7.1		

MILLIMETERS	
MIN	MAX

ALL DIMENSIONS WITHOUT TOLERANCES ARE FOR REFERENCE ONLY.

THIRD ANGLE PROJECTION
B PAPER SIZE

MATERIAL AND FINISH:

KNOB: PC/ABS UL94 VO RATED, FLAME RETARDANT; TRIARYLPHOSPHATE (DOES NOT CONTAIN BROMINATED, CHLORINATED, OR HALOGENATED ADDITIVES).

SCREW: HEAT TREATED LOW CARBON STEEL
ZINC PLATE, CHROMATE PLUS SEALER

STANDOFF: LOW CARBON STEEL; ZINC PLATE, CHROMATE PLUS SEALER

SPRING: 300 SERIES STAINLESS STEEL, PASSIVATED

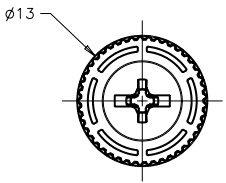
"EEE" KNOB COLOR

000 - BLACK

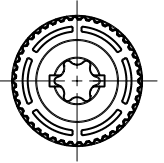
FOR ADDITIONAL COLORS SEE J-47-0-3

NOTES:

- A. GATE NOT ORIENTED WITH RECESS OR FRAME BREAK.
- B. FLASH HEIGHT GREATER THAN 0.3 NOT ACCEPTABLE.
- C. SURFACE IMPERFECTIONS: INSPECT PARTS FROM 0.6 METERS FOR 3 SECONDS. FOUR SURFACE IMPERFECTIONS MAX PER PART. SURFACE IMPERFECTIONS NO LARGER THAN 2.3mm IN DIAMETER, HEIGHT, OR WIDTH.
- D. KNOB AND SCREW ARE SPRING LOADED OUTWARD, AS SHOWN BELOW.



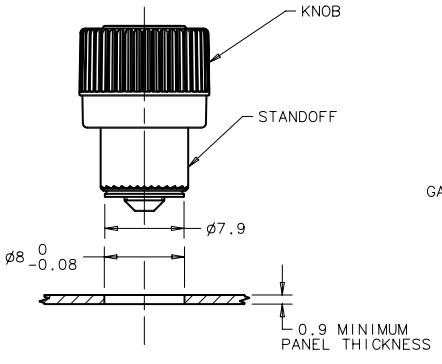
No. 2 PHILLIPS/SLOT RECESS



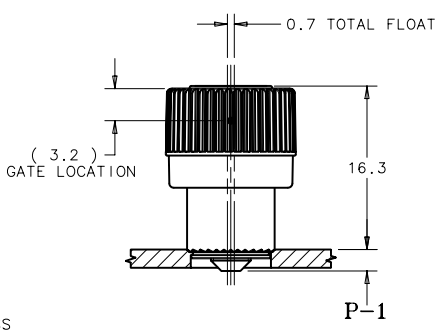
T25 TORX®/SLOT RECESS

TO INSTALL FASTENER:

1. DRILL OR PUNCH HOLE AS SHOWN BELOW.
2. PLACE FERRULE INTO INSTALLATION HOLE.
3. PROVIDE SOLID BACK-UP BEHIND HOLE WITH CLEARANCE HOLE FOR SCREW AS SHOWN BELOW.
4. PRESS PART INTO PANEL UNTIL RECOMMENDED LOAD IS APPLIED.
5. PUNCH CANNOT TOUCH PLASTIC DURING INSTALLATION.

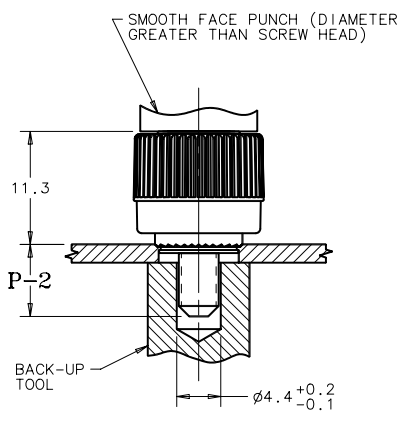


PANEL PREPARATION



PART NUMBER: 4C-PS-M4-2P0-KEEE SHOWN

UNFASTENED



FASTENED