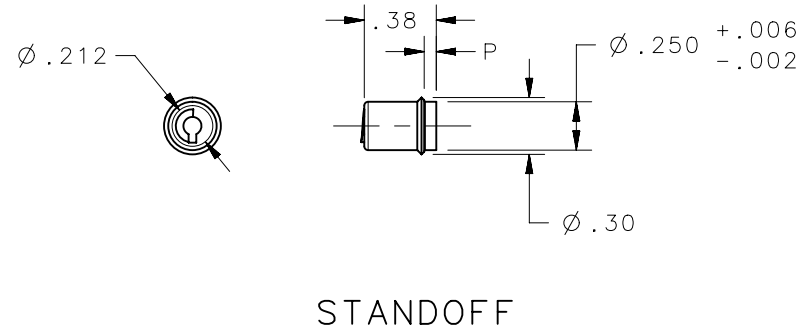
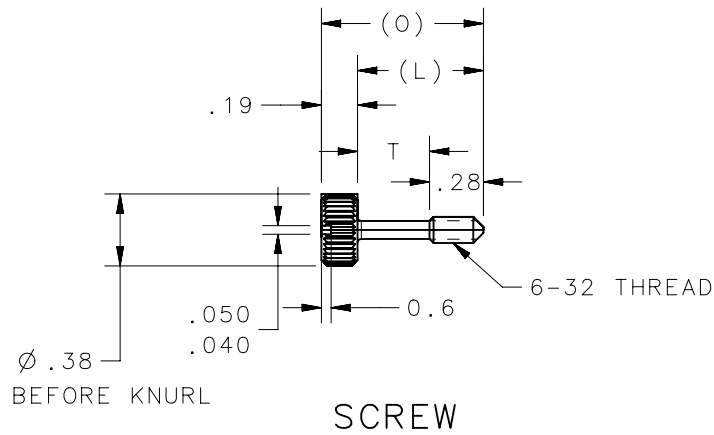


REVISION HISTORY			
REV	DATE	BY	DESCRIPTION
M	23NOV2018	CB1/DMS	PRN: P2018-2705



51-18-313-24	51-28-313-24	58-28-413-24	58-18-413-24	58-36-41-24	.81	1.09	1.28	.13	
51-18-213-24	51-28-213-24			58-36-45-24					.09
51-18-113-24	51-28-113-24			58-36-44-24					
51-18-310-24	51-28-310-24	58-28-410-24	58-18-410-24	58-36-41-24	.63	.91	1.09	.09	
51-18-210-24	51-28-210-24			58-36-45-24					.06
51-18-110-24	51-28-110-24			58-36-44-24					
51-18-309-24	51-28-309-24	58-28-409-24	58-18-409-24	58-36-41-24	.56	.84	1.03	.09	
51-18-209-24	51-28-209-24			58-36-45-24					.06
51-18-109-24	51-28-109-24			58-36-44-24					
51-18-308-24	51-28-308-24	58-28-408-24	58-18-408-24	58-36-41-24	.50	.78	.97	.09	
51-18-208-24	51-28-208-24			58-36-45-24					.06
51-18-108-24	51-28-108-24			58-36-44-24					
51-18-307-24	51-28-307-24	58-28-407-24	58-18-407-24	58-36-41-24	.44	.72	.91	.09	
51-18-207-24	51-28-207-24			58-36-45-24					.06
51-18-107-24	51-28-107-24			58-36-44-24					
51-18-306-24	51-28-306-24	58-28-406-24	58-18-406-24	58-36-41-24	.38	.66	.84	.09	
51-18-206-24	51-28-206-24			58-36-45-24					.06
51-18-106-24	51-28-106-24			58-36-44-24					
SLOTTED		UNSLOTTED	SLOTTED	UNSLOTTED	STANDOFF	T	L	(O)	P
ASSEMBLY PART NUMBERS			SCREW PART NUMBERS		PART NUMBER				

NOTES:
 A. PARTS SHIPPED SEPARATELY, BULK.
 B. FOR INSTALLATION INSTRUCTIONS SEE J-51-13.

ITEM	MATERIAL	FINISH
SCREW	STAINLESS STEEL	PASSIVATE
STANDOFF	STAINLESS STEEL	PASSIVATE

THIRD ANGLE PROJECTION		 CONNECT • CREATE • INNOVATE	
INCHES [MM]			
TOLERANCES UNLESS OTHERWISE NOTED		DESCRIPTION	
ALL DIMENSIONS WITHOUT TOLERANCES ARE FOR REFERENCE ONLY.		NO. 51 FASTENER ASSEMBLIES 6-32 THREAD, 3/8 DIAMETER HEAD	
PROPRIETARY ITEM		SIZE	DWG NO.
EXCEPT FOR USES EXPRESSLY GRANTED IN WRITING, INFORMATION DISCLOSED HEREON IS CONFIDENTIAL AND ALL RIGHTS, PATENT AND OTHERWISE, ARE RESERVED BY SOUTHCO, INC.		A	NX
PER ASME Y14.5M-1994		DATE	SCALE
		30JUN1964	1:1
		DRAWN BY	SHEET
		BC	1 OF 1