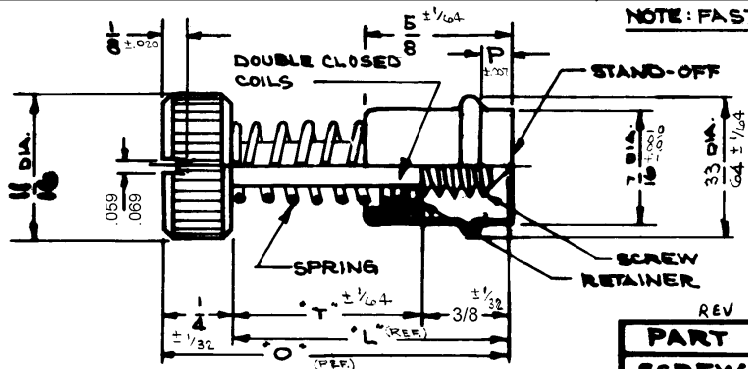


SOUTHCO
NO 53 FASTENER ASSEMBLIES
1/4-20 & 1/4-28 THREADS 1/16 DIA. HEAD

DRAWING NUMBER: **J-53-11**
 SCALE: **N.T.S.**
 CHKD: **D.S.T.**
 DRAWN: **T.R.S.**
 DATE: **3-21-00**



NOTE: FASTENER SHIPPED UNASSEMBLED

DRAWING NUMBER: **J-53-11**

| REV | DATE | BY | DESCRIPTION |
|-----|-----------|---------|----------------|
| G | 05MAY2023 | GJL/DMS | PRN:P2023-0826 |

PROPRIETARY ITEM—EXCEPT FOR USE EXPRESSLY GRANTED IN WRITING, INFORMATION DISCLOSED HEREON IS CONFIDENTIAL AND ALL RIGHTS, PATENT AND OTHERWISE, ARE RESERVED BY SOUTHCO, INC.

REV F 5MAR93 JRR PRN: S-1-03

| PART | MATERIAL | FINISH |
|-----------|-----------------|-----------|
| SCREW | STAINLESS STEEL | PASSIVATE |
| STAND-OFF | STAINLESS STEEL | PASSIVATE |
| RETAINER | STAINLESS STEEL | PASSIVATE |
| SPRING | STAINLESS STEEL | PASSIVATE |

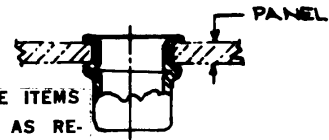
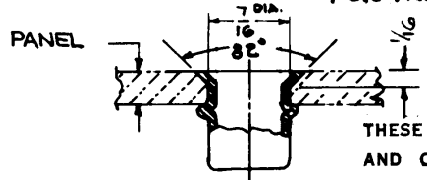
REV D TEL 5-11-77 PRN-120-14 REV E 7-13-82 JCL VLS 5-1-01
 REV C 1-24-63 5-14-63 - ADDED TOLERANCE TO DIMENSIONS

| ASSEMBLY PART NUMBERS | | | | T | L | O | P |
|-----------------------|---------------|---------------|---------------|-------|-------|-------|------|
| SLOTTED | | UNSLOTTED | | | | | |
| 1/4-20 UNC-2A | 1/4-28 UNF-2A | 1/4-20 UNC-2A | 1/4-28 UNF-2A | | | | |
| 53-11-110-24 | 53-14-110-24 | 53-21-110-24 | 53-24-110-24 | 1/16 | 1/8 | 1/4 | 1/8 |
| 53-11-210-24 | 53-14-210-24 | 53-21-210-24 | 53-24-210-24 | 3/16 | 1/4 | 5/16 | 3/16 |
| 53-11-310-24 | 53-14-310-24 | 53-21-310-24 | 53-24-310-24 | 1/4 | 5/16 | 3/4 | 1/4 |
| 53-11-111-24 | 53-14-111-24 | 53-21-111-24 | 53-24-111-24 | 5/16 | 3/8 | 1/2 | 1/8 |
| 53-11-211-24 | 53-14-211-24 | 53-21-211-24 | 53-24-211-24 | 3/8 | 1/2 | 5/8 | 3/16 |
| 53-11-311-24 | 53-14-311-24 | 53-21-311-24 | 53-24-311-24 | 1/2 | 5/8 | 7/8 | 1/4 |
| 53-11-112-24 | 53-14-112-24 | 53-21-112-24 | 53-24-112-24 | 3/4 | 7/8 | 1 1/8 | 1/8 |
| | 53-14-212-24 | 53-21-212-24 | 53-24-212-24 | 7/8 | 1 1/8 | 1 1/4 | 3/16 |
| 53-11-312-24 | 53-14-312-24 | 53-21-312-24 | 53-24-312-24 | 1 1/8 | 1 1/4 | 1 3/4 | 1/4 |
| 53-11-113-24 | 53-14-113-24 | 53-21-113-24 | 53-24-113-24 | 1 1/4 | 1 1/4 | 1 7/8 | 1/8 |
| 53-11-213-24 | 53-14-213-24 | | 53-24-213-24 | 1 1/4 | 1 3/4 | 2 1/8 | 3/16 |
| 53-11-313-24 | 53-14-313-24 | 53-21-313-24 | 53-24-313-24 | 1 1/2 | 1 3/4 | 2 1/4 | 1/4 |
| | | 53-21-114-24 | 53-24-114-24 | 1 3/4 | 1 3/4 | 2 1/4 | 1/8 |
| 53-11-214-24 | 53-14-214-24 | 53-21-214-24 | 53-24-214-24 | 1 3/4 | 1 3/4 | 2 1/4 | 3/16 |
| 53-11-314-24 | 53-14-314-24 | 53-21-314-24 | 53-24-314-24 | 1 3/4 | 1 3/4 | 2 1/4 | 1/4 |
| 53-11-115-24 | 53-14-115-24 | 53-21-115-24 | 53-24-115-24 | 1 3/4 | 1 3/4 | 2 1/4 | 1/8 |
| 53-11-215-24 | 53-14-215-24 | 53-21-215-24 | 53-24-215-24 | 1 3/4 | 1 3/4 | 2 1/4 | 3/16 |
| 53-11-315-24 | 53-14-315-24 | 53-21-315-24 | 53-24-315-24 | 1 3/4 | 1 3/4 | 2 1/4 | 1/4 |
| 53-11-116-24 | | 53-21-116-24 | 53-24-116-24 | 1 3/4 | 1 3/4 | 2 1/4 | 1/8 |
| | 53-14-216-24 | 53-21-216-24 | 53-24-216-24 | 1 3/4 | 1 3/4 | 2 1/4 | 3/16 |
| 53-11-316-24 | 53-14-316-24 | 53-21-316-24 | 53-24-316-24 | 1 3/4 | 1 3/4 | 2 1/4 | 1/4 |

INSTALLATION METHOD 'A'

INSTALLATION METHOD 'B'

FOR FASTENER INSTALLATION SEE DWG. J-53-1



THESE ASSEMBLIES ARE NON-REPAIRABLE ITEMS
 AND COMPONENTS ARE NOT AVAILABLE AS REPLACEMENT OR REPAIR PARTS.

| WHEN DIMENSION 'P' IS: | PANEL RANGE IS: | |
|------------------------|-----------------|---------------|
| | METHOD 'A' | METHOD 'B' |
| 1/8 | 7/64 TO 9/64 | 1/16 TO 5/64 |
| 3/16 | 11/64 TO 13/64 | 3/32 TO 9/64 |
| 1/4 | 15/64 TO 17/64 | 5/32 TO 13/64 |

| B.S. | DATE | APP. |
|------|---------|------|
| A | | |
| B | | |
| C | | |
| D | 4-16-02 | TRB |