

SOUTHCO, INC.  
LESTER, PA.

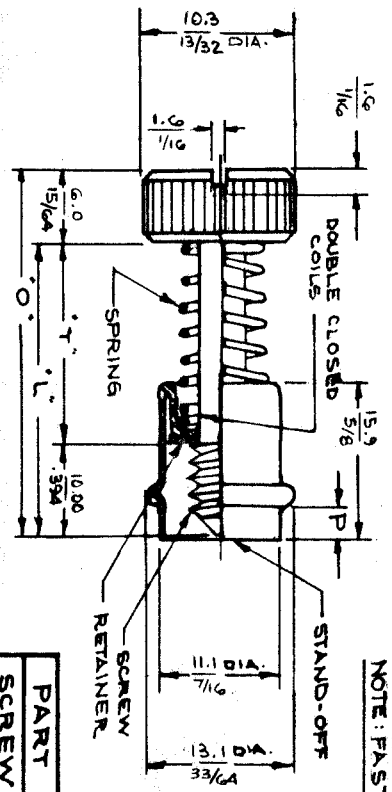
SOUTHCO No 53 FASTENER ASSEMBLIES  
M4 x 0.7 THREAD 7/16 DIA. HEAD

DATE	DRAWN	CHKD	SCALE	DRAWING NUMBER
3/12/82	SJM		N.T.S.	J-53-25

REV A 8-5-88 WAW CORRECTED 15/64 CONVERSION WAS 4.4  
REV B 5 MAR 93 FAR PAN: 5-1-03

REV	DATE	BY	DESCRIPTION
C	24MAY2023	GJL/DMS	PRN:P2023-0863

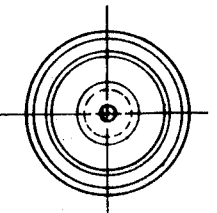
PROPRIETARY ITEM. EXCEPT FOR USES EXPRESSLY GRANTED IN WRITING, INFORMATION DISCLOSED HEREON IS CONFIDENTIAL AND ALL RIGHTS, PATENT AND OTHERWISE, ARE RESERVED BY SOUTHCO, INC.



NOTE: FASTENER SHIPPED UNASSEMBLED

PART	MATERIAL	FINISH
SCREW	STAINLESS STEEL	PASSIVATE
STAND-OFF	STAINLESS STEEL	PASSIVATE
RETAINER	STAINLESS STEEL	PASSIVATE
SPRING	STAINLESS STEEL	PASSIVATE

MILLIMETER / INCH MILLIMETER INCH



DRAWING NUMBER  
J-53-25

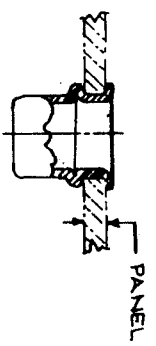
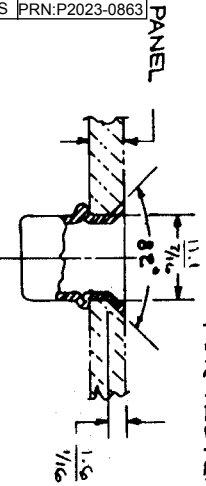
ASSEMBLY	PART NUMBERS	T	L	O	P
SLOTTED	UNSLOTTED				
M4 x 0.7	M4 x 0.7				

53-74 - 714-24	53-84 - 714-24	14.00	24.00	30.00	3.2
- 814	- 814	.552	.945	1.181	1/8
- 914	- 914				3/16
- 716	- 716				5/32
- 816	- 816				7/32
- 718	- 718				1/2
- 818	- 818	18.00	28.00	34.00	1/2
- 918	- 918	7.09	11.07	1.339	3/16
- 720	- 720				5/32
- 820	- 820	26.00	36.00	44.17	3/2
- 920	- 920	7.87	11.81	1.417	1/2
- 722	- 722				3/2
- 822	- 822	22.00	32.00	38.00	1/2
- 922	- 922	.866	1.260	1.496	3/16
- 724	- 724				5/32
- 824	- 824	24.00	34.00	40.00	1/2
- 924	- 924	.945	1.339	1.575	3/16
- 726	- 726				5/32
- 826	- 826	26.00	36.00	42.00	1/2
- 926	- 926	1.024	1.417	1.654	3/16
- 728	- 728				5/32
- 828	- 828				1/2
- 928	- 928				3/2

INSTALLATION METHOD "A"

INSTALLATION METHOD "B"

FOR FASTENER INSTALLATION SEE DWG. J-53-1



WHEN DIMENSION "P" IS:	PANEL RANGE "A"	METHOD "A"	METHOD "B"
3/2	2.8 - 3.6	7/64 - 9/64	1/16 - 2.0
1/8	4.4 - 5.2	11/64 - 13/64	1/16 - 3/16
3/16	5.9 - 6.7	15/64 - 17/64	3/32 - 9/64
1/4			1/2 - 5/2

PANEL

PANEL