

DRIVER NUMBER  
**J-53-26**

SCALE

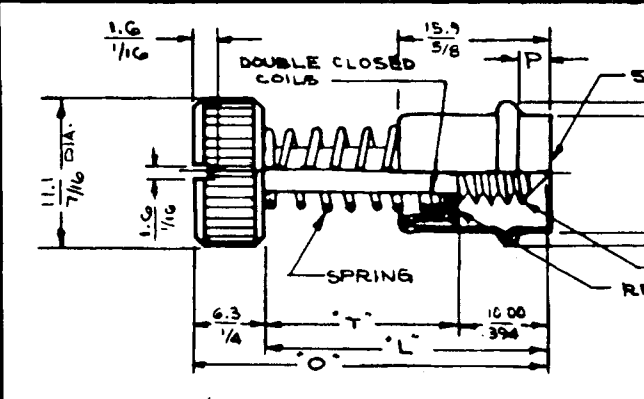
CHMB

DRAWN SJM

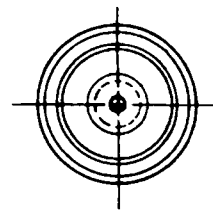
DATE 3/12/82

SOUTHCO No.53 FASTENER ASSEMBLIES  
M5x0.8 THREAD 7/16 DIA. HEAD

**SOUTHCO**



NOTE: FASTENER SHIPPED UNASSEMBLED



DRAWING NUMBER  
**J-53-26**

PROPRIETARY ITEM—EXCEPT FOR USES EXPRESSLY GRANTED IN WRITING. INFORMATION DISCLOSED HEREON IS CONFIDENTIAL AND ALL RIGHTS, PATENT AND OTHERWISE, ARE RESERVED BY SOUTHCO, INC.

REV	DATE	BY	DESCRIPTION
C	24MAY2023	GJL/DMS	PRN:P2023-0863

PART	MATERIAL	FINISH
SCREW	STAINLESS STEEL	PASSIVATE
STAND-OFF	STAINLESS STEEL	PASSIVATE
RETAINER	STAINLESS STEEL	PASSIVATE
SPRING	STAINLESS STEEL	PASSIVATE

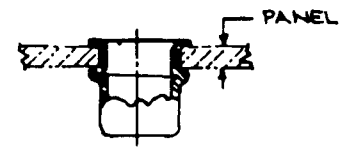
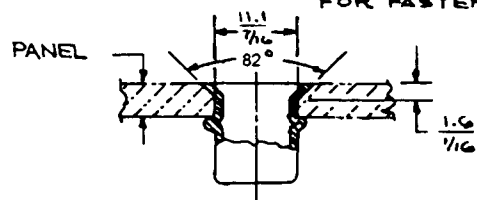
MILLIMETER/INCH  
MILLIMETER/INCH

ASSEMBLY PART NUMBERS		T	L	O	P
SLOTTED	UNSLOTTED				
M5x0.8	M5x0.8				
53-76 - -24	53-86-714-24				
814	814	14.00	24.00	30.35	3.2 7/8
914	914	.552	.945	1.195	4.8 3/16
716	716				6.3 1/4
816	816	16.00	26.00	32.35	3.2 7/8
916	916	.630	1.024	1.274	4.8 3/16
718	718				6.3 1/4
818	818	18.00	28.00	34.35	3.2 7/8
918	918	.707	1.102	1.352	4.8 3/16
720	720				6.3 1/4
820	820	20.00	30.00	36.35	3.2 7/8
920	920	.787	1.181	1.431	4.8 3/16
722	722				6.3 1/4
822	822	22.00	32.00	38.35	3.2 7/8
922	922	.866	1.260	1.510	4.8 3/16
724	724				6.3 1/4
824	824	24.00	34.00	40.35	3.2 7/8
924	924	.945	1.339	1.589	4.8 3/16
726	726				6.3 1/4
826	826	26.00	36.00	42.35	3.2 7/8
926	926	1.024	1.417	1.667	4.8 3/16
53-76 - 926-24	53-86 - 926-24				6.3 1/4

INSTALLATION METHOD "A"

INSTALLATION METHOD "B"

FOR FASTENER INSTALLATION SEE DWG. J-53-1



WHEN DIMENSION "P" IS:	PANEL RANGE IS:	
	METHOD "A"	METHOD "B"
3.2 7/8	2.8 - 3.6 7/64 - 9/64	1.6 - 2.0 1/16 - 3/64
4.8 3/16	4.4 - 5.2 11/64 - 13/64	2.4 - 3.0 3/32 - 9/64
6.3 1/4	5.9 - 6.7 15/64 - 11/64	4.0 - 5.2 5/32 - 13/64

REV A B-S-BB WAW CORRECTED 12/14  
CONFESSION WAS 4.4.  
REL 5 MRR 93 JRR PRN: S-1-03