

DRAWING NUMBER
J-53-27-26

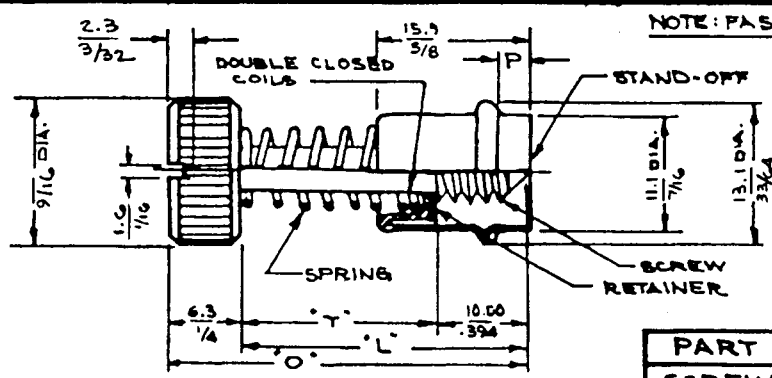
SCALE
N.T.S.

DATE
10 MAY 94

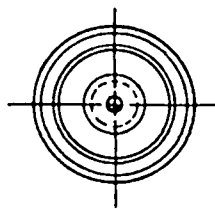
DRAWN
JJK

SOUTHCO
N^o 53 FASTENER ASSEMBLIES
M6 x 1 THREAD 9/16 DIA. HEAD

DRAWING NUMBER
J-53-27-26



NOTE: FASTENER SHIPPED UNASSEMBLED



PROPRIETARY ITEM—EXCEPT FOR USES EXPRESSLY GRANTED IN WRITING, INFORMATION DISCLOSED HEREON IS CONFIDENTIAL AND ALL RIGHTS, PATENT AND OTHERWISE, ARE RESERVED BY SOUTHCO, INC.

PART	MATERIAL	FINISH
SCREW	STAINLESS STEEL	BLACK ORGANIC COATING
STAND-OFF	STAINLESS STEEL	BLACK ORGANIC COATING
RETAINER	STAINLESS STEEL	PASSIVATE
SPRING	STAINLESS STEEL	PASSIVATE

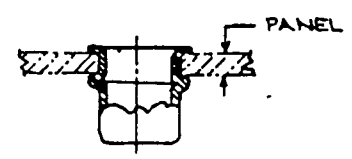
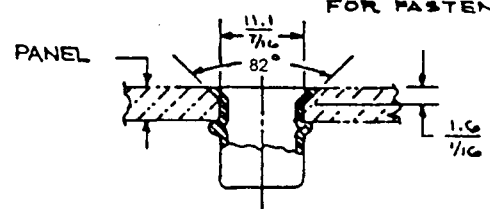
MILLIMETER/INCH MILLIMETER/INCH

ASSEMBLY PART NUMBERS		T	L	O	P
SLOTTED	UNBLOTTED				
M6 x 1	M6 x 1				
53-77-414-26	53-87-414-26				
514	514	14.00	24.00	30.35	3.2 7/8
614	614	.552	.945	1.195	4.8 3/16
416	416				6.3 1/4
516	516	16.00	26.00	32.35	3.2 7/8
616	616	.630	1.024	1.274	4.8 3/16
418	418				6.3 1/4
518	518	18.00	28.00	34.35	3.2 7/8
618	618	.709	1.102	1.352	4.8 3/16
420	420				6.3 1/4
520	520	20.00	30.00	36.35	3.2 7/8
620	620	.787	1.181	1.431	4.8 3/16
422	422				6.3 1/4
522	522	22.00	32.00	38.35	3.2 7/8
622	622	.866	1.260	1.510	4.8 3/16
424	424				6.3 1/4
524	524	24.00	34.00	40.35	3.2 7/8
624	624	.945	1.339	1.589	4.8 3/16
426	426				6.3 1/4
526	526	26.00	36.00	42.35	3.2 7/8
626	626	1.024	1.417	1.667	4.8 3/16
53-77-626-26	53-87-626-26				6.3 1/4

INSTALLATION METHOD "A"

INSTALLATION METHOD "B"

FOR FASTENER INSTALLATION SEE DWG. J-53-1



WHEN DIMENSION "P" IS:	PANEL RANGE IS:	
	METHOD "A"	METHOD "B"
3.2 7/8	2.8 - 3.6 7/16 - 9/16	1.6 - 2.0 1/16 - 3/16
4.8 3/16	4.4 - 5.2 1/4 - 15/64	2.4 - 3.6 3/32 - 9/16
6.3 1/4	5.9 - 6.7 3/16 - 1/2	4.0 - 5.2 5/32 - 15/64