

SOUTHCO N°53 FASTENER ASSEMBLIES
 8-32 THREAD 7/16 DIA. HEAD

DRAWING NUMBER
J-53-7

SCALE
 N.T.S.

SOUTHCO
 P.S.T.

DATE
 24MAY2023

BY
 GJL/DMS

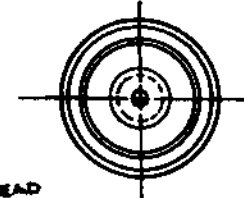
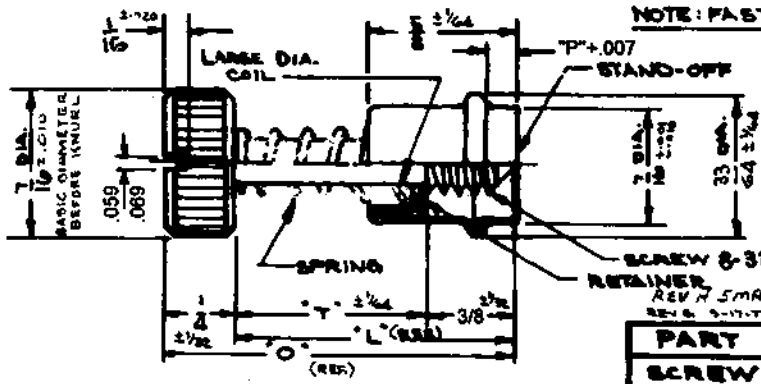
DESCRIPTION
 PRN:P2023-0863

TRS.

MTE
 3E1G0

SOUTHCO

DRAWING NUMBER
J-53-7



PART	MATERIAL	FINISH
SCREW	STAINLESS STEEL	PASSIVATE
STAND-OFF	STAINLESS STEEL	PASSIVATE
RETAINER	STAINLESS STEEL	PASSIVATE
SPRING	STAINLESS STEEL	PASSIVATE

REV. 5-17-73 TEL. 781-320-19
 REV. 9-23-69 ADDED TOLERANCES
 REV. 3-10-65 7/16 DIA. HEAD 7/16 DIA. DELETED PREVIOUS REV.

PROPRIETARY ITEM—EXCEPT FOR USES EXPRESSLY GRANTED IN WRITING, INFORMATION DISCLOSED HEREIN IS CONFIDENTIAL AND ALL RIGHTS, PATENT AND OTHERWISE, ARE RESERVED BY SOUTHCO, INC.

REV	DATE	BY	DESCRIPTION
G	24MAY2023	GJL/DMS	PRN:P2023-0863

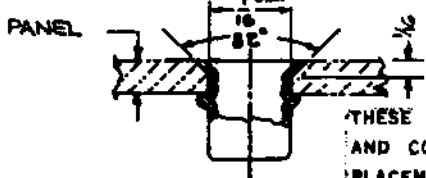
ASSEMBLY PART NUMBERS

SLOTTED		UNSLOTTED		T	L	O	P
8-32 UNC 2A		8-32 UNC-2A					
53-17-710-24		53-27-710-24		5/16	1/2	1/4	1/8
53-17-810-24		53-27-810-24		3/16			3/16
53-17-910-24		53-27-910-24		1/4			1/4
53-17-711-24		53-27-711-24		1/8			1/8
		53-27-811-24		3/16			3/16
53-17-911-24		53-27-911-24		1/4			1/4
53-17-712-24		53-27-712-24		1/8			1/8
53-17-812-24		53-27-812-24		3/16			3/16
53-17-912-24		53-27-912-24		1/4			1/4
53-17-713-24		53-27-713-24		1/8			1/8
		53-27-813-24		3/16			3/16
53-17-913-24		53-27-913-24		1/4			1/4
53-17-714-24		53-27-714-24		1/8			1/8
53-17-814-24		53-27-814-24		3/16			3/16
53-17-914-24		53-27-914-24		1/4			1/4
53-17-715-24		53-27-715-24		1/8			1/8
53-17-815-24		53-27-815-24		3/16			3/16
53-17-915-24		53-27-915-24		1/4			1/4
53-17-716-24		53-27-716-24		1/8			1/8
53-17-816-24		53-27-816-24		3/16			3/16
53-17-916-24		53-27-916-24		1/4			1/4

INSTALLATION METHOD 'A'

INSTALLATION METHOD 'B'

FOR FASTENER INSTALLATION SEE DWG. J-53-1



THESE ASSEMBLIES ARE NON-REPAIRABLE ITEMS
 AND COMPONENTS ARE NOT AVAILABLE AS REPLACEMENT OR REPAIR PARTS.

WHEN DIMENSION 'P' IS:	PANEL RANGE IS:	
	METHOD 'A'	METHOD 'B'
1/8	7/64 TO 9/64	1/16 TO 5/64
3/16	11/64 TO 13/64	3/32 TO 9/64
1/4	15/64 TO 17/64	5/32 TO 13/64

REV.	DATE	APP.	CHK.
4	D	J	D