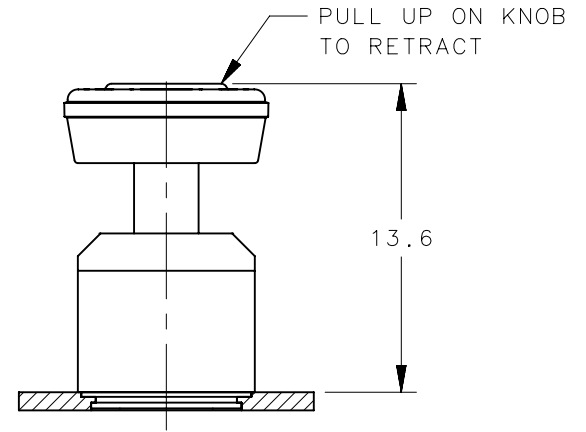
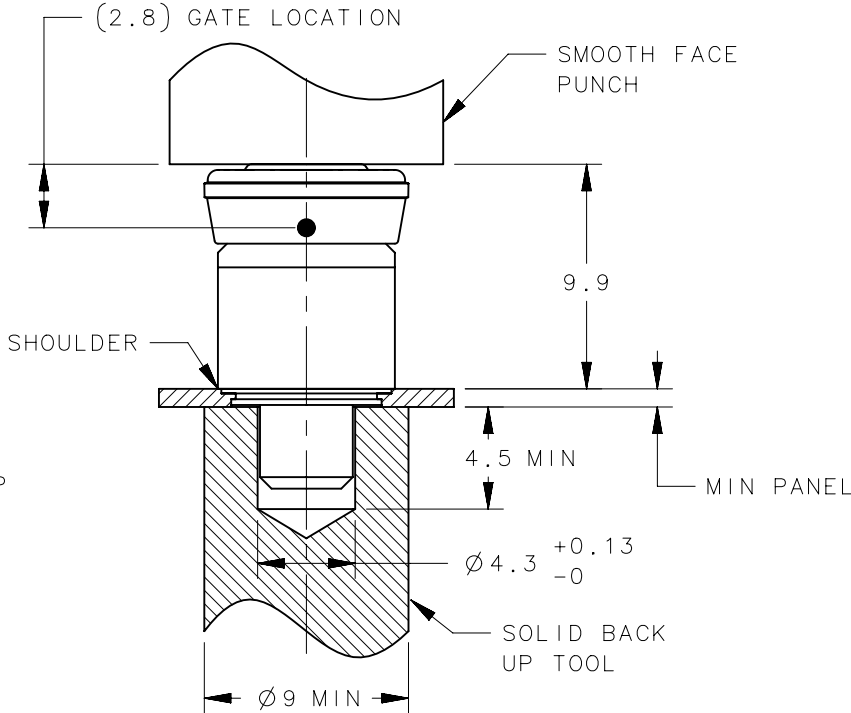


NOTES:

- A. INSTALLATION INSTRUCTIONS:
 1. DRILL OR PUNCH INSTALLATION HOLE.
 2. PLACE FERRULE INTO INSTALLATION HOLE.
 3. PROVIDE SOLID BACK-UP BEHIND HOLE WITH CLEARANCE HOLE FOR STUD.
 4. PRESS ON HEAD OF STUD UNTIL SHOULDER OF FERRULE IS FIRMLY AGAINST OUTER PANEL. RECOMMENDED LOAD OF 5,000 N FOR 5052-H32 ALUMINUM. RECOMMENDED LOAD OF 10,000 N FOR STEEL, Rb < 60 MAX.
 5. PUNCH CANNOT TOUCH PLASTIC DURING INSTALLATION.
- B. MATERIAL AND FINISH:
 - FERRULE: HEAT TREATMENT, STEEL, ZINC PLATE PLUS SEALER
 - END CAP: STEEL, ZINC PLATE PLUS SEALER
 - SPRING: STAINLESS STEEL, PASSIVATED (NOT SHOWN)
 - STUD: HARDENED STEEL, ZINC PLATE PLUS SEALER
 - KNOB: PC/ABS UL94 VO RATED, FLAME RETARDANT; TRIARYLPHOSPHATE (DOES NOT CONTAIN BROMINATED, CHLORINATED, OR HALOGENATED ADDITIVES).
- C. GATE NOT ORIENTED WITH FRAME BREAK.
- D. COSMETIC SPECIFICATION: ALL SURFACES (UNLESS OTHERWISE SPECIFIED) ARE TO BE PER SOUTHCO SPECIFICATION S-121-02 AND S-121-04, CLASS B (REFER TO SECTION 1.0 FOR CROSS REFERENCE TABLE)
- E. PARTS SHIPPED BULK



"EEE" KNOB COLOR
 -000 BLACK
 SEE J-47-0-3 FOR
 DETAILS

56-110-EEE
PART NUMBER

REVISION HISTORY			
REV	DATE	BY	DESCRIPTION
C	11MAY2020	DKP/DMS	PRN: P2020-0857



SCALE 1:1

PROPRIETARY ITEM <small>EXCEPT FOR USES EXPRESSLY GRANTED IN WRITING, INFORMATION DISCLOSED HEREON IS CONFIDENTIAL AND ALL RIGHTS, PATENT AND OTHERWISE, ARE RESERVED BY SOUTHCO, INC.</small>	THIRD ANGLE PROJECTION					southco [®] CONNECT • CREATE • INNOVATE			
	MILLIMETERS [IN]								
	TOLERANCES UNLESS OTHERWISE NOTED	DESCRIPTION				Quick Access Fastener			
	ALL DIMENSIONS WITHOUT TOLERANCES ARE FOR REFERENCE ONLY.	56 MINI PRESS-IN ASSEMBLY OVERMOLD NON STAY OPEN				SIZE	SYSTEM	DWG NO.	J-56-110
PER ASME Y14.5M-1994	DRAWN BY	TVA	DATE	07OCT2013	SCALE	3:1	SHEET	1 OF 1	