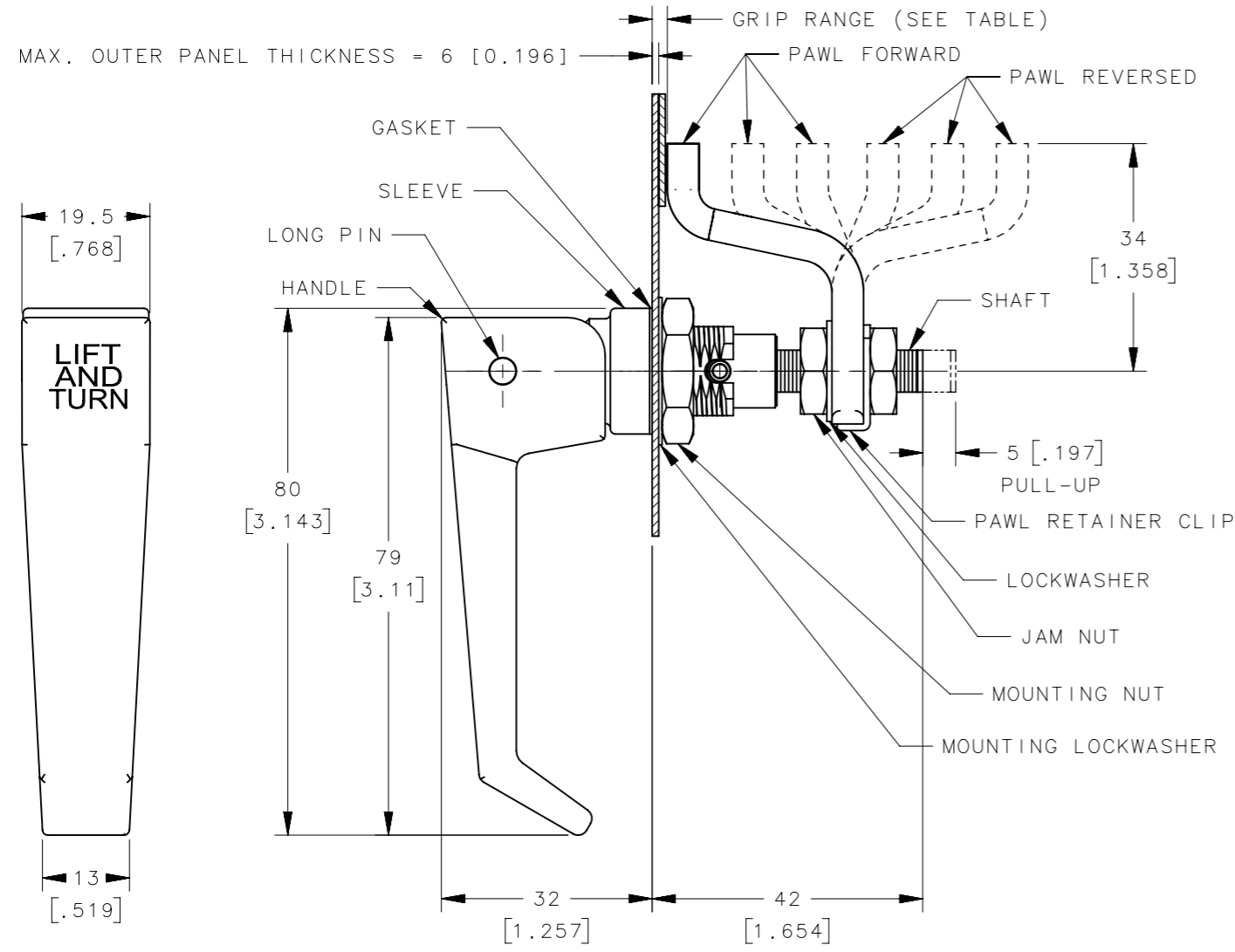
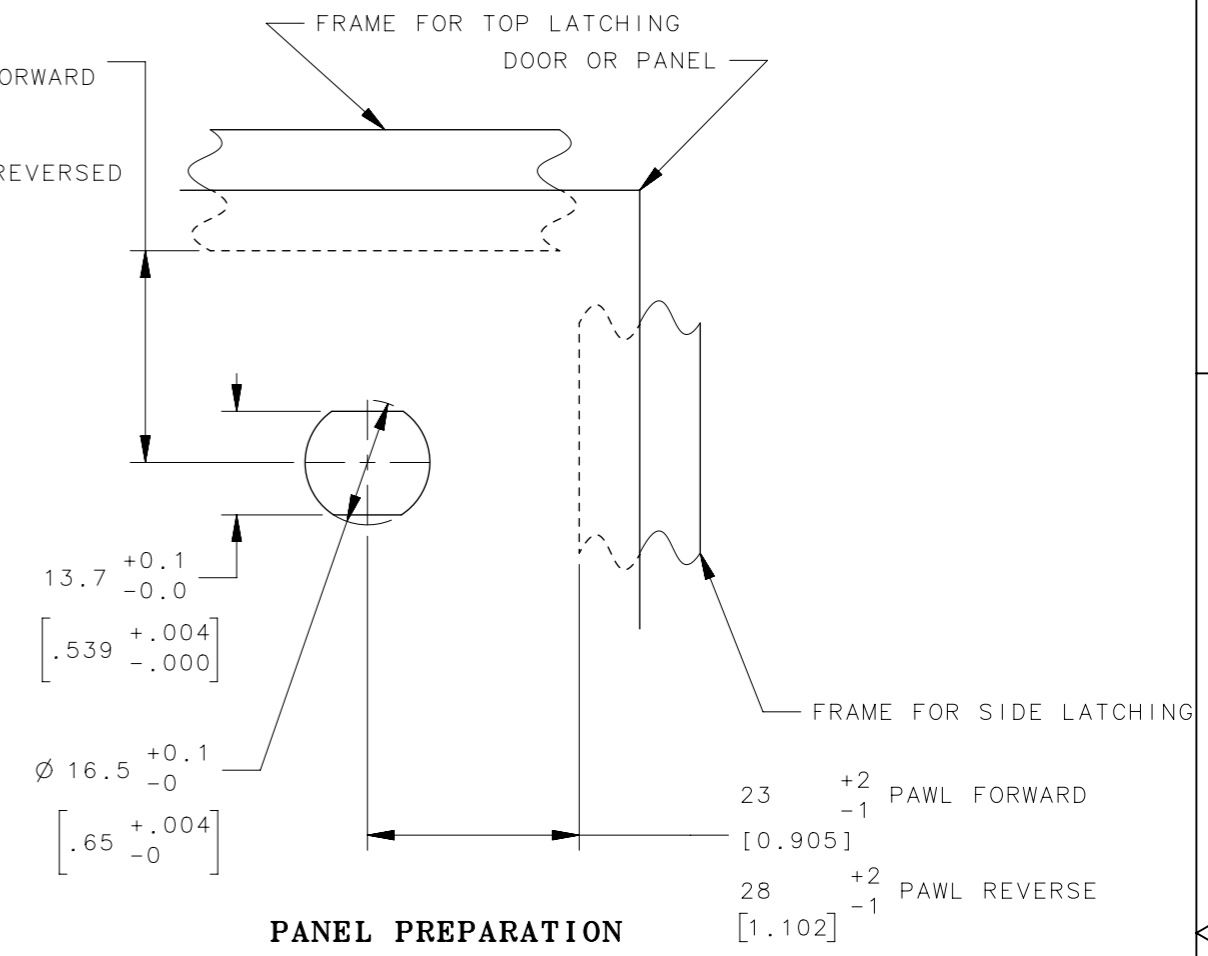


REVISION HISTORY			
REV	DATE	BY	DESCRIPTION
I	08MAR2021	KSH/VK	PRN: P2021-0424



23 $\begin{matrix} +2 \\ -1 \end{matrix}$ PAWL FORWARD
[0.905]
28 $\begin{matrix} +2 \\ -1 \end{matrix}$ PAWL REVERSED
[1.102]



PANEL PREPARATION

GRIP		ASSEMBLY PART NUMBER TABLE			
MIN	MAX	POLISHED CHROME	BRUSHED CHROME	BLACK POWDER COATED	SATIN SILVER POLYESTER POWDER COATED
0	5	62-30-11	62-30-12	62-30-15	62-30-17
5	15	62-30-21	62-30-22	62-30-25	62-30-27
15	25	62-30-31	62-30-32	62-30-35	62-30-37
25	35	62-30-31	62-30-32	62-30-35	62-30-37
35	45	62-30-21	62-30-22	62-30-25	62-30-27
45	55	62-30-11	62-30-12	62-30-15	62-30-17

NOTES:

1. THREAD SIZE OF SLEEVE IS 5/8-24 AND THE SHAFT IS AN M8.
2. ASSEMBLE AS SHOWN AND ROTATE PAWL TO THE DESIRED LATCHING POSITION.
3. PAWL SHOULD BE ADJUSTED TO GRIP MEASUREMENT WITH THE DOOR OPEN AND THE HANDLE IN THE LATCHED POSITION. USE TWO WRENCHES TO TIGHTEN.
4. MATERIAL AND FINISH:
HANDLE AND SLEEVE: DIE CAST ZINC, SEE TABLE.
WASHER AND SPRING: 302 STAINLESS STEEL, PASSIVATED.
O-RING: BUNA-N RUBBER, NATURAL.
SHAFT AND LONG PIN: 303 STAINLESS STEEL, PASSIVATED OR PASSIVATED WITH BLACK ORGANIC COATING.
BUSHING: 303 STAINLESS STEEL, BLACK OXIDE.
PAWL POSITIONING PIN: 303 STAINLESS STEEL, NATURAL OR BLACK ORGANIC COATING.
PAWL AND PAWL RETAINING CLIP: 1010 STEEL, ZINC PLATE PLUS SEALER.
GASKET: FIBER, NATURAL.
LOCKWASHER: SPRING STEEL, ZINC PLATE PLUS SEALER.
JAM NUTS: LOW CARBON STEEL, ZINC PLATE, CHROMATE PLUS SEALER.
MOUNTING NUT: DIE CAST ZINC, ZINC PLATE, CHROMATE PLUS SEALER.

62-30-XX PART NUMBER		 CONNECT • CREATE • INNOVATE	
CPB NUMBER STANDARD	THIRD ANGLE PROJECTION		
MILLIMETERS [IN]		DESCRIPTION No. 62-30 SERIES LATCH ASSEMBLY	
TOLERANCES UNLESS OTHERWISE NOTED		SIZE A3	SYSTEM NX
ALL DIMENSIONS WITHOUT TOLERANCES ARE FOR REFERENCE ONLY.		DWG NO. J-62-30	DATE 31OCT1992
PER ASME Y14.5M-1994		DRAWN BY JSS	SCALE 1:1
<small>PROPRIETARY ITEM EXCEPT FOR USES EXPRESSLY GRANTED IN WRITING, INFORMATION DISCLOSED HEREON IS CONFIDENTIAL AND ALL RIGHTS, PATENT AND OTHERWISE, ARE RESERVED BY SOUTHCO, INC.</small>		SHEET 1 OF 1	