

southco®

PROPRIETARY ITEM - EXCEPT FOR USES EXPRESSLY GRANTED IN WRITING INFORMATION DISCLOSED HEREON IS CONFIDENTIAL AND ALL RIGHTS PATENT AND OTHERWISE ARE RESERVED BY SOUTHCO, INC.

TITLE

82 BAIL COVER

DATE

13/05/09

DRAWN

DC

CHKD

SCALE

2.000

DRAWING NUMBER

J-82-2-B-000

| REV | DATE | DRAWN/CHKD | DESCRIPTION | PART NUMBER | MATERIAL | FINISH |
|-----|-----------|------------|-----------------|-------------|----------|--------|
| A | 21APR2010 | MJS | PRN: P2010-0384 | 82-2-B-000 | POM | BLACK |
| | | | | | | |
| | | | | | | |
| | | | | | | |
| | | | | | | |
| | | | | | | |
| | | | | | | |
| | | | | | | |
| | | | | | | |

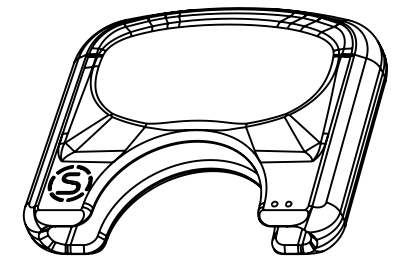
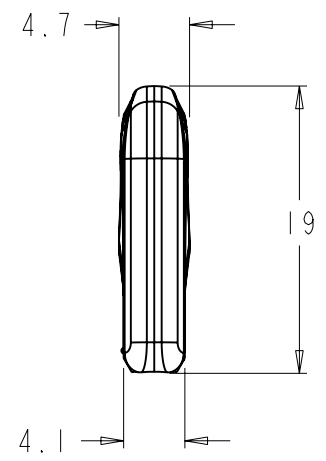
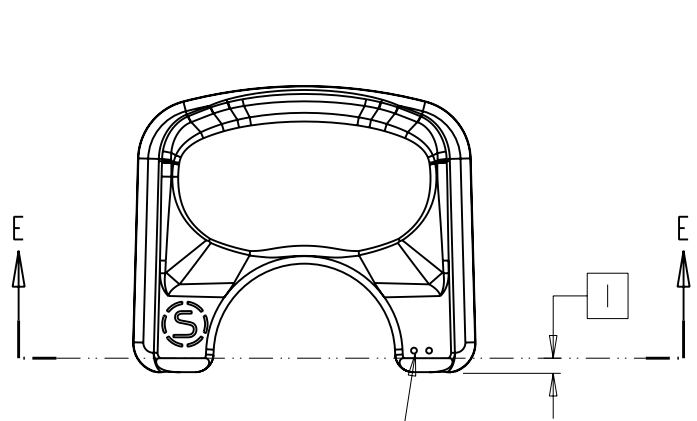
MILLIMETERS

ALL DIMENSIONS ARE FOR REFERENCE ONLY UNLESS OTHERWISE SPECIFIED

THIRD ANGLE PROJECTION A4 PAPER SIZE

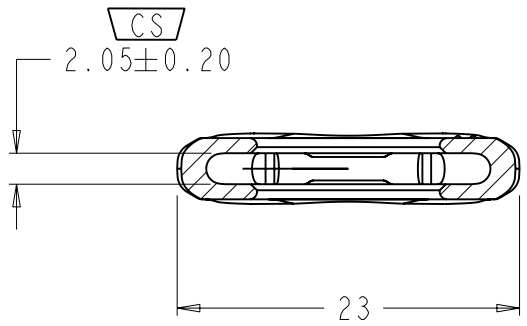
INDICATES DIMENSION WITH SIGNIFICANT CHARACTERISTIC

FILE No. XX



RECOGNITION VIEW

SEE NOTE 2



SECTION E-E

NOTES

- BAIL COVER COMPATIBLE WITH 82 LION BAIL ARM STUDS. 82-15-XXX-XX AND 82-16-XXX-XX
- PIPS INDICATE FROM WHICH TOOL CAVITY CAP IS MOULDED.