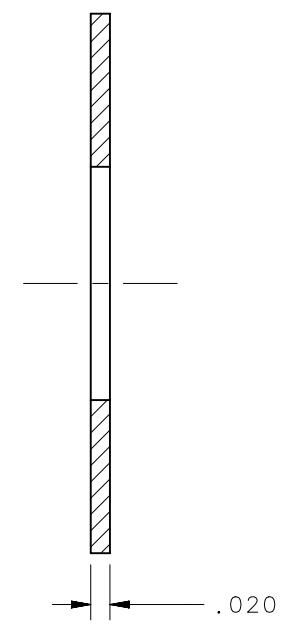
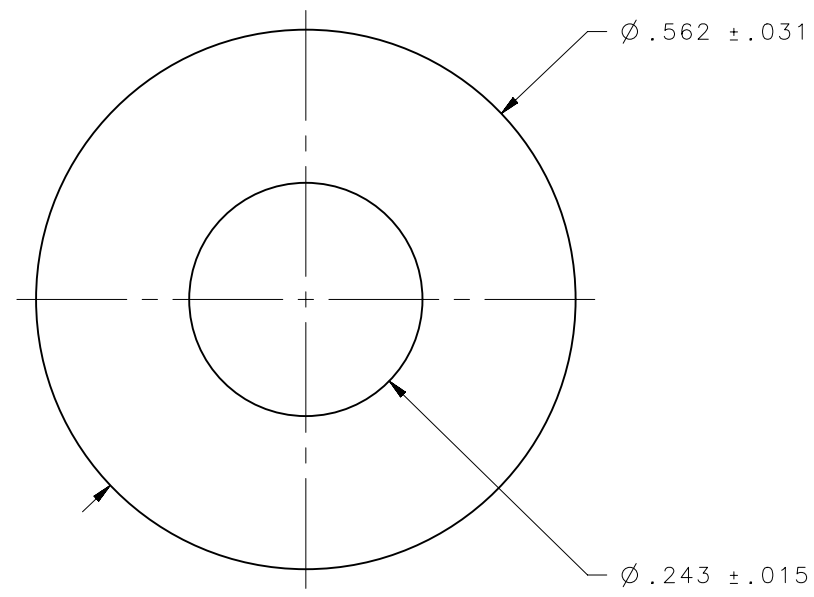


REVISION HISTORY			
REV	DATE	BY	DESCRIPTION
F	28APR2016	JPK/BGL	PRN: P2016-0998



SCALE 1:1



NOTE: TO SELECT PROPER STUD SIZE WHEN SEALING WASHER IS REQUIRED - ADD THICKNESS OF WASHER (.020) TO TOTAL THICKNESS OF MATERIAL TO BE FASTENED.

85-43-201-38		SYNTHETIC RUBBER		BLACK BLACK	
SOUTHCO PART NUMBER		MATERIAL		FINISH	
THIRD ANGLE PROJECTION		 CONNECT • CREATE • INNOVATE			
INCHES [MM]					
TOLERANCES UNLESS OTHERWISE NOTED		DESCRIPTION NO.5 LION FASTENER - SEALING WASHER			
ALL DIMENSIONS WITHOUT TOLERANCES ARE FOR REFERENCE ONLY.		SIZE A	SYSTEM NX	DWG NO. J-85-19	
PER ASME Y14.5M-1994		DRAWN BY MRT	DATE 29MAR1958	SCALE 5:1	SHEET 1 OF 1

PROPRIETARY ITEM
EXCEPT FOR USES EXPRESSLY GRANTED IN WRITING, INFORMATION DISCLOSED HEREON IS CONFIDENTIAL AND ALL RIGHTS, PATENT AND OTHERWISE, ARE RESERVED BY SOUTHCO, INC.