



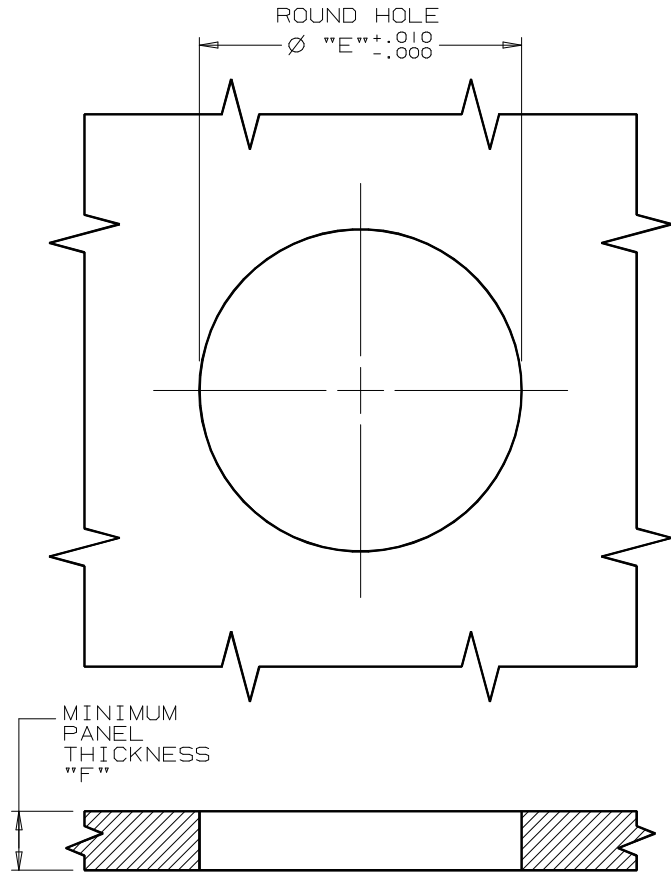
SPUR WASHERS FOR ADAPTING
DOUBLE-D PRODUCTS TO ROUND MOUNTING HOLES

DATE	DRAWN	CHKD	SCALE	DRAWING NUMBER
09OCT92	MPF		2:1	J-90-6

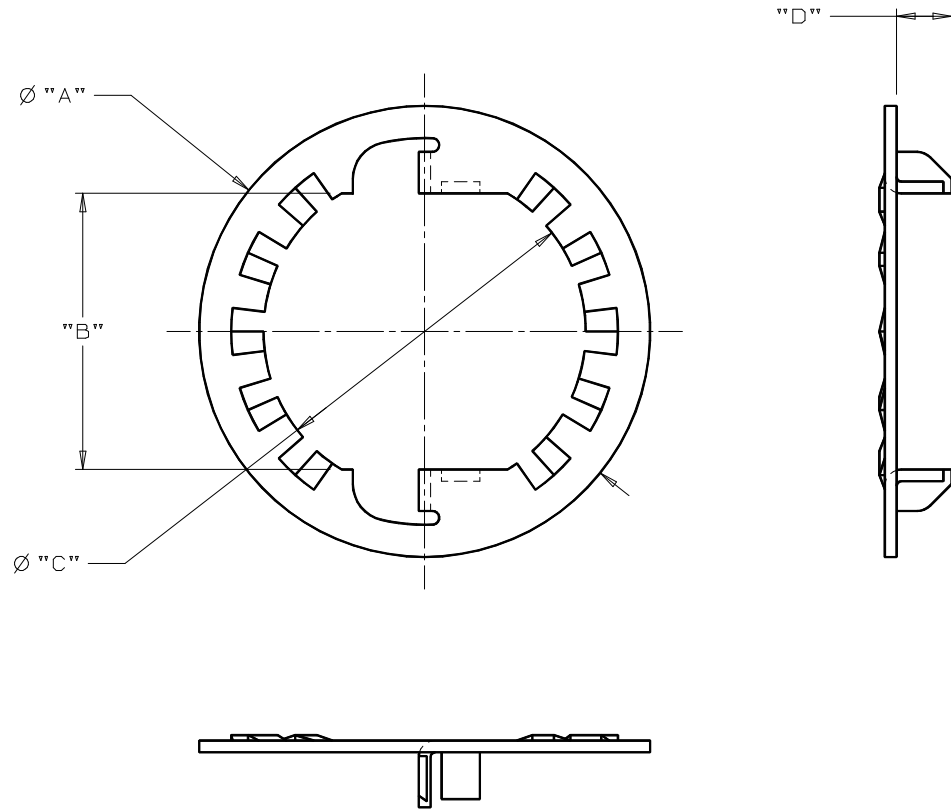
CONCORDVILLE, PA

REV.	DATE	BY-CHKD	REVISIONS	PART No.	"A"	"B"	"C"	"D"	"E"	"F"
				90-6-875	1.23	.75	.88	.15	.875	.16

PANEL PREPARATION



MATERIAL: 1050 STEEL, HARDENED
FINISH: ZINC PLATE, CHROMATE PLUS SEALER



THIS SPUR WASHER IS FOR INSTALLING
DOUBLE-D PRODUCTS IN ROUND HOLES IN
SOFTER MATERIALS SUCH AS WOOD,
FIBERGLASS, PLASTICS, & PARTICLE BOARD.

PROPRIETARY ITEM - EXCEPT FOR USES EXPRESSLY GRANTED IN WRITING
INFORMATION DISCLOSED HEREON IS CONFIDENTIAL AND ALL RIGHTS PATENT
AND OTHERWISE ARE RESERVED BY SOUTHCO, INC.

ALL DIMENSIONS ARE IN INCHES.

DRAWING NUMBER
J-90-6