

NOTES:

- A. USE M4 HARDWARE FOR MOUNTING.
- B. BEFORE CHANGING GRIP RANGE LOOSEN ADJUSTING NUT.
- C. THREAD SIZE OF HOOK IS M5.



PROPRIETARY ITEM - EXCEPT FOR USES EXPRESSLY GRANTED IN WRITING INFORMATION DISCLOSED HEREON IS CONFIDENTIAL AND ALL RIGHTS PATENT AND OTHERWISE ARE RESERVED BY SOUTHCO, INC.

No. 91 UNDER CENTER DRAW LATCH
CONCEALED HOOK STYLE KEEPER

DATE	DRAWN	CHKD	SCALE	DRAWING NUMBER
15AUG1994	BMC		1:1	J-91-1

REV	DATE	DRAWN/CHKD	DESCRIPTION	PART NUMBER
I	16APR2007	BWR/MDY	PRN: P2007-0521	91-5X2-YY
J	21MAR2012	ACH/SMM	PRN: P2012-0385	
K	02APR2014	CMS/MGG	PRN: P2014-0655	
L	23OCT2018	CMS/CBI	PRN: P2018-2441	

X= BASE

1: CONCEALED
2: CONCEALED, SECONDARY CATCH
3: CONCEALED, PADLOCK HASP
5: EXPOSED
6: EXPOSED, SECONDARY CATCH
7: EXPOSED, PADLOCK HASP

YY= MATERIAL AND FINISH

07: STEEL, ZINC PLATE BRIGHT
25: STAINLESS STEEL, BLACK E-COAT AND POWDER.
(HOOK AND NUT: STAINLESS STEEL, BLACK OXIDE)
52: STAINLESS STEEL, PASSIVATED
63: STAINLESS STEEL, BLACK OXIDE

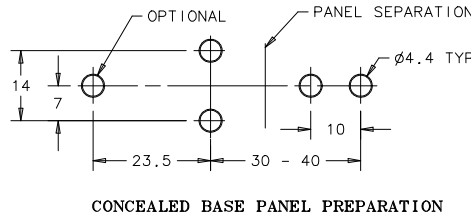
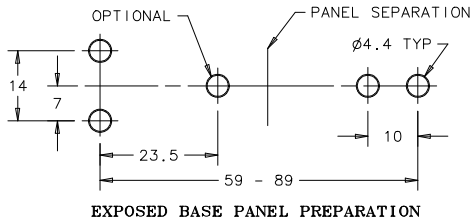
MILLIMETERS

ALL DIMENSIONS WITHOUT TOLERANCES ARE FOR REFERENCE ONLY.

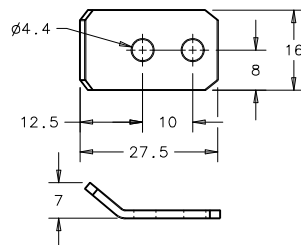
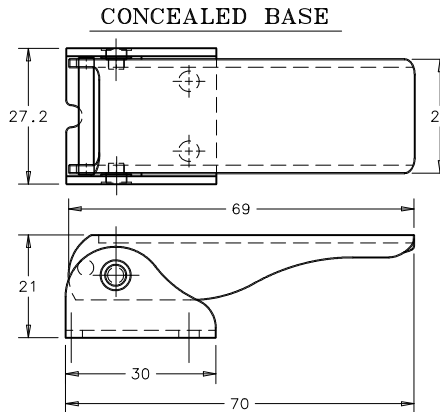
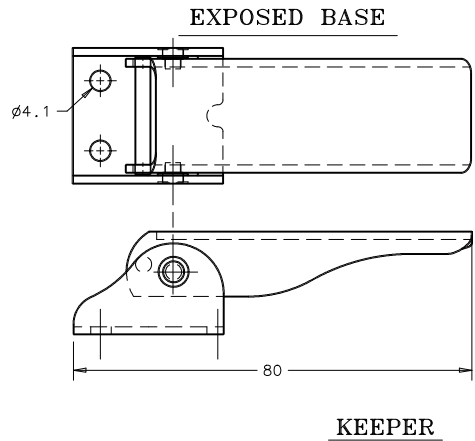
THIRD ANGLE PROJECTION

A3 PAPER SIZE

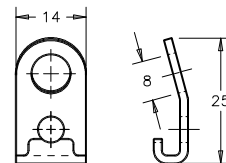
PANEL PREPARATION



KEEPER PART NUMBER	
FINISH	HOOK STYLE KEEPER (CONCEALED)
STEEL, ZINC PLATE BRIGHT	91-600-07
STAINLESS STEEL, PASSIVATED	91-600-52
STAINLESS STEEL, BLACK OXIDE	91-600-63



PAD-LOCKABLE HASP



SECONDARY CATCH

