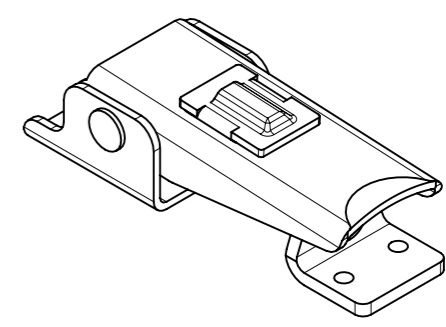
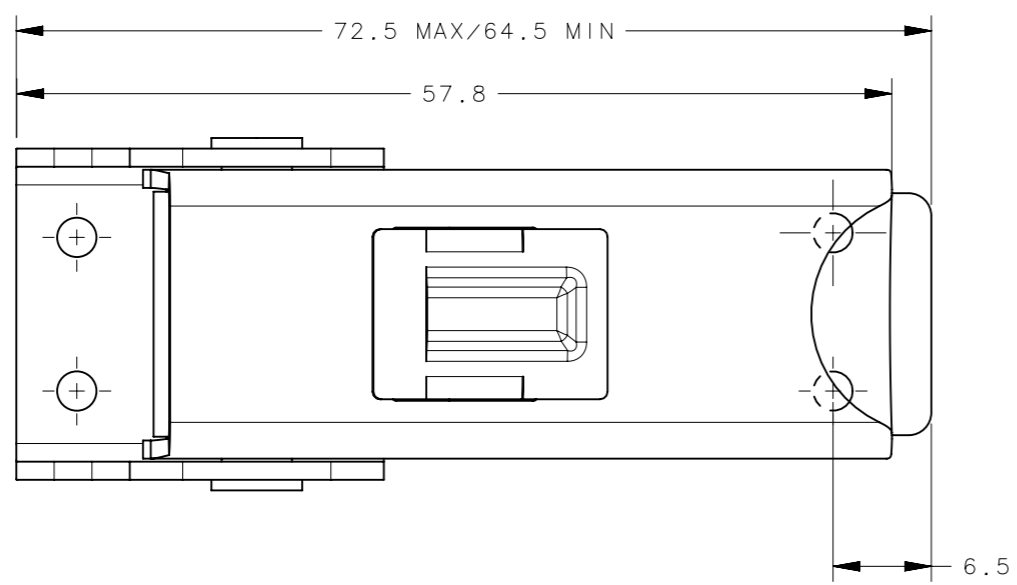
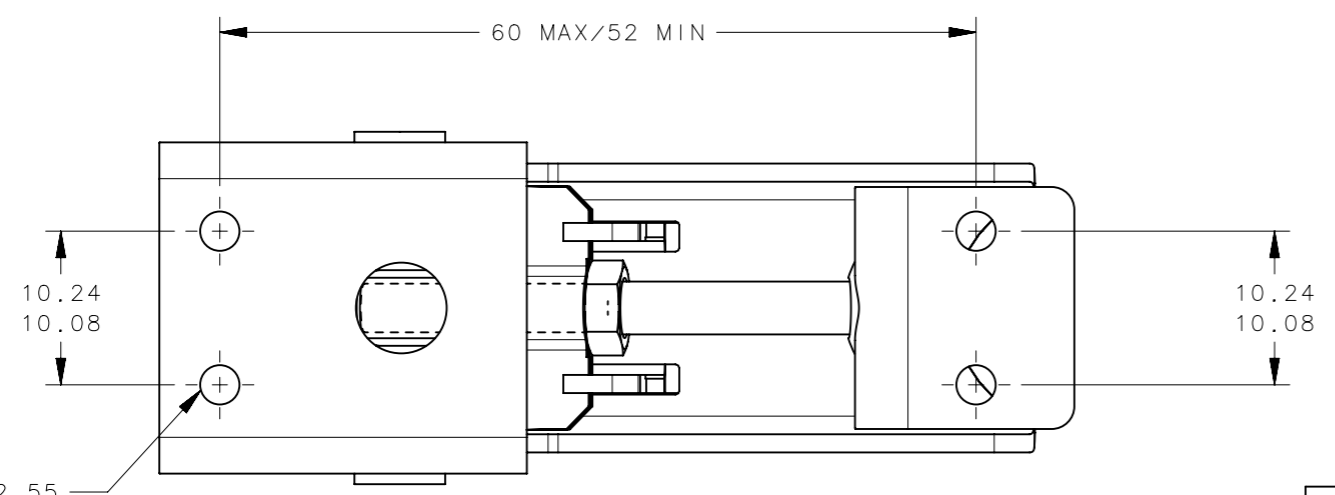
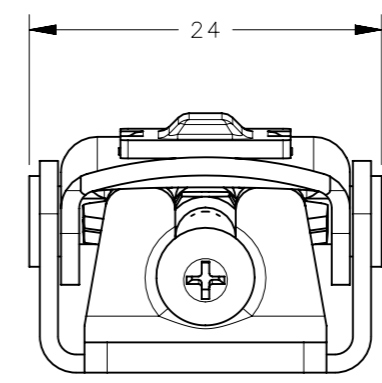
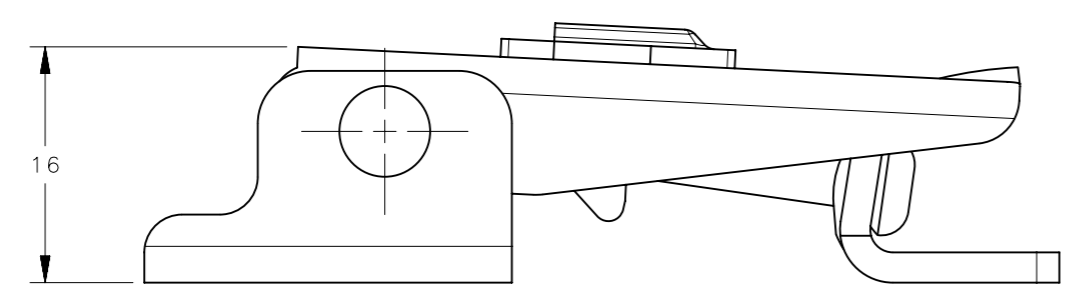


REVISION HISTORY			
REV	DATE	BY	DESCRIPTION
B	16MAY2023	GBD/DMS	PRN: P2023-0901



SCALE 1:1



NOTES :
1. REFER TO 3D MODEL FOR ANY DIMENSIONAL INFORMATION NOT LISTED.

91-361-07	TOGGLE LATCH	CARBON STEEL	ZINC PLATE AND TRIVALENT PASSIVATE
91-361-52	TOGGLE LATCH	STAINLESS STEEL	CLEAN
PART NUMBER	TYPE OF COMPONENT	MATERIAL	FINISH

CPB NUMBER	STANDARD	THIRD ANGLE PROJECTION			southco [®] CONNECT • CREATE • INNOVATE				
SURFACE AREA		MILLIMETERS [IN]							
VOLUME		TOLERANCES UNLESS OTHERWISE NOTED	DESCRIPTION ADJUSTABLE TOGGLE LATCH ASSY. SECONDARY LOCK						
PROPRIETARY ITEM		ALL DIMENSIONS WITHOUT TOLERANCES ARE FOR REFERENCE ONLY.							
EXCEPT FOR USES EXPRESSLY GRANTED IN WRITING, INFORMATION DISCLOSED HEREON IS CONFIDENTIAL AND ALL RIGHTS, PATENT AND OTHERWISE, ARE RESERVED BY SOUTHCO, INC.		PER ASME Y14.5M-1994	SIZE A3	SYSTEM NX	DWG NO. J-91-361-XX	DRAWN BY K. L SMITH/MJW	DATE 15JUN2005	SCALE 2:1	SHEET 1 OF 1