

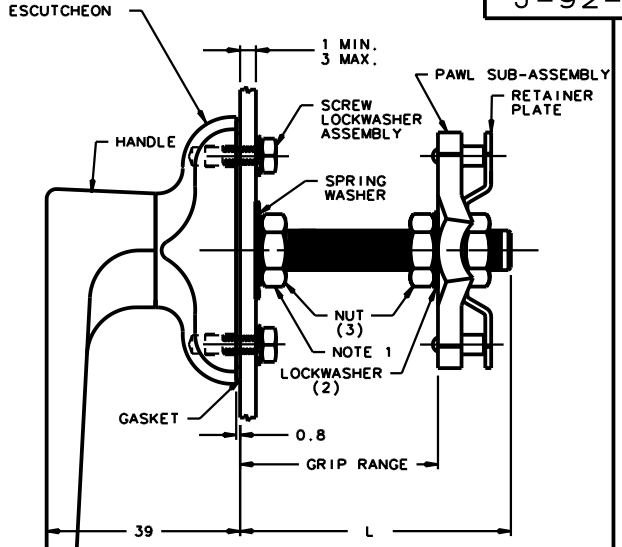
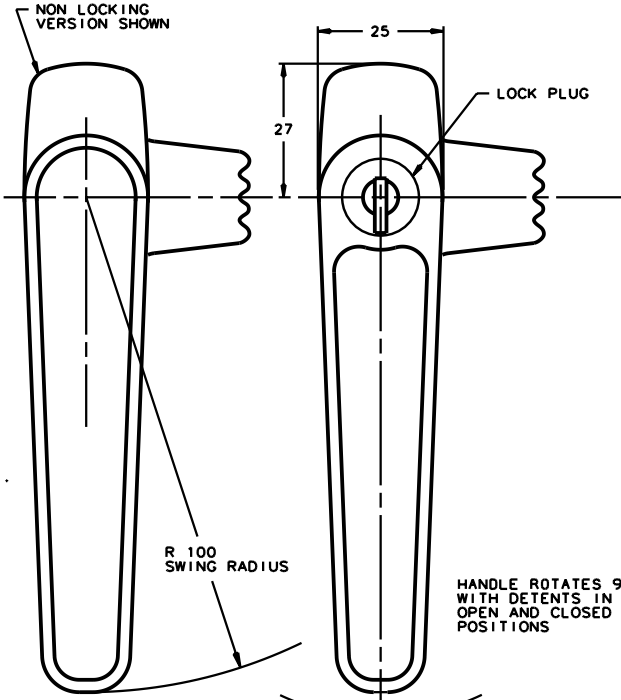
| HANDLE STYLE | L | GRIP RANGE | | ASSEMBLY PART NUMBERS SHORT PAWL | | ASSEMBLY PART NUMBERS LONG PAWL | |
|----------------------|------|------------|------|----------------------------------|-----------|---------------------------------|-----------|
| | | MIN. | MAX. | TYPE "A" | TYPE "B" | TYPE "A" | TYPE "B" |
| BRIGHT CHROME PLATED | | | | | | | |
| WITH LOCK | 32 | 16 | 19 | 92-41-111 | 92-42-111 | 92-41-112 | 92-42-112 |
| | 44.5 | 16 | 32 | 92-41-121 | 92-42-121 | 92-41-122 | 92-42-122 |
| | 57.5 | 16 | 44.5 | 92-41-131 | 92-42-131 | 92-41-132 | 92-42-132 |
| WITHOUT LOCK | 32 | 16 | 19 | 92-31-111 | 92-32-111 | 92-31-112 | 92-32-112 |
| | 44.5 | 16 | 32 | 92-31-121 | 92-32-121 | 92-31-122 | 92-32-122 |
| | 57.5 | 16 | 44.5 | 92-31-131 | 92-32-131 | 92-31-132 | 92-32-132 |
| BLACK POWDER COATED | | | | | | | |
| WITH LOCK | 32 | 16 | 19 | 92-41-511 | 92-42-511 | 92-41-512 | 92-42-512 |
| | 44.5 | 16 | 32 | 92-41-521 | 92-42-521 | 92-41-522 | 92-42-522 |
| | 57.5 | 16 | 44.5 | 92-41-531 | 92-42-531 | 92-41-532 | 92-42-532 |
| WITHOUT LOCK | 32 | 16 | 19 | 92-31-511 | 92-32-511 | 92-31-512 | 92-32-512 |
| | 44.5 | 16 | 32 | 92-31-521 | 92-32-521 | 92-31-522 | 92-32-522 |
| | 57.5 | 16 | 44.5 | 92-31-531 | 92-32-531 | 92-31-532 | 92-32-532 |

MATERIAL AND FINISH

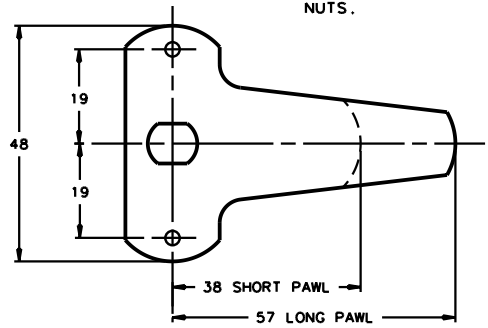
KEYS: BRASS, NICKEL PLATED. TO CH751.
 BLACK POWDER COATED ON HEAD, KEYED ALIKE
 LOCKPLUG: DIE CAST ZINC, BRIGHT STAINLESS STEEL SCALP OR LOCKSLIDE: DIE CAST ZINC WITH CHEMICAL PROTECTIVE FILM.
 PIN: 1008 STEEL, ZINC PLATED PLUS YELLOW CHROMATE .
 O-RING: BUNA-N RUBBER, NATURAL
 SPRING WASHER: 300 STAINLESS STEEL, ZINC PLATE PLUS BRIGHT CHROMATE.
 GASKET: SBR RUBBER WITH FIBER, NATURAL.
 PLUS SEALER.
 LOCKWASHERS: SPRING STEEL, ZINC ALLOY PLATE, BRIGHT CHROMATE
 CARBON STEEL, ZINC ALLOY PLATE, BRIGHT CHROMATE PLUS SEALER.
 SHAFT, NUTS, MOUNTING SCREWS, RETAINER PLATE, PAWL: LOW OR BLACK POWDER COATED.
 HANDLE & ESCUTCHEON: DIE CAST ZINC, BRIGHT CHROME PLATED

INSTALLATION

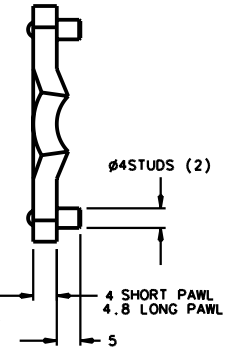
1. PREPARE PANEL AS SHOWN
2. ASSEMBLE HARDWARE AS SHOWN
3. MOVE PAWL ASSEMBLY TO DESIRED GRIP POSITION AND TIGHTEN NUTS AGAINST PAWL ASSEMBLY WITH TWO WRENCHES.
4. FOR THREE-POINT LATCHING, INSTALL RODS ON STUDS BEFORE TIGHTENING NUTS.



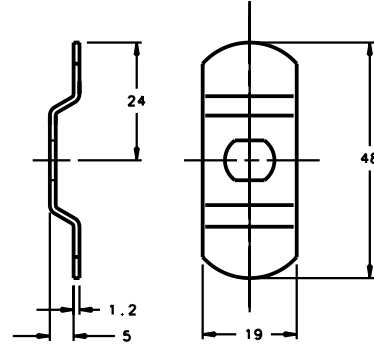
NOTE 1: DO NOT ALTER THIS FACTORY PRE-SET NUT.



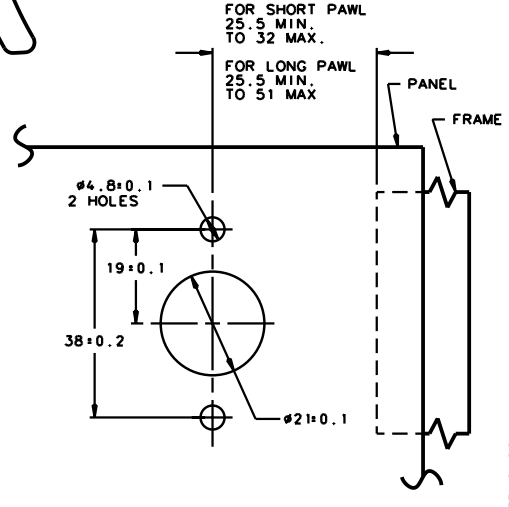
PAWL SUB-ASSEMBLY



RETAINER PLATE



PANEL PREPARATION



FORMAT B 2/88
 PROPRIETARY ITEM - EXCEPT FOR USES EXPRESSLY GRANTED IN WRITING INFORMATION DISCLOSED HEREON IS CONFIDENTIAL AND ALL RIGHTS PATENT AND OTHERWISE ARE RESERVED BY SOUTHCO, INC.

ALL DIMENSIONS ARE IN MILLIMETERS
 ALL DIMENSIONS WITHOUT TOLERANCES ARE REFERENCE.
 THIRD ANGLE PROJECTION DRAWING.