

**southco**

PROPRIETARY ITEM - EXCEPT FOR USES EXPRESSLY GRANTED IN WRITING INFORMATION DISCLOSED HEREON IS CONFIDENTIAL AND ALL RIGHTS, PATENT AND OTHERWISE ARE RESERVED BY SOUTHCO, INC.

SOUTHCO No. 96 ADJUSTABLE  
LIFT-OFF HINGE - REAR MOUNTED

DATE	DRAWN	CHKD	SCALE	DRAWING NUMBER
8-2-90	RHB		1:1	J-96-10-570

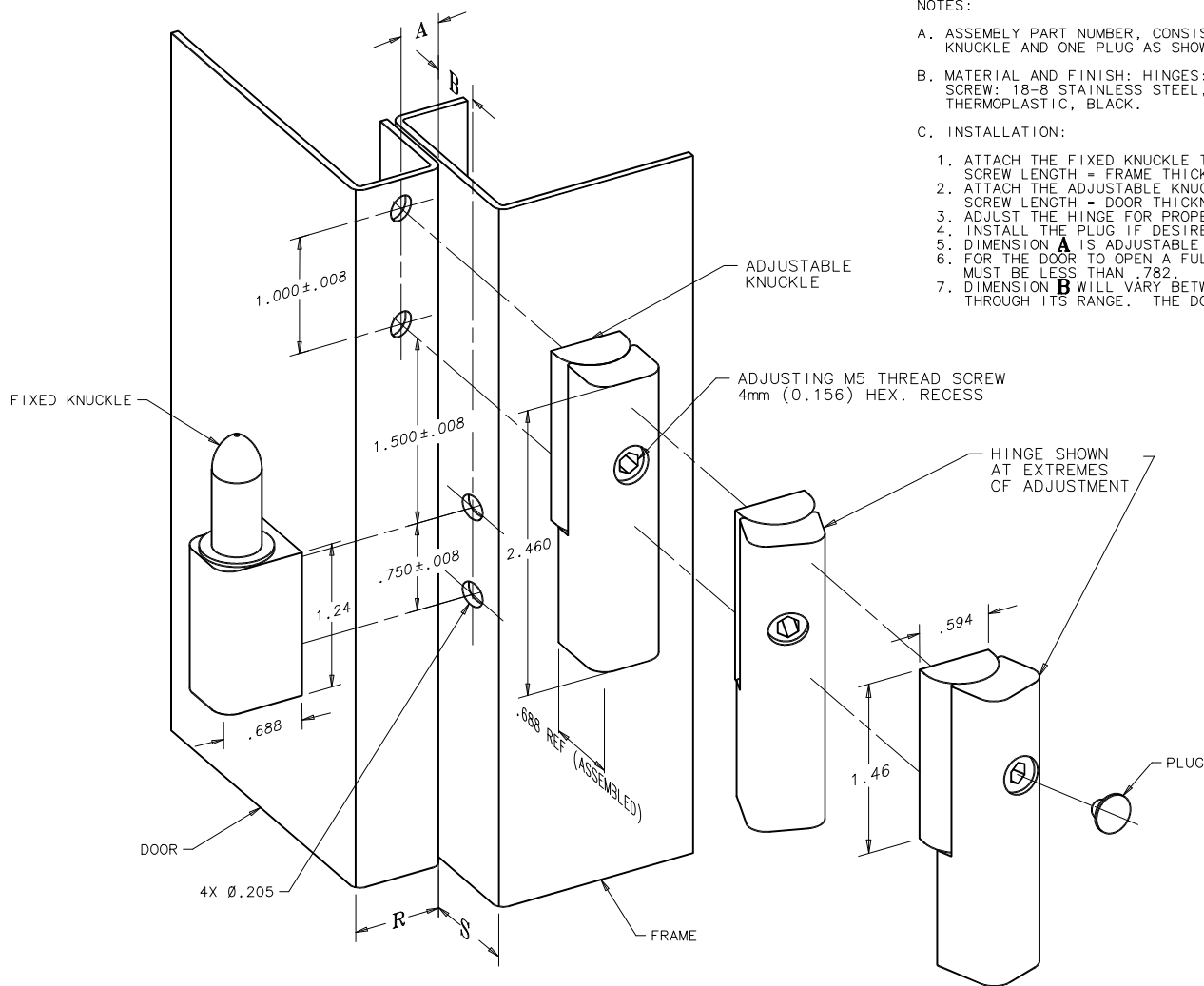
REV	DATE	DRAWN/CHKD	DESCRIPTION
A	09JAN1992	GWf	PRN: 96-44
B	06MAR1999	CHW	PRN: 96-104
C	14MAR2005	AAB/RLR	PRN: P2005-0460
D	08JUL2013	CMS/MSF	PRN: P2013-1391

**INCHES**

ALL DIMENSIONS WITHOUT TOLERANCES ARE FOR REFERENCE ONLY.

THIRD ANGLE PROJECTION

B PAPER SIZE



NOTES:

- A. ASSEMBLY PART NUMBER, CONSISTING OF ONE FIXED KNUCKLE, ONE ADJUSTABLE KNUCKLE AND ONE PLUG AS SHOWN: 96-10-570.
- B. MATERIAL AND FINISH: HINGES: DIE CAST ZINC, BLACK POLYESTER POWDER COATED; SCREW: 18-8 STAINLESS STEEL, BLACK OXIDE; NUT: DIE CAST ZINC. PLUG IS THERMOPLASTIC, BLACK.
- C. INSTALLATION:
  1. ATTACH THE FIXED KNUCKLE TO THE FRAME USING 10-32 SCREWS FROM BEHIND. SCREW LENGTH = FRAME THICKNESS PLUS .30.
  2. ATTACH THE ADJUSTABLE KNUCKLE TO THE DOOR USING 10-32 SCREWS FROM BEHIND. SCREW LENGTH = DOOR THICKNESS PLUS .30.
  3. ADJUST THE HINGE FOR PROPER GASKET COMPRESSION.
  4. INSTALL THE PLUG IF DESIRED.
  5. DIMENSION **A** IS ADJUSTABLE FROM .297 TO .499.
  6. FOR THE DOOR TO OPEN A FULL 180°, EITHER DIMENSION **R** OR **S** DIMENSION MUST BE LESS THAN .782.
  7. DIMENSION **B** WILL VARY BETWEEN .377 AND .391 AS DIMENSION **A** IS ADJUSTED THROUGH ITS RANGE. THE DOOR AND FRAME DESIGN MUST ALLOW FOR THIS VARIATION.