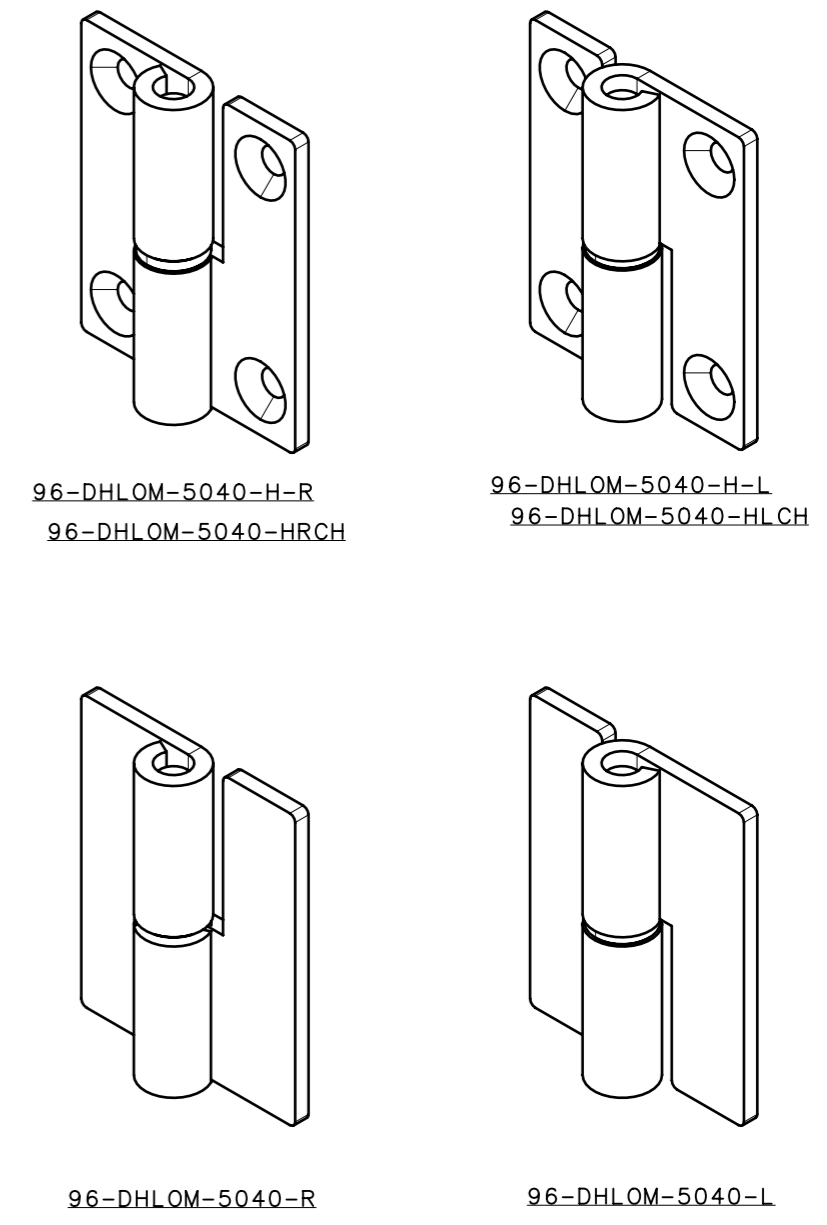
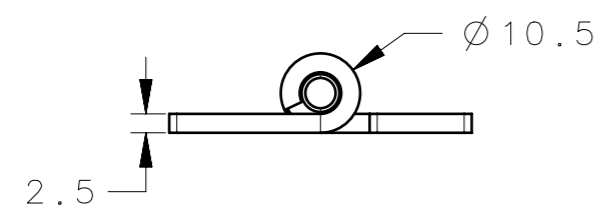
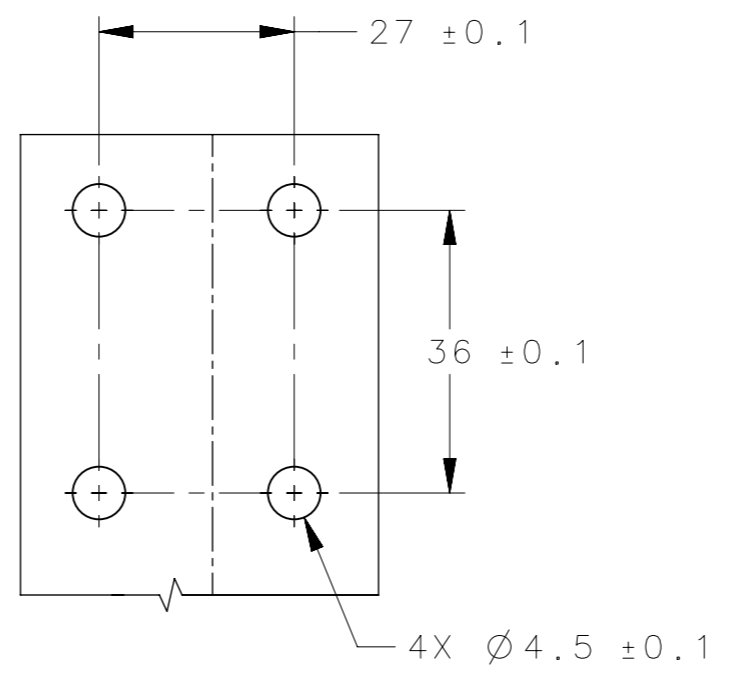
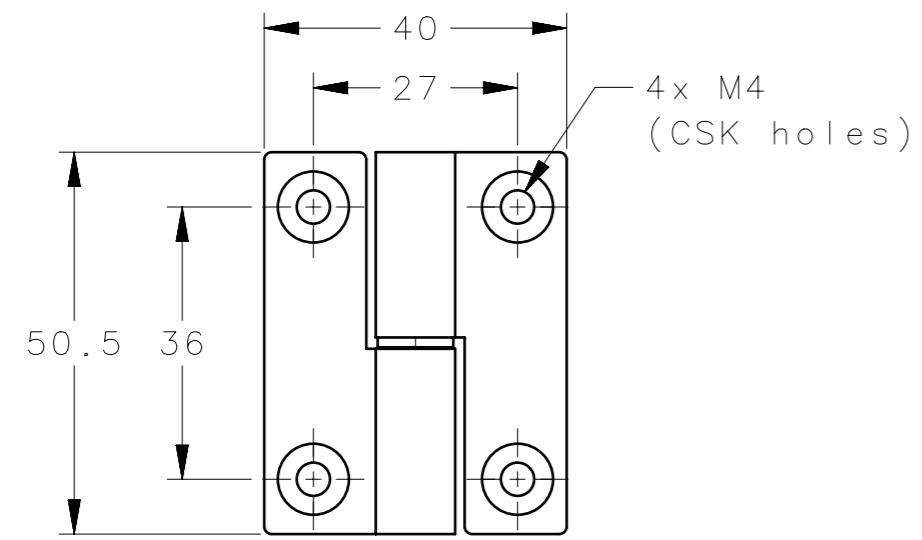


REVISION HISTORY			
REV	DATE	BY	DESCRIPTION
B	15JUL2024	SBK/VK	PRN: P2024-1220



SOUTHCO PART NUMBER	DESCRIPTION	MATERIAL	FINISH	MOUNTING HOLE STYLE
96-DHLOM-5040-H-R	LIFT-OFF HINGES	MS	BLUE ZINC PLATED	CSK M4 HOLE
96-DHLOM-5040-H-L	LIFT-OFF HINGES	MS	BLUE ZINC PLATED	CSK M4 HOLE
96-DHLOM-5040-HRCH	LIFT-OFF HINGES	MS	CHROME PLATED	CSK M4 HOLE
96-DHLOM-5040-HLCH	LIFT-OFF HINGES	MS	CHROME PLATED	CSK M4 HOLE
96-DHLOM-5040-R	LIFT-OFF HINGES	MS	BLUE ZINC PLATED	NA
96-DHLOM-5040-L	LIFT-OFF HINGES	MS	BLUE ZINC PLATED	NA

CPB NUMBER 2024-0166	THIRD ANGLE PROJECTION			
SURFACE AREA mm ²	MILLIMETERS [IN]			
VOLUME mm ³	TOLERANCES UNLESS OTHERWISE NOTED	DESCRIPTION LIFT-OFF HINGES		
PROPRIETARY ITEM EXCEPT FOR USES EXPRESSLY GRANTED IN WRITING, INFORMATION DISCLOSED HEREON IS CONFIDENTIAL AND ALL RIGHTS, PATENT AND OTHERWISE, ARE RESERVED BY SOUTHCO, INC.	ALL DIMENSIONS WITHOUT TOLERANCES ARE FOR REFERENCE ONLY.	SIZE A3	SYSTEM NX	DWG NO. J-96-DHLOM-5040
PER ASME Y14.5M-2009		DRAWN BY SBK	DATE 18MAR2024	SCALE 1:1
		SHEET		1 OF 1

NOTES:-
 1. MOUNTING SCREWS NOT SUPPLIED.
 2. OPENING ANGLE 180°.