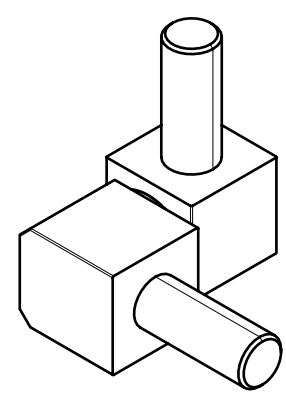
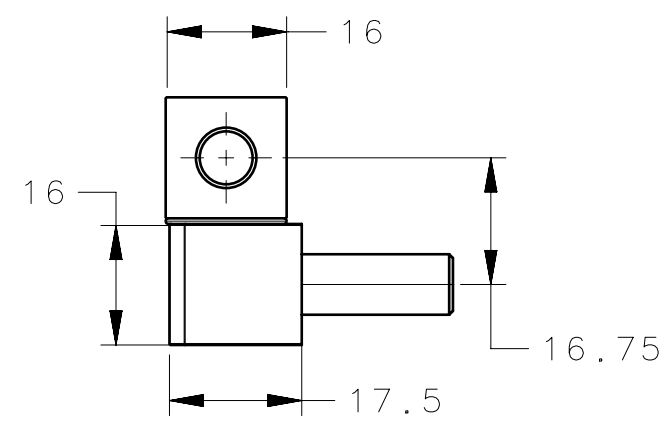
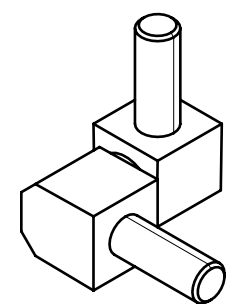
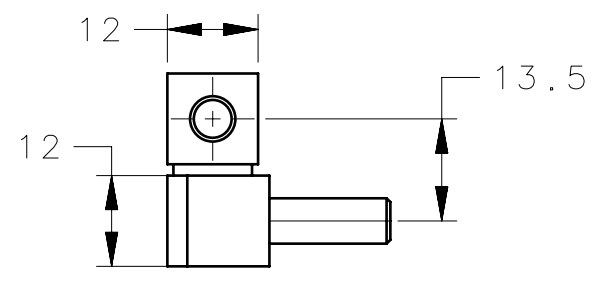
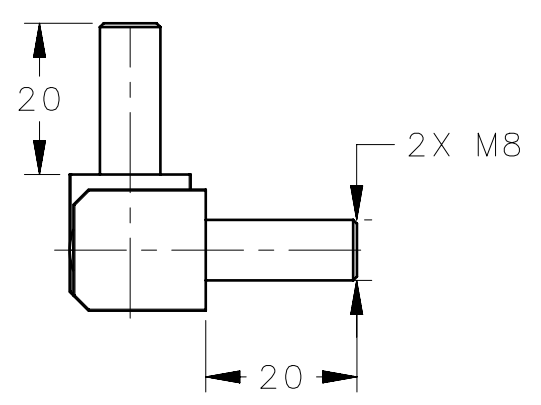


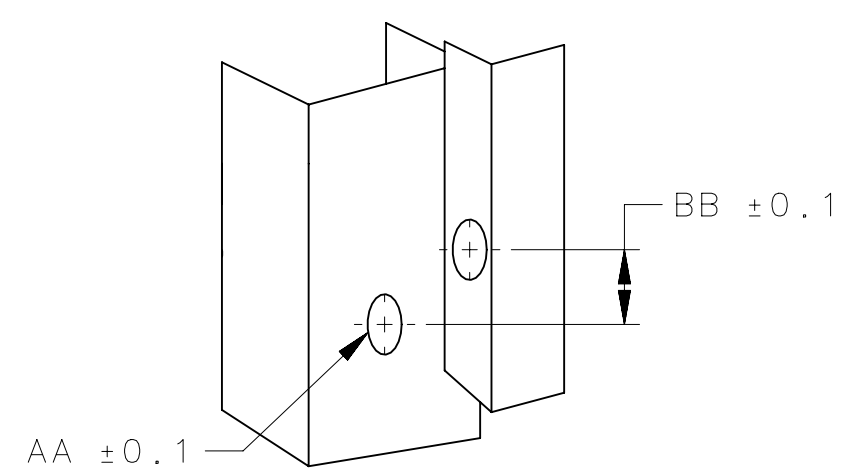
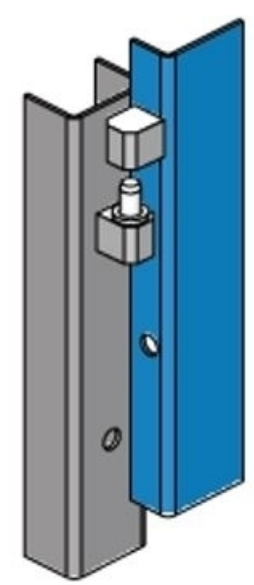
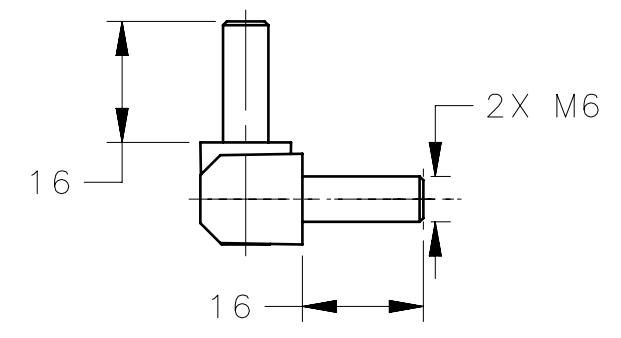
REVISION HISTORY			
REV	DATE	BY	DESCRIPTION
A	03JUN2024	SBK/VK	IPN: IP-2024-1316



96-DMLOH-16-8-2



96-DMLOH-12-6-2



PANEL PREPARATION

- NOTES :-
1. MOUNTING SCREWS NOT SUPPLIED.
 2. OPENING ANGLE 180°.

96-DMLOH-16-8-2	LIFT-OFF HINGES	DIE CAST ZINC	BLACK PC	8.5mm (M8)	16.75 mm
96-DMLOH-12-6-2	LIFT-OFF HINGES	DIE CAST ZINC	BLACK PC	6.5mm (M6)	13.5 mm
SOUTHCO PART NUMBER	DESCRIPTION	MATERIAL	FINISH	AA (HOLE SIZE)	BB (HOLE CD)
CPB NUMBER 2024-0166	THIRD ANGLE PROJECTION				
MILLIMETERS [IN]					
SURFACE AREA mm ²		TOLERANCES UNLESS OTHERWISE NOTED		southco [®] CONNECT • CREATE • INNOVATE LIFT-OFF HINGES	
VOLUME mm ³		ALL DIMENSIONS WITHOUT TOLERANCES ARE FOR REFERENCE ONLY.			
PROPRIETARY ITEM		SIZE A3	SYSTEM NX	DWG NO. J-96-DMLOH	
EXCEPT FOR USES EXPRESSLY GRANTED IN WRITING, INFORMATION DISCLOSED HEREON IS CONFIDENTIAL AND ALL RIGHTS, PATENT AND OTHERWISE, ARE RESERVED BY SOUTHCO, INC.		PER ASME Y14.5M-2009	DRAWN BY SBK/VK	DATE 06MAR2024	SCALE 1:1
				SHEET 1 OF 1	