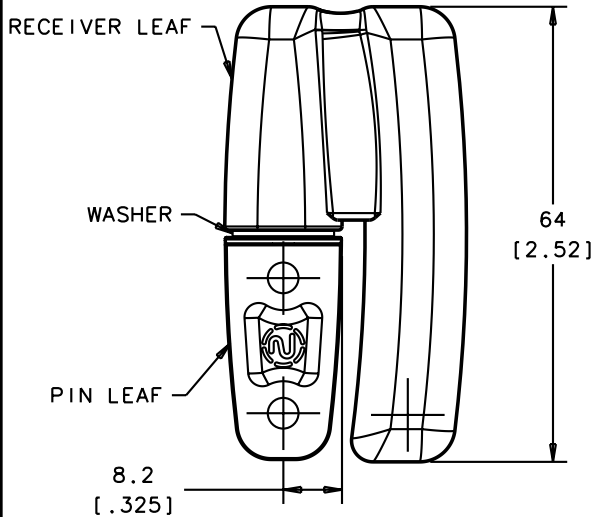
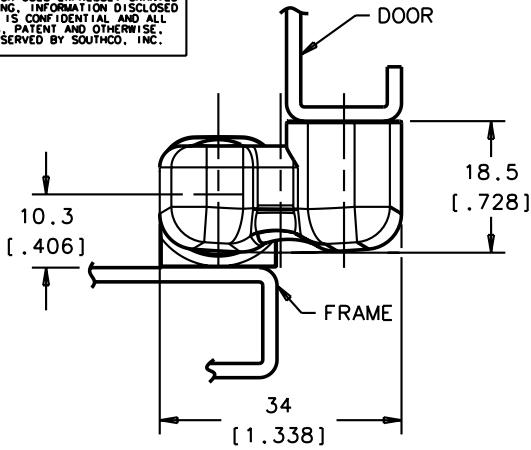


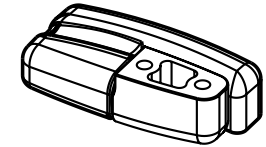
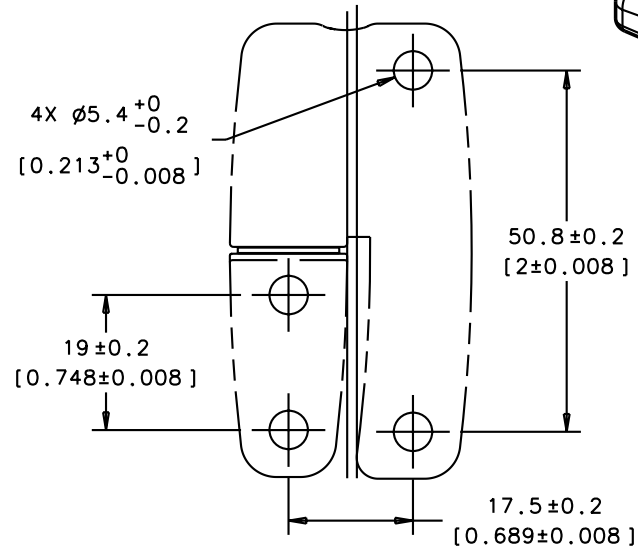
PROPRIETARY ITEM  
EXCEPT FOR USES EXPRESSLY GRANTED  
IN WRITING, INFORMATION DISCLOSED  
HEREON IS CONFIDENTIAL AND ALL  
RIGHTS, PATENT AND OTHERWISE,  
ARE RESERVED BY SOUTHCO, INC.



- NOTES:
- A. ATTACH HINGE WITH M5 X 0.8 SCREWS.
  - B. MAXIMUM SCREW LENGTH:  
DOOR OR FRAME THICKNESS PLUS 10.16.
  - C. MATERIAL AND FINISH:  
PIN AND RECEIVER LEAF- CF-8M STAINLESS STEEL  
(NOMINAL CAST EQUIVALENT  
OF 316 STAINLESS STEEL)

REVISION HISTORY				
REV	DATE	DRAWN	CHECKED	DESCRIPTION
A	10JUN2008	DJK	RLR	PRN: P2008-0615

**PANEL PREPERATION**



SCALE 1:2

RECEIVER LEAF	-	SEE NOTE C	BRIGHT POLISH
WASHER	-	NYLON	-
PIN LEAF	-	SEE NOTE C	BRIGHT POLISH
PIN ASSEMBLY	-	-	-
ASSEMBLY	96-MA-8A-24	-	-
ITEM	PART NUMBER	MATERIAL	FINISH

THIRD ANGLE  
PROJECTION



ALL DIMENSIONS WITHOUT  
TOLERANCES ARE FOR  
REFERENCE ONLY.

**southco**<sup>®</sup>

CONNECT · CREATE · INNOVATE

TITLE  
NO.96-LIFT-OFF HINGE  
OFFSET STYLE, TYPE A

MILLIMETERS [IN]

SIZE A4	SYSTEM I-DEAS	DWG NO J-96-MA-8A
------------	------------------	----------------------

DRWN/CHKD VSA/VGV	DATE 10JUN2008	SCALE 1:1	SHEET 1 OF 1
----------------------	-------------------	--------------	-----------------