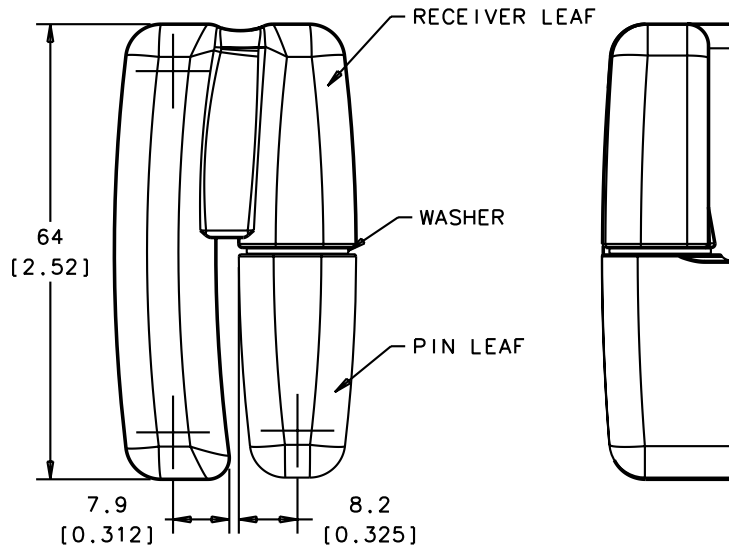
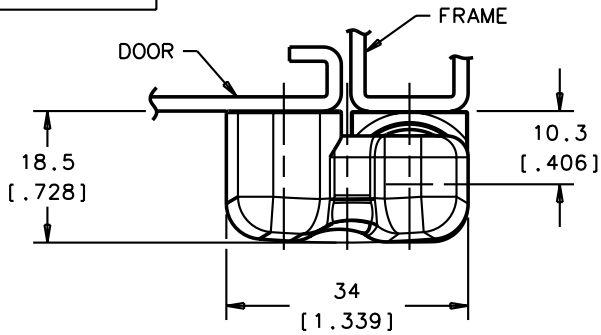


PROPRIETARY ITEM  
EXCEPT FOR USES EXPRESSLY GRANTED  
IN WRITING, INFORMATION DISCLOSED  
HEREON IS CONFIDENTIAL AND ALL  
RIGHTS, PATENT AND OTHERWISE,  
ARE RESERVED BY SOUTHCO, INC.

REVISION HISTORY				
REV	DATE	DRAWN	CHECKED	DESCRIPTION
A	10JUN2008	DJK	RLR	PRN: P2008-0615

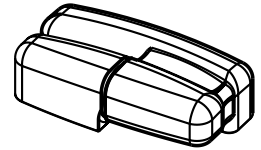
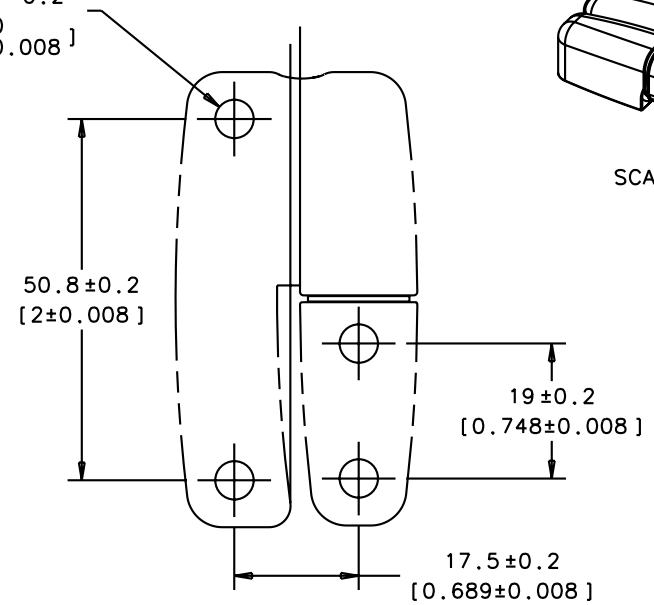


NOTES:

- A. ATTACH HINGE WITH M5 X 0.8 SCREWS.
- B. MAXIMUM SCREW LENGTH:  
DOOR OR FRAME THICKNESS PLUS 10.16.
- C. MATERIAL AND FINISH:  
PIN AND RECEIVER LEAF- CF-8M STAINLESS STEEL  
(NOMINAL CAST EQUIVALENT  
OF 316 STAINLESS STEEL).

4X  $\phi 5.4^{+0}_{-0.2}$   
[0.213<sup>+0</sup><sub>-0.008</sub>]

PANEL PREPARATION



SCALE 1:2

RECEIVER LEAF	-	SEE NOTE C	BRIGHT POLISH
WASHER	-	NYLON	-
PIN LEAF	-	SEE NOTE C	BRIGHT POLISH
PIN ASSEMBLY	-	-	-
ASSEMBLY	96-MA-8B-24	-	-
ITEM	PART NUMBER	MATERIAL	FINISH

THIRD ANGLE  
PROJECTION



ALL DIMENSIONS WITHOUT  
TOLERANCES ARE FOR  
REFERENCE ONLY.

MILLIMETERS [IN]

**southco**<sup>®</sup>

CONNECT · CREATE · INNOVATE

TITLE  
NO.96-LIFT-OFF HINGE  
OFFSET STYLE, TYPE B

SIZE A4	SYSTEM I-DEAS	DWG NO J-96-MA-8B
------------	------------------	----------------------

DRWN/CHKD VSA/VGV	DATE 10JUN2008	SCALE 1:1	SHEET 1 OF 1
----------------------	-------------------	--------------	-----------------