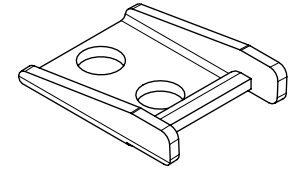
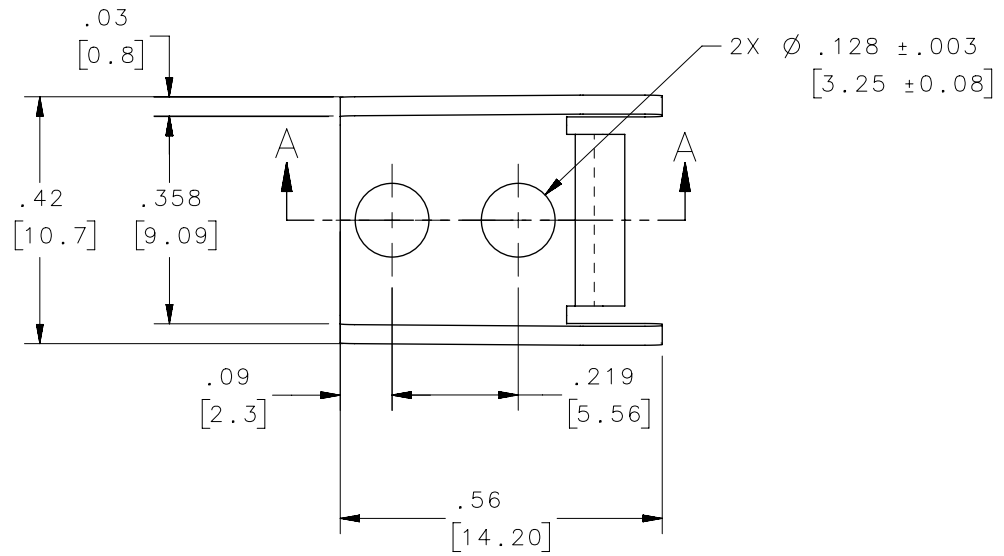
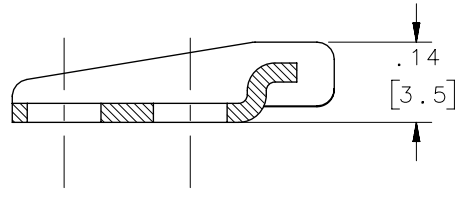


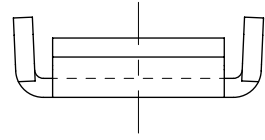
REVISION HISTORY			
REV	DATE	BY	DESCRIPTION
B	22JAN2019	CB1/DMS	PRN: P2019-0167



SCALE 2:1



SECTION A-A



97-37-103-11	STEEL	ZINC PLATED-BRIGHT
97-37-103-15	STEEL	BLACK POLYESTER POWDER COATED
97-37-103-24	STAINLESS STEEL	PASSIVATED
97-37-103-25	STAINLESS STEEL	BLACK ORGANIC COATING
PART NUMBER	MATERIAL	FINISH

	THIRD ANGLE PROJECTION	 CONNECT • CREATE • INNOVATE			
	INCHES [MM]				
SURFACE AREA	TOLERANCES UNLESS OTHERWISE NOTED	DESCRIPTION			
VOLUME	ALL DIMENSIONS WITHOUT TOLERANCES ARE FOR REFERENCE ONLY.	No. 97-30 SERIES KEEPER			
PROPRIETARY ITEM		SIZE A	SYSTEM NX	DWG NO. J-97-37-103	
EXCEPT FOR USES EXPRESSLY GRANTED IN WRITING, INFORMATION DISCLOSED HEREON IS CONFIDENTIAL AND ALL RIGHTS, PATENT AND OTHERWISE, ARE RESERVED BY SOUTHCO, INC.	PER ASME Y14.5M-1994	DRAWN BY TAB	DATE 02MAY1990	SCALE 3:1	SHEET 1 OF 1