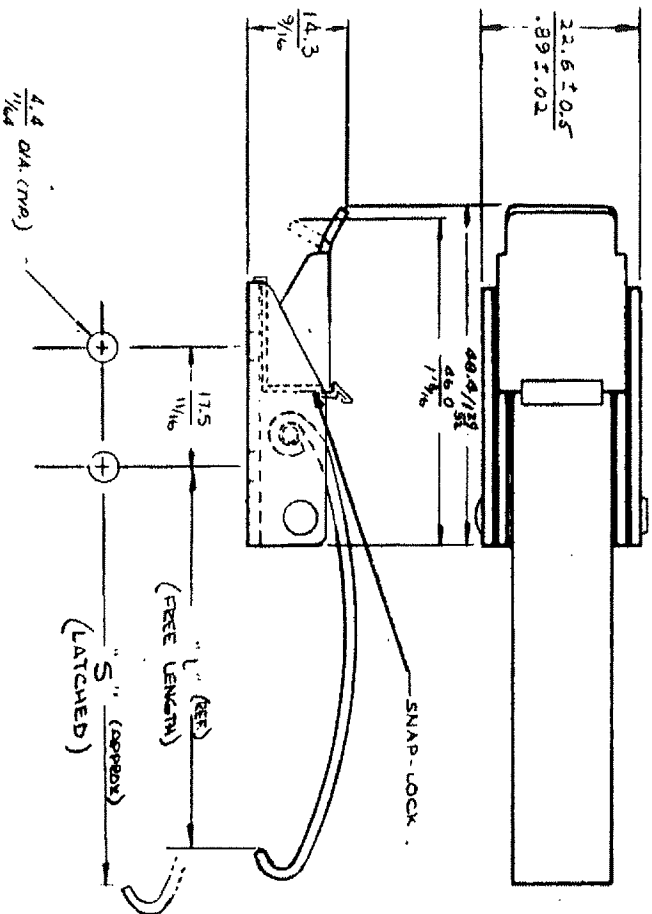


LEVER STYLE	SPRING RATING	SPRING LENGTH	PART NUMBER		L	S
			ACTUATING TAB UP	ACTUATING TAB DOWN		
LEVER STYLE	SPRING RATING	SPRING LENGTH	SHORT	97-50-110-2X	29.4 / 1 5/8	31.8 / 1 1/4
			MEDIUM	97-50-170-2X	42.1 / 1 11/16	44.8 / 1 3/4
ACTUATING TAB UP	LIGHT DUTY	LONG	97-50-130-2X	54.8 / 2 1/2	57.1 / 2 1/4	
			SHORT	97-50-150-2X	29.4 / 1 1/2	31.8 / 1 1/4
ACTUATING TAB UP	HEAVY DUTY	MEDIUM	97-50-160-2X	42.1 / 1 11/16	44.8 / 1 3/4	
			LONG	97-50-170-2X	54.8 / 2 1/2	57.1 / 2 1/4
ACTUATING TAB DOWN	LIGHT DUTY	SHORT	97-50-210-2X	29.4 / 1 1/2	31.8 / 1 1/4	
			MEDIUM	97-50-220-2X	42.1 / 1 11/16	44.8 / 1 3/4
ACTUATING TAB DOWN	HEAVY DUTY	LONG	97-50-230-2X	54.8 / 2 1/2	57.1 / 2 1/4	
			SHORT	97-50-250-2X	29.4 / 1 1/2	31.8 / 1 1/4
			97-50-260-2X	42.1 / 1 11/16	44.8 / 1 3/4	
			97-50-270-2X	54.8 / 2 1/2	57.1 / 2 1/4	

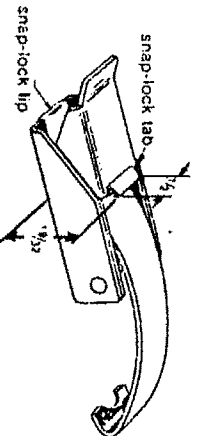
No 97 DRAW CATCH - MOUNTING SPECIFICATIONS
ASSEMBLIES WITH SNAP-LOCK

DATE	DRAWN	CHKD	SCALE	DRAWING NUMBER
12-22-83	TCC		NTS	J-97-50-21-1

PART NUMBER PREFIX - INDICATES MATERIAL & FINISH
 - 21 ~ LEVER, BASE AND SPRING - STEEL; ZINC PLATE OR LIGHT, PIN & RIVET - S/S ; NATURAL
 SNAP LOCK - STEEL; ZINC PLATE PLUS BLACK ORGANIC COATING
 - 22 ~ LEVER, BASE AND SPRING - STAINLESS STEEL, PASSIVATED
 PIN AND RIVET - STAINLESS STEEL, NATURAL
 SNAP LOCK - STAINLESS STEEL, BLACK ORGANIC COATING



NOTE ~ SNAP-LOCK SHIPPED UNASSEMBLED



To install

While installing latch base, position turned down tip of snap-lock against rear edge of base to align mounting holes. Insert mounting screw or rivet through both parts.

To open, push snap-lock tab forward and lift latch lever.

To close, just push lever back down, snap-lock will spring to locked position.