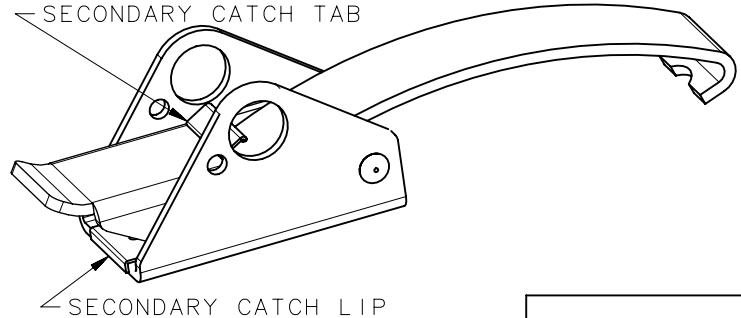
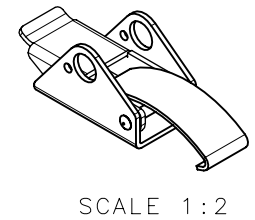
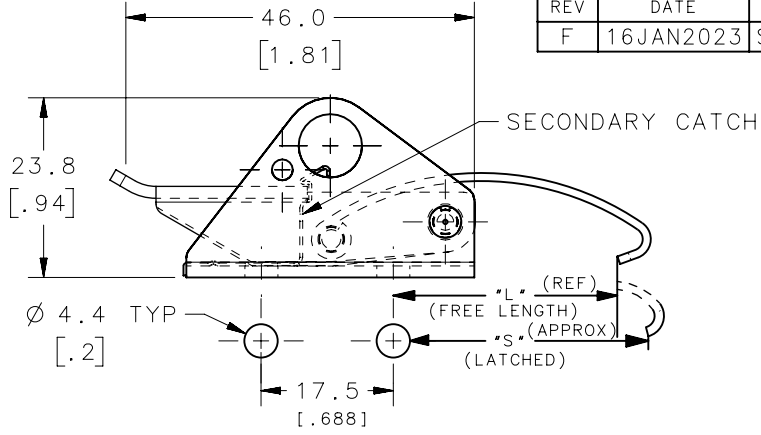
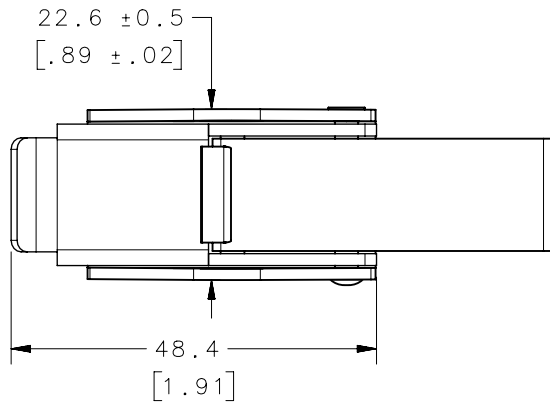


REVISION HISTORY			
REV	DATE	BY	DESCRIPTION
F	16JAN2023	SAK/DMS	PRN:P2023-0091



PART NUMBER SUFFIX INDICATES MATERIAL & FINISH

21 - LEVER, BASE, SPRING - STEEL ZINC PLATE, BRIGHT, PIN & RIVET-STAINLESS STEEL NATURAL: SECONDARY CATCH-STEEL, ZINC PLATE PLUS BLACK ORGANIC COATING.

22 - LEVER, BASE, SPRING - STAINLESS STEEL PASSIVATE. PIN AND RIVET - STAINLESS STEEL, NATURAL. SECONDARY CATCH - STAINLESS STEEL, BLACK ORGANIC COATING. (HEAVY - DUTY SPRING RATING AVAILABLE IN STEEL ONLY)

- NOTES:
1. SECONDARY CATCH SHIPPED UNASSEMBLED.
 2. TO INSTALL SECONDARY LATCH: WHILE INSTALLING LATCH BASE POSITION TURNED DOWN LIP OF SECONDARY CATCH AGAINST NEAR EDGE OF BASE TO ALIGN MOUNTING HOLES INSERT MOUNTING SCREW OF RIVET THROUGH BOTH PARTS.
 3. TO OPEN, PUSH SECONDARY CATCH TAB FORWARD AND LIFT LATCH LEVER.
 4. TO CLOSE JUST PUSH LEVER BACK DOWN, SECONDARY CATCH WILL SPRING TO LOCKED POSITION.

LEVER STYLE	SPRING RATING	SPRING LENGTH	PART NUMBER	L	S
ACTUATING TAB DOWN	HEAVY DUTY	LONG	97-50-470-21	(54.80) (2.15)	(57.10) (2.24)
		MEDIUM	97-50-460-21	(42.10) (1.65)	(44.40) (1.74)
		SHORT	97-50-450-21	(29.40) (1.15)	(31.80) (1.25)
ACTUATING TAB UP	LIGHT DUTY	LONG	97-50-430-2X	(54.80) (2.15)	(57.10) (2.24)
		MEDIUM	97-50-420-2X	(42.10) (1.65)	(44.40) (1.74)
		SHORT	97-50-410-2X	(29.40) (1.15)	(31.80) (1.25)
ACTUATING TAB UP	HEAVY DUTY	LONG	97-50-370-21	(54.80) (2.15)	(57.10) (2.24)
		MEDIUM	97-50-360-21	(42.10) (1.65)	(44.40) (1.74)
		SHORT	97-50-350-21	(29.40) (1.15)	(31.80) (1.25)
ACTUATING TAB UP	LIGHT DUTY	LONG	97-50-330-2X	(54.80) (2.15)	(57.10) (2.24)
		MEDIUM	97-50-320-2X	(42.10) (1.65)	(44.40) (1.74)
		SHORT	97-50-310-2X	(29.40) (1.15)	(31.80) (1.25)

THIRD ANGLE PROJECTION

MILLIMETERS [IN]

TOLERANCES UNLESS OTHERWISE NOTED

ALL DIMENSIONS WITHOUT TOLERANCES ARE FOR REFERENCE ONLY.

PROPRIETARY ITEM
EXCEPT FOR USES EXPRESSLY GRANTED IN WRITING, INFORMATION DISCLOSED HEREON IS CONFIDENTIAL AND ALL RIGHTS, PATENT AND OTHERWISE, ARE RESERVED BY SOUTHCO, INC.

PER ASME Y14.5M-1994

southco[®]
CONNECT • CREATE • INNOVATE

DESCRIPTION
NO 97 DRAW LATCH (WITH SECURITY FEATURES) ASSEMBLIES WITH SECONDARY CATCH

SIZE A SYSTEM NX DWG NO. J-97-50-21-4

DRAWN BY TCC DATE 22DEC1983 SCALE 1:1 SHEET 1 OF 1