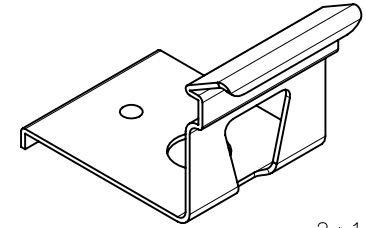
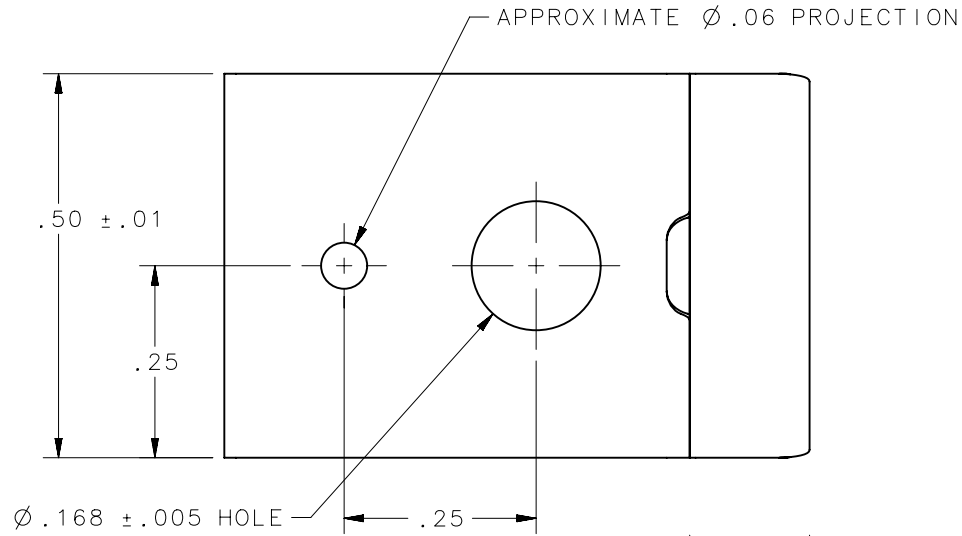
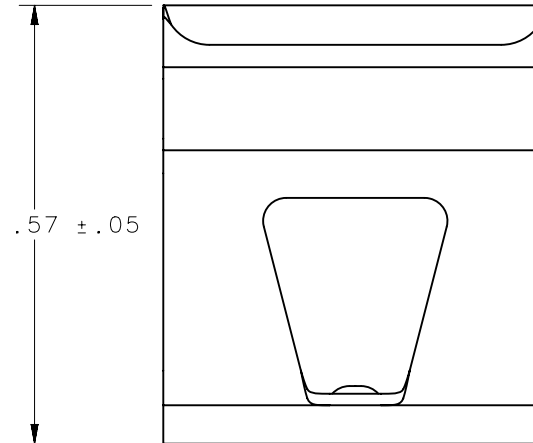
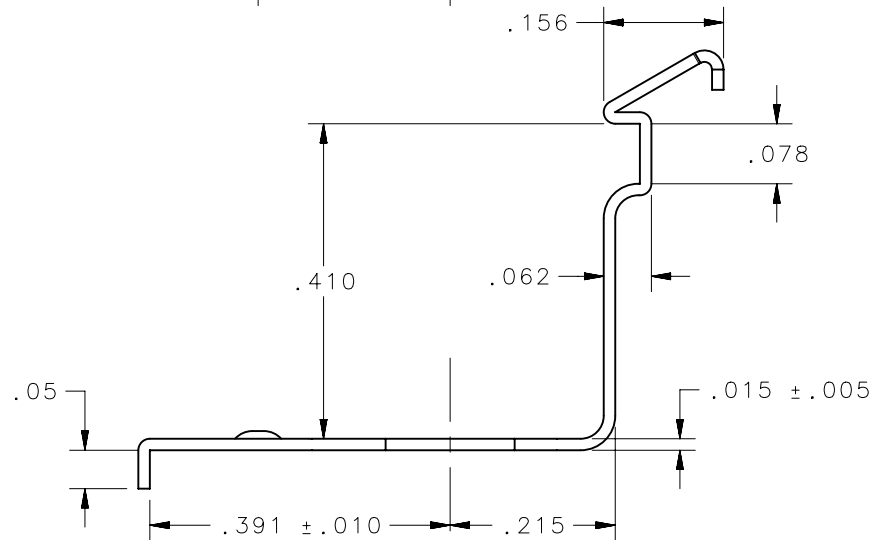


REVISION HISTORY

REV	DATE	BY	DESCRIPTION
E	31AUG2011	MJS/CMS	PRN: P2011-0600



SCALE 2:1



97-58-101-11	SPRING CATCH	SPRING STEEL	BLACK ORGANIC COATING
97-58-101-24	SPRING CATCH	STAINLESS STEEL	NATURAL
97-58-101-25	SPRING CATCH	STAINLESS STEEL	BLACK ORGANIC COATING
SOUTHCO PART NUMBER	TYPE OF COMPONENT	MATERIAL	FINISH

THIRD ANGLE PROJECTION

INCHES [MM]

TOLERANCES UNLESS OTHERWISE NOTED

ALL DIMENSIONS WITHOUT TOLERANCES ARE FOR REFERENCE ONLY.

PROPRIETARY ITEM
EXCEPT FOR USES EXPRESSLY GRANTED IN WRITING, INFORMATION DISCLOSED HEREON IS CONFIDENTIAL AND ALL RIGHTS, PATENT AND OTHERWISE, ARE RESERVED BY SOUTHCO, INC.

PER ASME Y14.5M-1994

southco[®]
CONNECT • CREATE • INNOVATE

DESCRIPTION
No. 97 SPRING CATCH

SIZE A	SYSTEM NX	DWG NO. J-97-58-101
-----------	--------------	------------------------

DRAWN BY GJC	DATE 08SEP1988	SCALE 4:1	SHEET 1 OF 1
-----------------	-------------------	--------------	-----------------