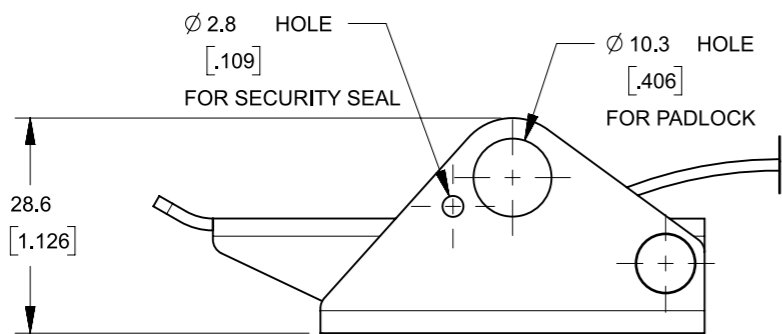
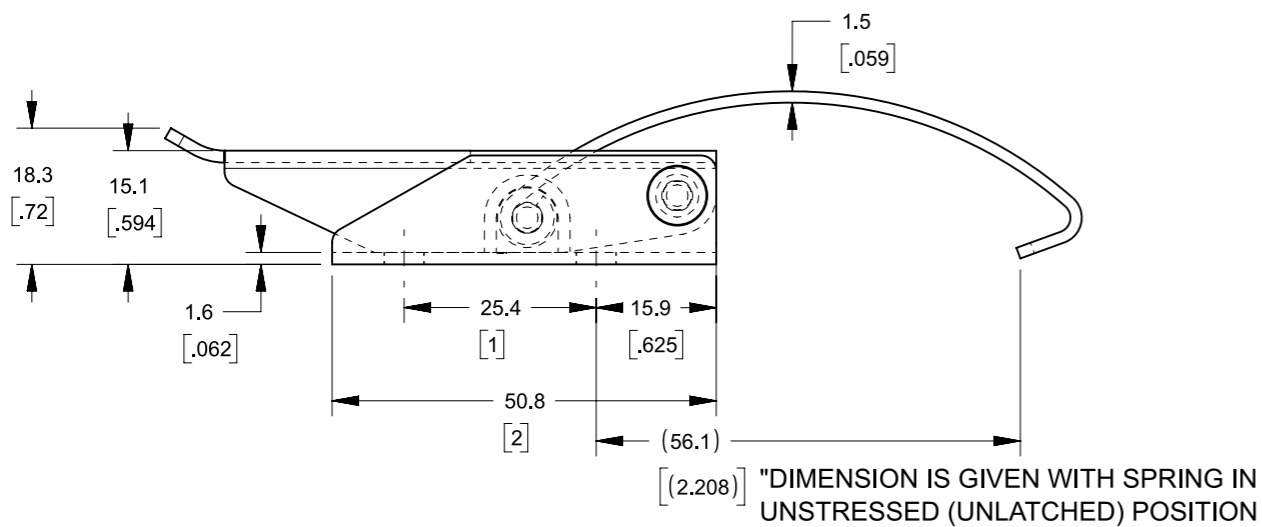
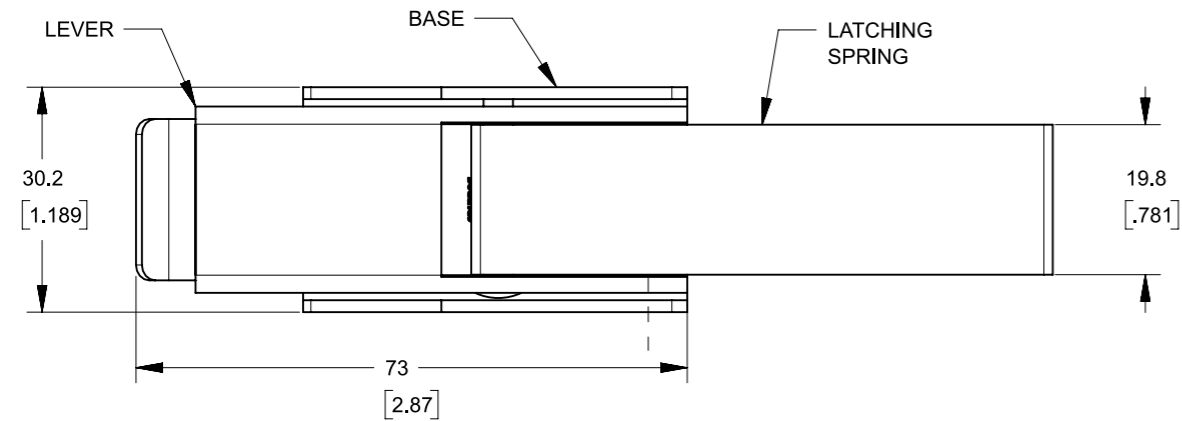


| LATCH BODY STYLE | ASSEMBLY PART NUMBERS- ACCORDING TO KEEPER STYLE | | | |
|------------------------|--|---------------------------|-----------------------------|------------------------|
| | WITH KEEPER STYLE "C" | | WITH KEEPER STYLE "E" | LATCH ONLY (NO KEEPER) |
| | WITH 2 MOUNTING HOLES | BUTTON TYPE (SINGLE HOLE) | ONE MOUNTING HOLE & ONE LUG | |
| STANDARD | 97-60-121-15 | 97-60-123-15 | 97-60-124-15 | 97-60-120-15 |
| WITH SECURITY FEATURES | 97-60-321-15 | 97-60-323-15 | 97-60-324-15 | 97-60-320-15 |



LATCH BODY WITH SECURITY FEATURES
DIMENSIONALLY IDENTICAL WITH STANDARD LATCH BODY (LEFT) EXCEPT AS SHOWN

MATERIAL AND FINISH
LEVER AND BASE: STEEL BLACK POWDER COATING
LATCHING SPRING: SPRING STEEL, BLACK POWDER COATING
PINS: STAINLESS STEEL, BLACK POWDER COATING

NOTES:

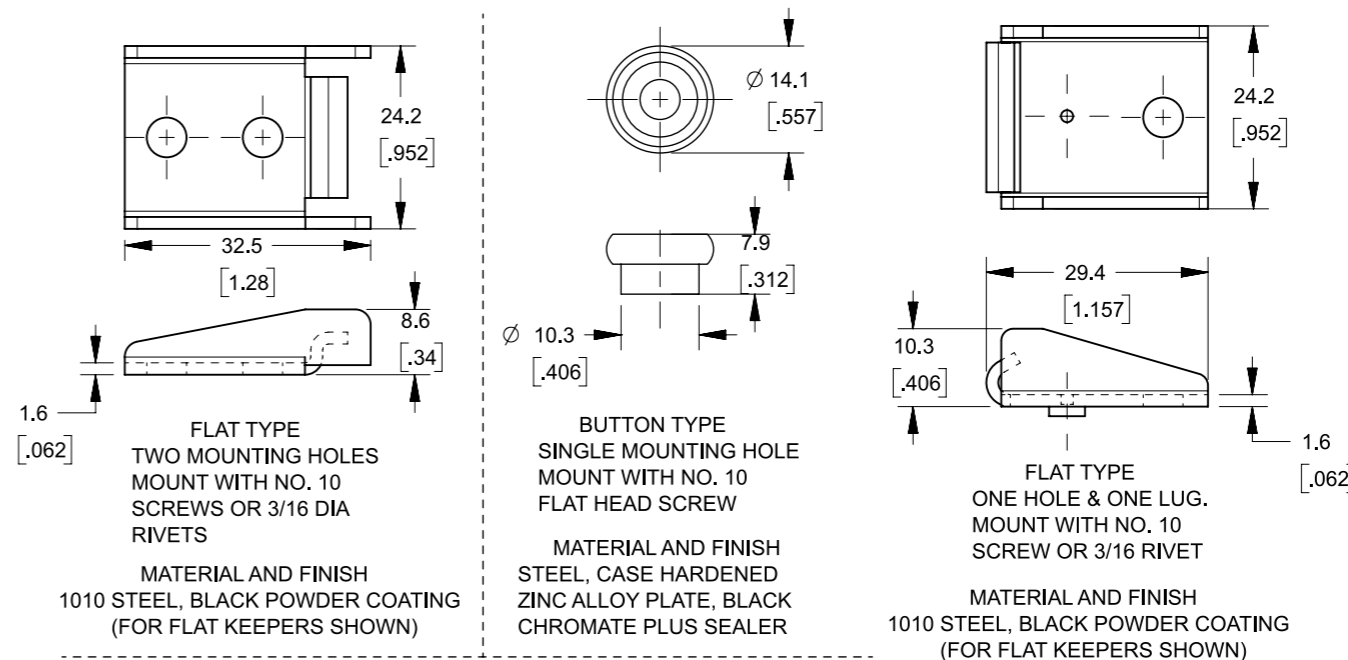
1. REFER TO 3D MODEL FOR ANY DIMENSIONAL INFORMATION NOT LISTED.

KEEPERS

KEEPERS ARE AVAILABLE WITH CHOICE OF MOUNTING VARIATIONS

KEEPERS STYLE "C" - KEEPER IS CONCEALED (COVERED BY SPRING) WHEN LATCHED.

KEEPER STYLE "E" - KEEPER IS EXPOSED (BEYOND END OF SPRING) WHEN LATCHED



FLAT TYPE
TWO MOUNTING HOLES
MOUNT WITH NO. 10 SCREWS OR 3/16 DIA RIVETS

MATERIAL AND FINISH
1010 STEEL, BLACK POWDER COATING (FOR FLAT KEEPERS SHOWN)

BUTTON TYPE
SINGLE MOUNTING HOLE
MOUNT WITH NO. 10 FLAT HEAD SCREW

MATERIAL AND FINISH
STEEL, CASE HARDENED
ZINC ALLOY PLATE, BLACK CHROMATE PLUS SEALER

FLAT TYPE
ONE HOLE & ONE LUG.
MOUNT WITH NO. 10 SCREW OR 3/16 RIVET

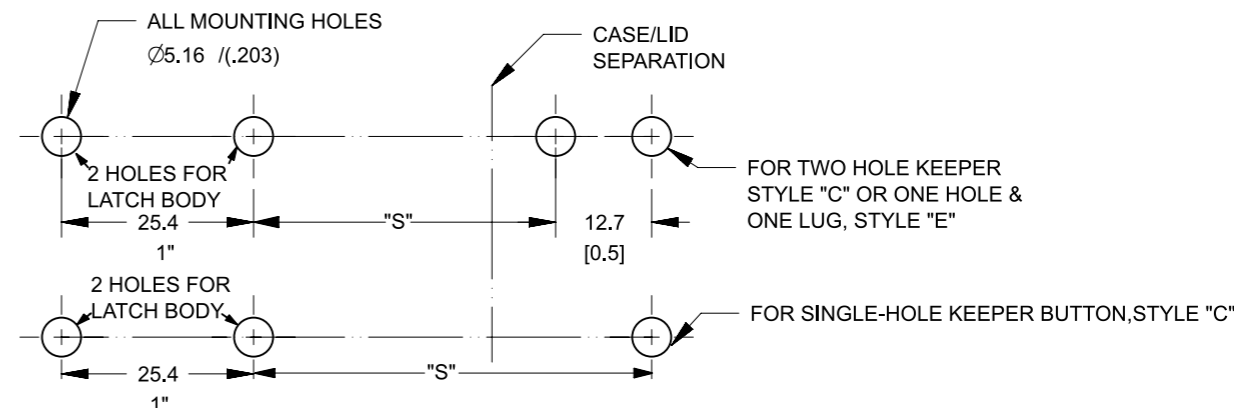
MATERIAL AND FINISH
1010 STEEL, BLACK POWDER COATING (FOR FLAT KEEPERS SHOWN)

PANEL PREPARATION AND INSTALLATION

THE TABLE BELOW SHOWS "S" DIMENSION FOR EACH KEEPER STYLE

THE LOCATION OF LATCH ASSEMBLY IN RELATION TO THE SEPARATION LINE BETWEEN YOUR CASE AND LID SHOULD BE SELECTED TO SUIT YOUR REQUIREMENTS

| DIMENSION "S" ACCORDING TO KEEPER STYLE | | |
|---|----------------------------------|------------------------------|
| KEEPER STYLE "C" | | KEEPER STYLE "E" |
| FLAT TYPE TWO MOUNTING HOLES | BUTTON TYPE SINGLE MOUNTING HOLE | FLAT TYPE ONE HOLE & ONE LUG |
| 39.7(1.56) | 57.2(2.25) | 69.9(2.75) |



| | | | | | |
|--|----------|------------------------|---|-------------------|-----------------------|
| CPB NUMBER | STANDARD | THIRD ANGLE PROJECTION | southco CONNECT • CREATE • INNOVATE | | |
| SURFACE AREA | | | | | |
| VOLUME | | | DESCRIPTION 97 DRAW LATCH - 60 SERIES | | |
| PROPRIETARY ITEM | | | SIZE A3 | SYSTEM NX | DWG NO. J-97-60-15 |
| EXCEPT FOR USES EXPRESSLY GRANTED IN WRITING, INFORMATION DISCLOSED HEREON IS CONFIDENTIAL AND ALL RIGHTS, PATENT AND OTHERWISE, ARE RESERVED BY SOUTHCO, INC. | | PER ASME Y14.5M-1994 | DRAWN BY EGB | DATE 11DEC1984 | SCALE 1:1 |
| | | | | | SHEET 1 OF 1 |