



PROPRIETARY ITEM - EXCEPT FOR USES EXPRESSLY GRANTED IN WRITING INFORMATION DISCLOSED HEREON IS CONFIDENTIAL AND ALL RIGHTS PATENT AND OTHERWISE ARE RESERVED BY SOUTHCO, INC.

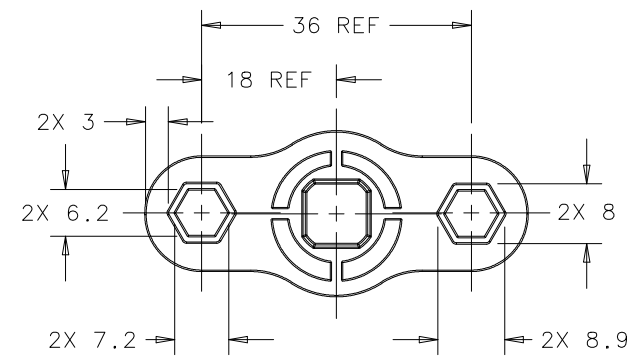
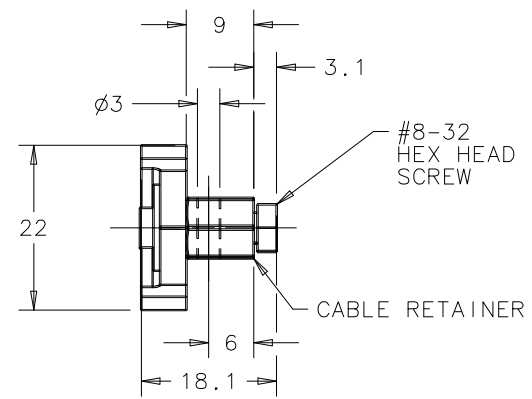
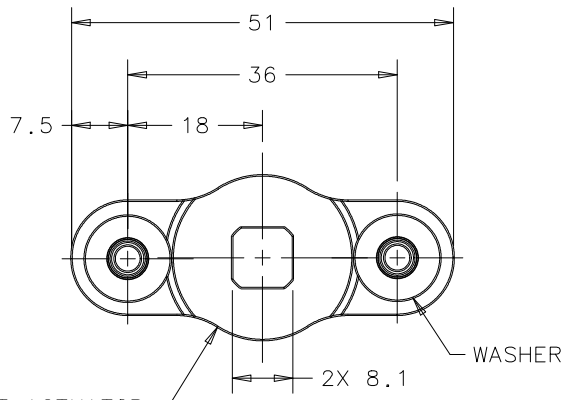
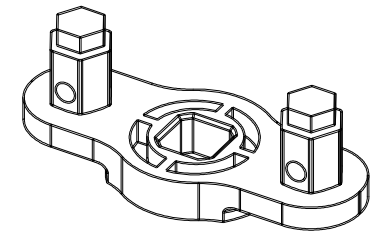
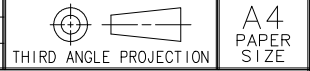
# A5 2 POINT ACTUATOR ASSEMBLY

DATE	DRAWN	CHKD	SCALE	DRAWING NUMBER
06OCT2010	ACH	XXX	1:1	J-A5-99-136

REV	DATE	DRAWN/CHKD	DESCRIPTION	PART NUMBER	ITEM	MATERIAL	FINISH
A	06OCT2010	ACH	INITIAL RELEASE	A5-99-136	ASSEMBLY	-	-
				-	A5 2 POINT ACTUATOR	ZAMAK	NATURAL
				-	CABLE RETAINER	STEEL	ZINC PLATE CHROMATE
				-	WASHER	STEEL	ZINC PLATE CHROMATE
				-	HEX HEAD SCREW	STEEL	ZINC PLATE CHROMATE

**MILLIMETERS**

TOLERANCES UNLESS OTHERWISE NOTED  
ALL DIMENSIONS WITHOUT TOLERANCES ARE FOR REFERENCE ONLY.



A5 2 POINT ACTUATOR