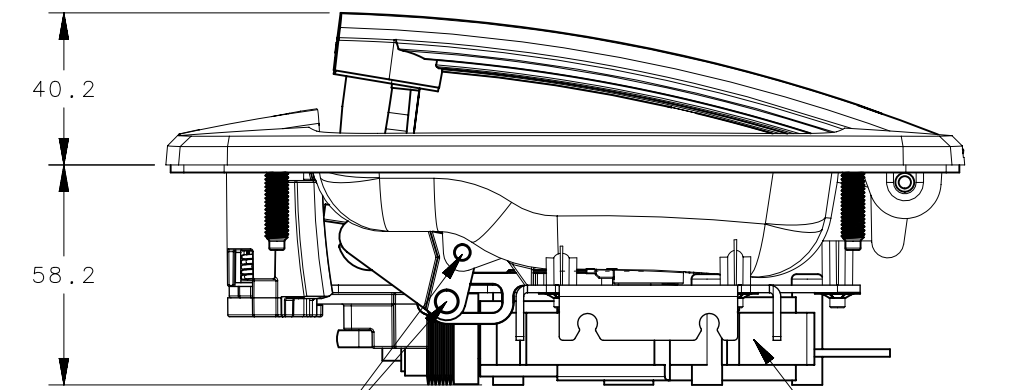
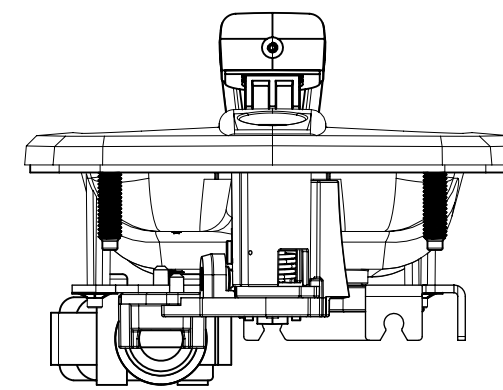
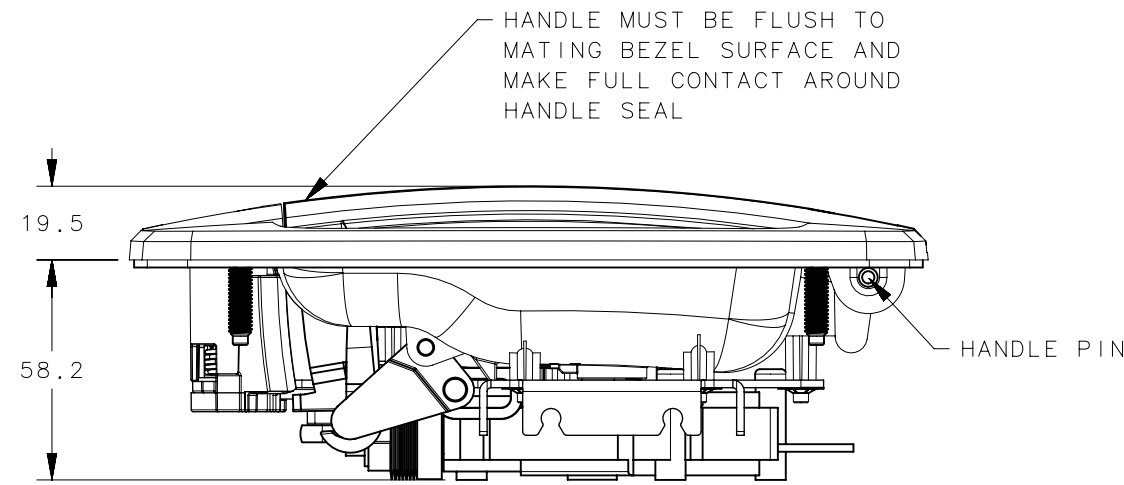
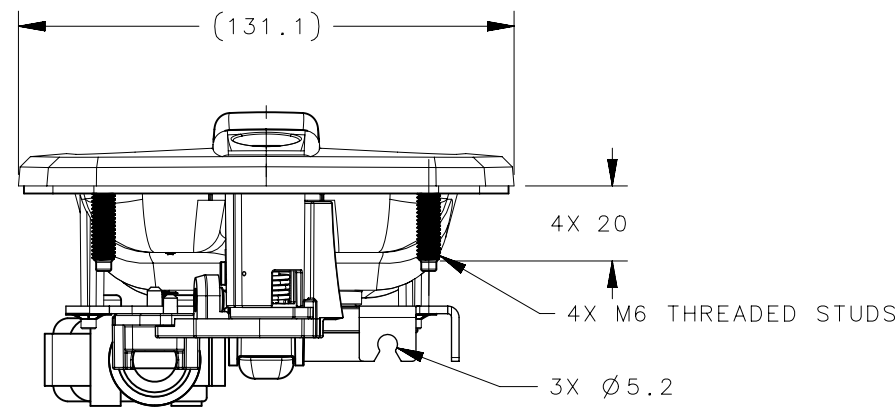
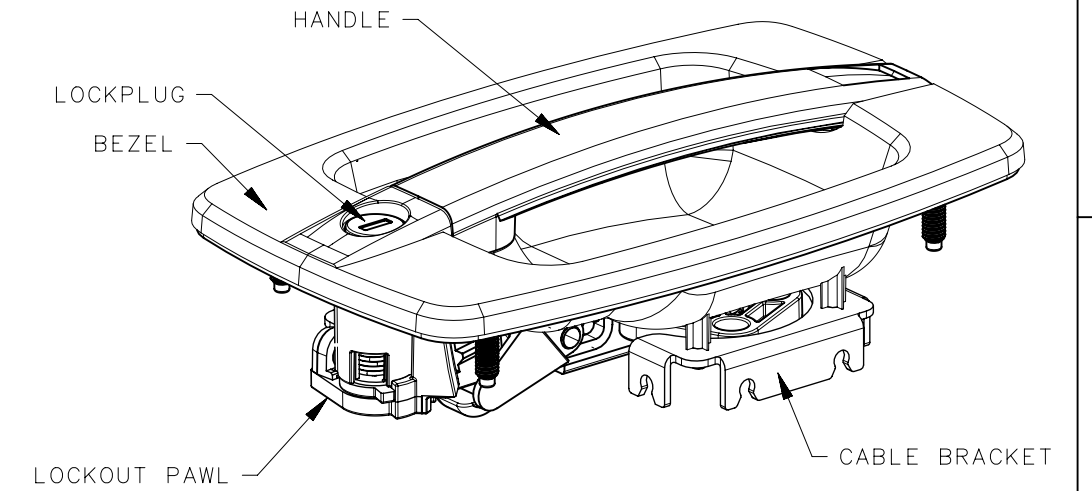
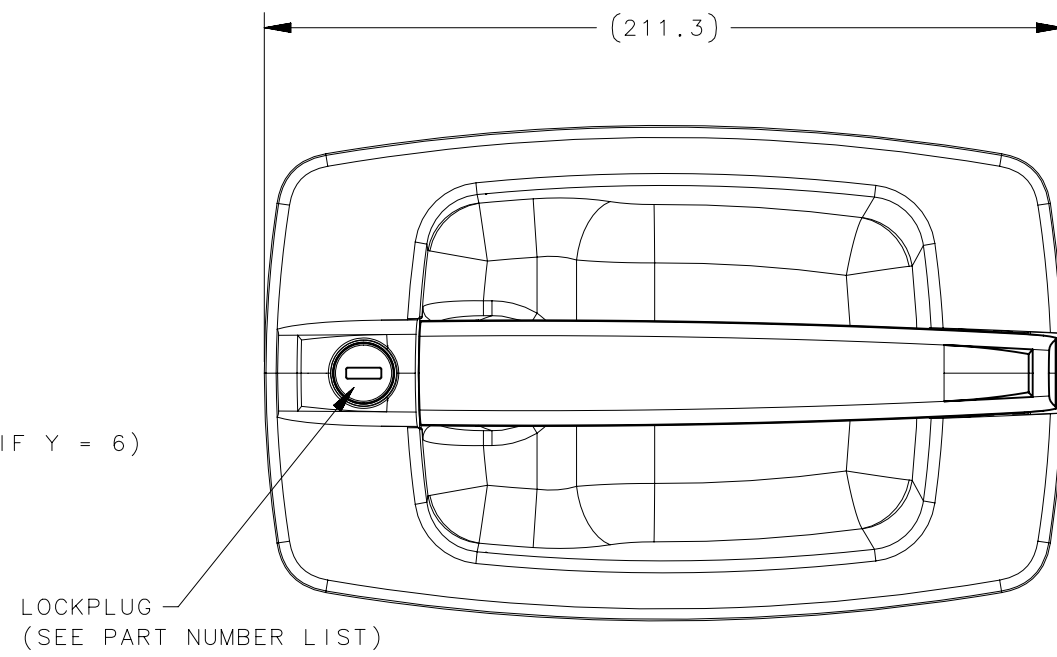


REVISION HISTORY			
REV	DATE	BY	DESCRIPTION
E	14MAY2019	RMD/JGG	PRN: P2019-1235

PART NUMBER: AC-10-EM-3Y1-11-KC

- Y = LOCKING OPTION:
 1 = REVERSIBLE KEY (R001), NO KEYS INCLUDED
 2 = REVERSIBLE KEY (R001), 2 KEYS INCLUDED
 3 = REVERSIBLE KEY (MULTIPLE KEYCODES), 2 KEYS INCLUDED
 4 = STANDARD KEY (CH751), NO KEYS INCLUDED
 5 = STANDARD KEY (CH751), 2 KEYS INCLUDED
 6 = STANDARD KEY (MULTIPLE KEYCODES), 2 KEYS INCLUDED
 9 = NO LOCKPLUG INSTALLED

- KC = KEY CODE OPTION
 KD = KEYED DIFFERENTLY, 10 CODES (ONLY USED IF Y = 3 OR 6)
 MK = MASTER KEYED, KEYED DIFFERENTLY, 10 CODES (ONLY USED IF Y = 6)

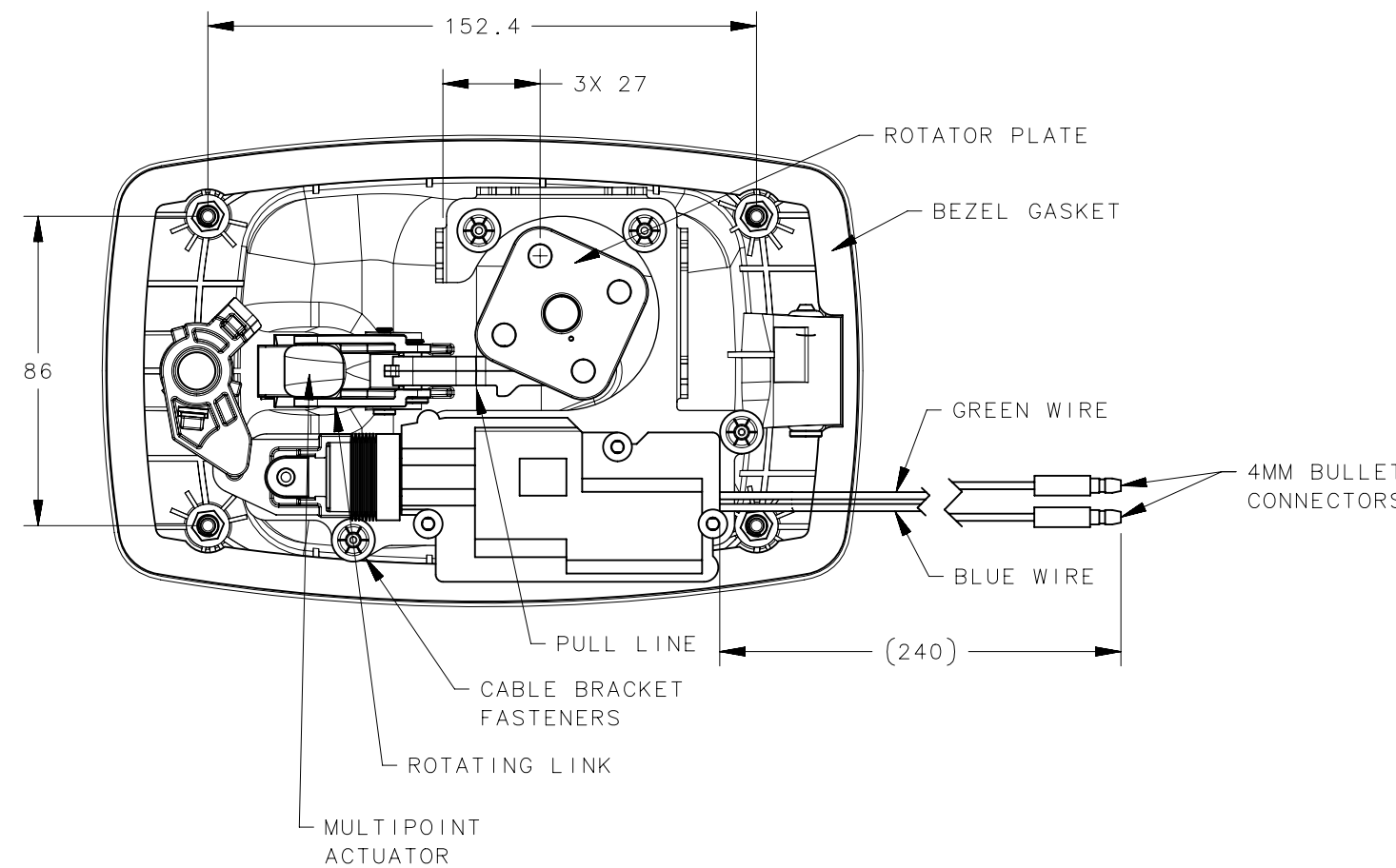


NOTES:

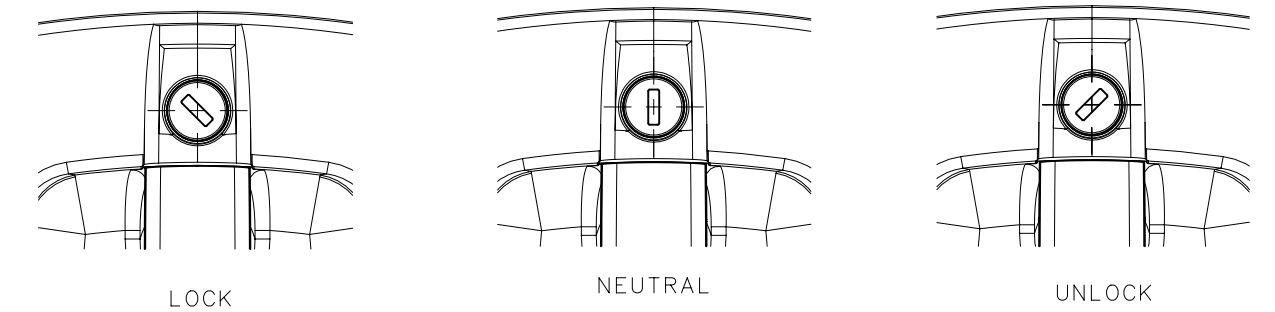
- A. ASSEMBLIES SHIPPED TRAY PACKAGED, LAYERED.
- B. MATERIAL AND FINISH:
 - BEZEL: GFN, BLACK
 - HANDLE: GFN, BLACK
 - MULTIPOINT ACTUATOR: GFN, BLACK
 - ROTATING LINK: GFN, BLACK
 - PULL LINK: GFN, BLACK
 - ROTATOR PLATE: ACETAL, BLACK
 - LOCKOUT PAWL: GFN, BLACK
 - THREADED STUDS: STEEL, ZINC NICKEL PLATE
 - HANDLE PIN: 316 SS, NATURAL
 - ATTACHMENT PIN: 420 SS, NATURAL
 - ROTATOR PIN: 316 SS, NATURAL
 - LOCKOUT PAWL PIN: 316 SS, NATURAL
 - ALL RIVETS: ALUMINUM, NATURAL
 - HANDLE SPRING: 302 SS, PASSIVATED
 - ROTATOR SPRING: 302 SS, NATURAL
 - LOCKPLUG SPRING: MUSIC WIRE, NICKEL PLATE
 - LOCKPLUG SEAL: TPE, BLACK
 - LOCKPLUG ADAPTER: ZINC DIE CAST
 - ALL GASKETS: CLOSED CELL FOAM, BLACK
 - CABLE BRACKET: STEEL, ZINC NICKEL PLATE
 - RETAINERS: STEEL, ZINC PLATE
 - ACTUATOR: PURCHASED, VARIOUS
 - CONNECTOR: ACETAL, BLACK
 - LOCKOUT ADJUSTER: GFN, BLACK
 - SHIM: ACETAL, BLACK
 - SCREWS: STEEL, ZINC PLATE
 - BALL PLUNGER: 316 SS, PASSIVATED
- C. FOR USE WITH RODS/CABLES, RODS NOT SUPPLIED BY SOUTHCO. CABLES AND RETAINER CLIPS SOLD SEPARATELY. RECOMMENDED SNAP IN RETAINER FOR ROTATOR PLATE: SOUTHCO PART NUMBER R4-0-43922. SEE DRAWING J-R4-0-43922 FOR MORE DETAILS AND OPTIONS.
- D. RECOMMENDED CABLE STYLE: SOUTHCO TYPE 7 CABLE, JACKETED CABLE WITH SNUB END COUPLING AND END COUPLING RETAINERS, PLUS L FITTING ON ACTUATOR SIDE. SEE DRAWING J-AC-C FOR MORE DETAILS. CONTACT SOUTHCO FOR CABLE DESIGN SUPPORT.
- E. INSTALLATION TORQUE OF M6 MOUNTING NUTS NOT TO EXCEED 7N-m [62in-lbs].
- F. RECOMMENDED OPERATING TEMPERATURES: -30° C TO 50° C
- G. ELECTRIC ACTUATOR OPERATING INFORMATION:
 VOLTAGE: 12 V +/- 1.2 V
 CURRENT: 2.5 A - 3 A
 PULSE DURATION: 225ms +/- 25ms

FULLY CLOSED

FULLY OPEN



LOCKPLUG ORIENTATIONS



ELECTRICAL ACTUATOR FUNCTION TABLE		
	GREEN WIRE	BLUE WIRE
LOCK	GROUND	12V
UNLOCK	12V	GROUND

	THIRD ANGLE PROJECTION	 CONNECT · CREATE · INNOVATE
	MILLIMETERS [IN]	
SURFACE AREA	TOLERANCES UNLESS OTHERWISE NOTED	DESCRIPTION
VOLUME	ALL DIMENSIONS WITHOUT TOLERANCES ARE FOR REFERENCE ONLY.	ELECTRONIC ACCESS SOLUTION
PROPRIETARY ITEM	PER ASME Y14.5M-1994	SIZE SYSTEM DWG NO.
EXCEPT FOR USES EXPRESSLY GRANTED IN WRITING, INFORMATION DISCLOSED HEREON IS CONFIDENTIAL AND ALL RIGHTS, PATENT AND OTHERWISE, ARE RESERVED BY SOUTHCO, INC.		A2 NX J-AC-10-EM-3X1-11
		DRAWN BY DATE SCALE SHEET
		RMD 13APR2016 1:2 1 OF 2

8

7

6

5



4

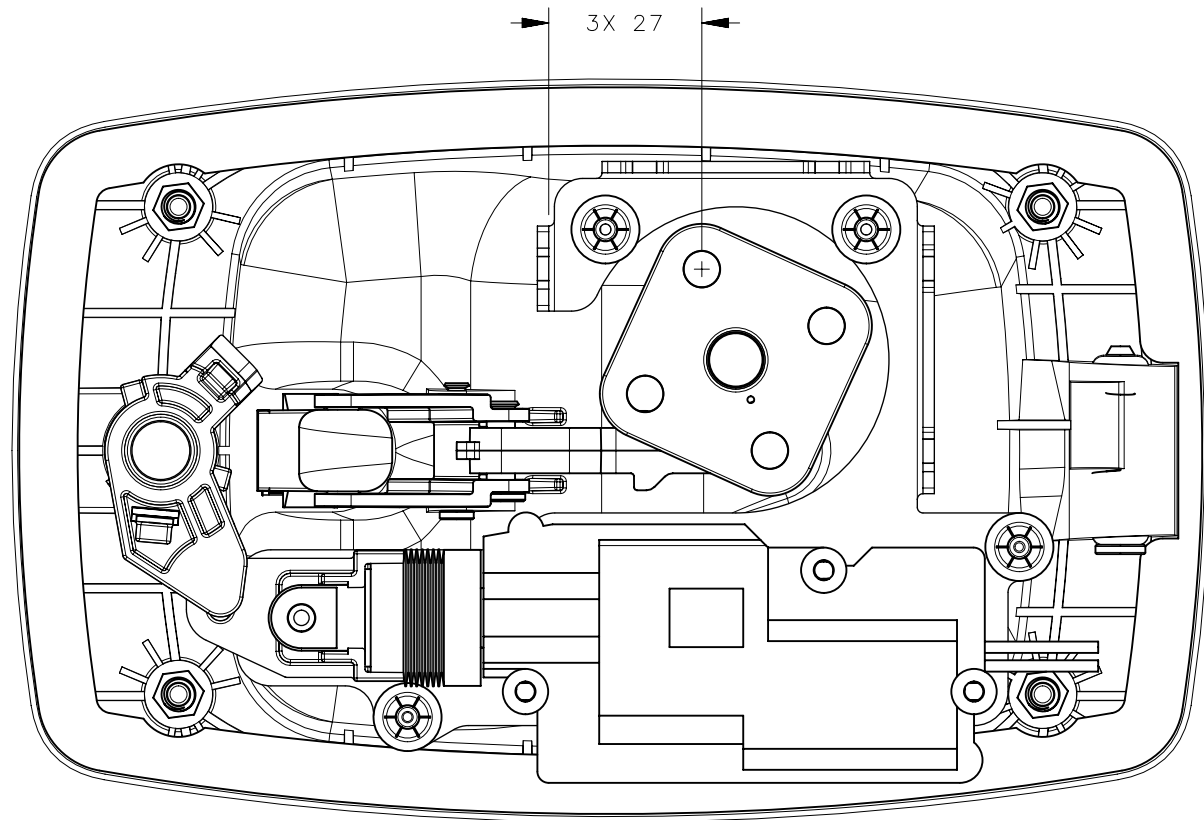
3

2

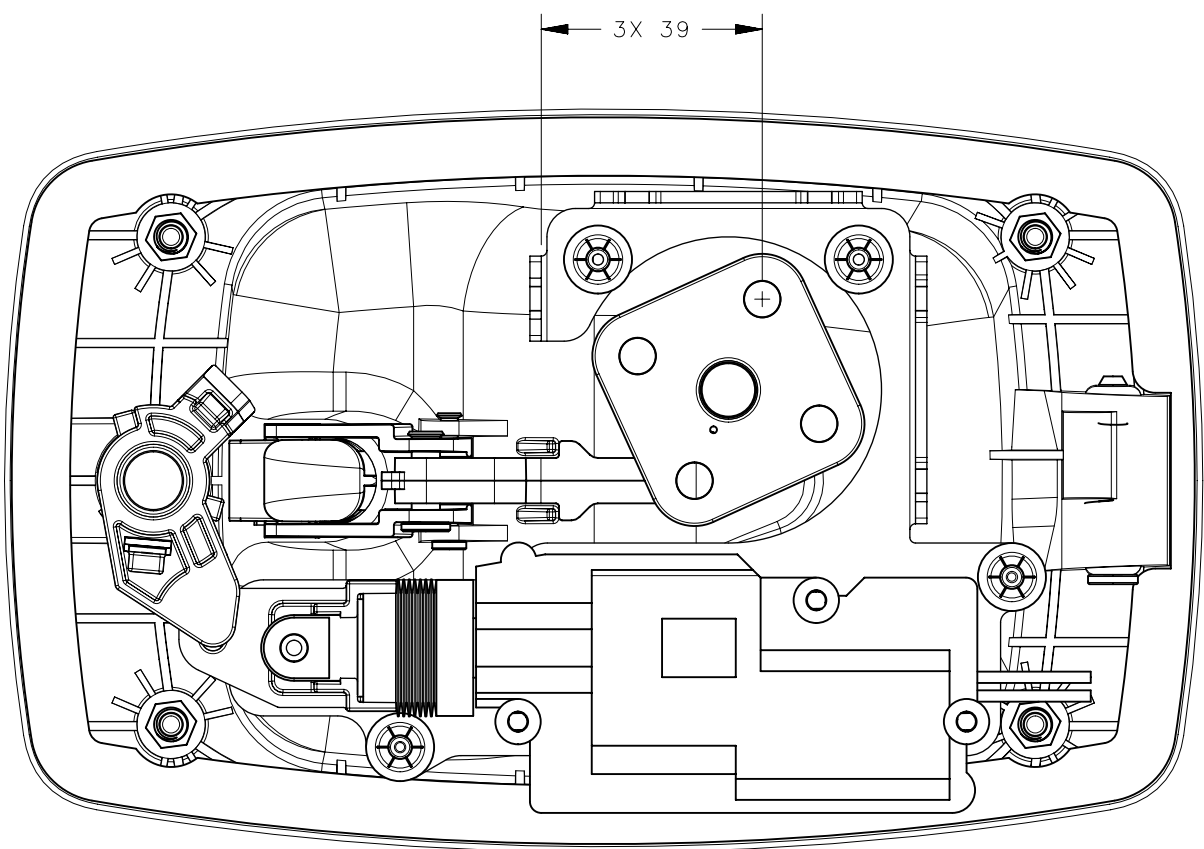
1

REVISION HISTORY			
REV	DATE	BY	DESCRIPTION
E	14MAY2019	RMD/JGG	PRN: P2019-1235

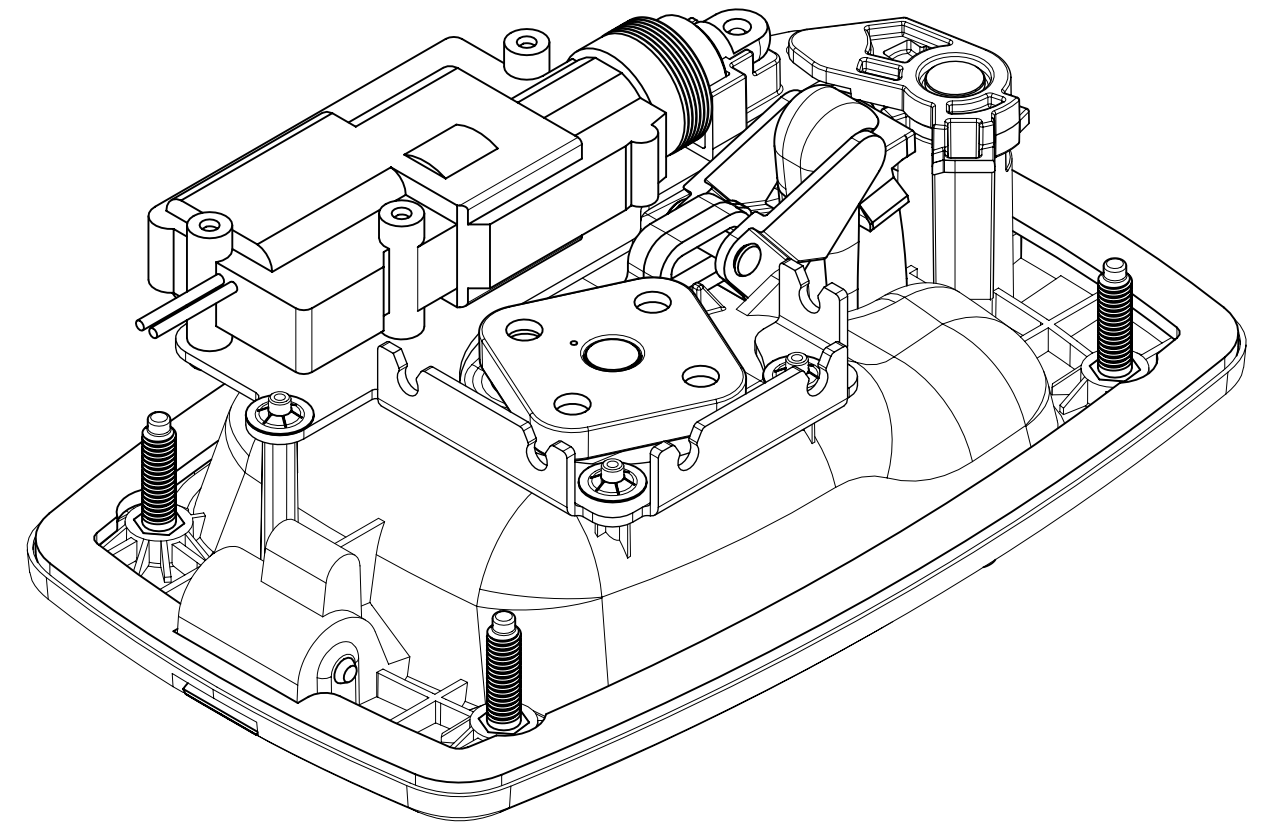
ROTATOR PLATE TRAVEL



CLOSED

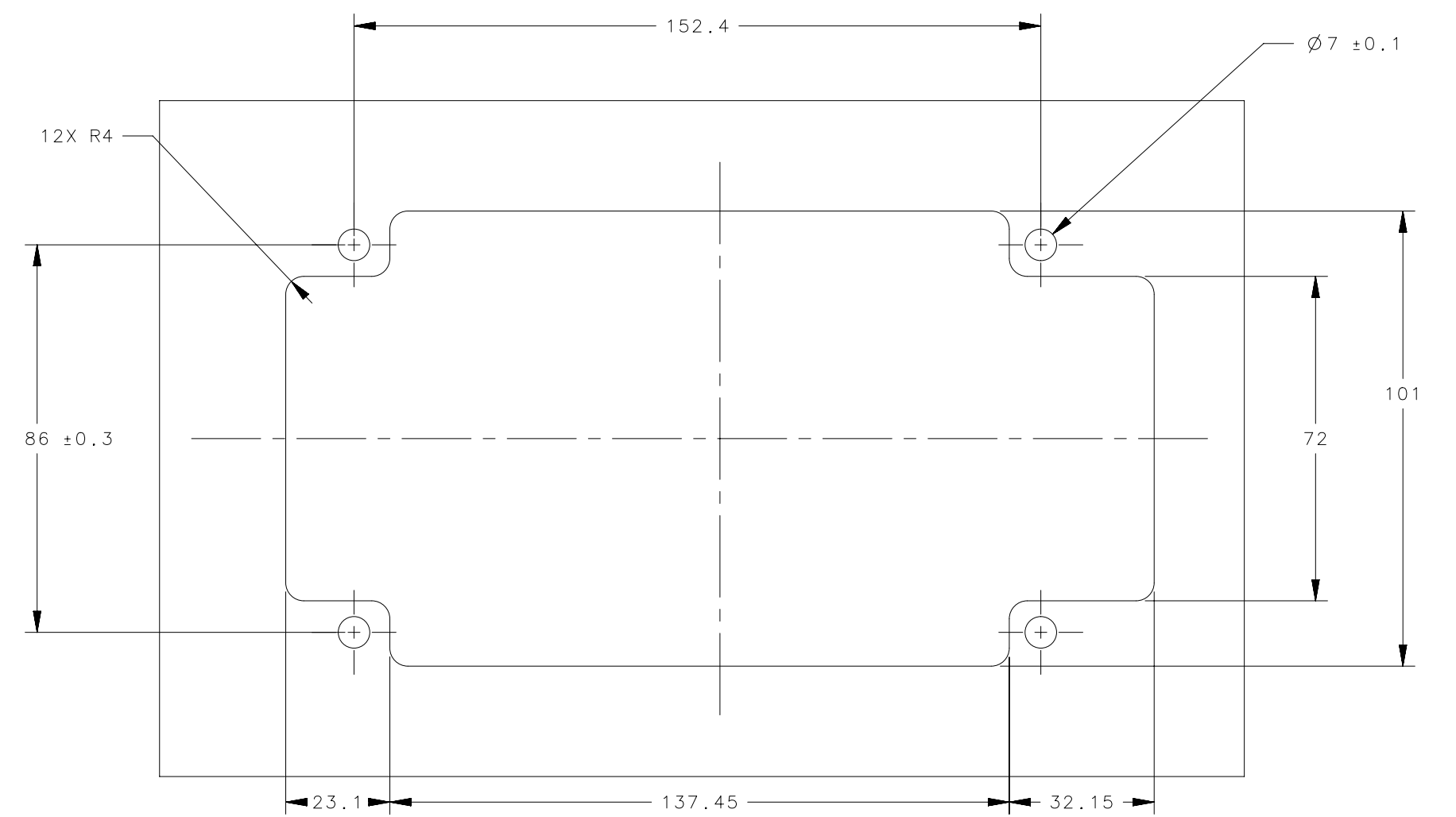


OPEN



PANEL PREPARATION

MAX RECOMMENDED THICKNESS: 7mm



	THIRD ANGLE PROJECTION	southco CONNECT · CREATE · INNOVATE
	MILLIMETERS [IN]	
SURFACE AREA	TOLERANCES UNLESS OTHERWISE NOTED	DESCRIPTION ELECTRONIC ACCESS SOLUTION
VOLUME	ALL DIMENSIONS WITHOUT TOLERANCES ARE FOR REFERENCE ONLY.	SIZE SYSTEM A2 NX
PROPRIETARY ITEM EXCEPT FOR USES EXPRESSLY GRANTED IN WRITING, INFORMATION DISCLOSED HEREON IS CONFIDENTIAL AND ALL RIGHTS, PATENT AND OTHERWISE, ARE RESERVED BY SOUTHCO, INC.	PER ASME Y14.5M-1994	DWG NO. J-AC-10-EM-3X1-11
		DRAWN BY RMD
		DATE 13APR2016
		SCALE 0.75:1
		SHEET 2 OF 2

8

7

6

5



4

3

2

1