

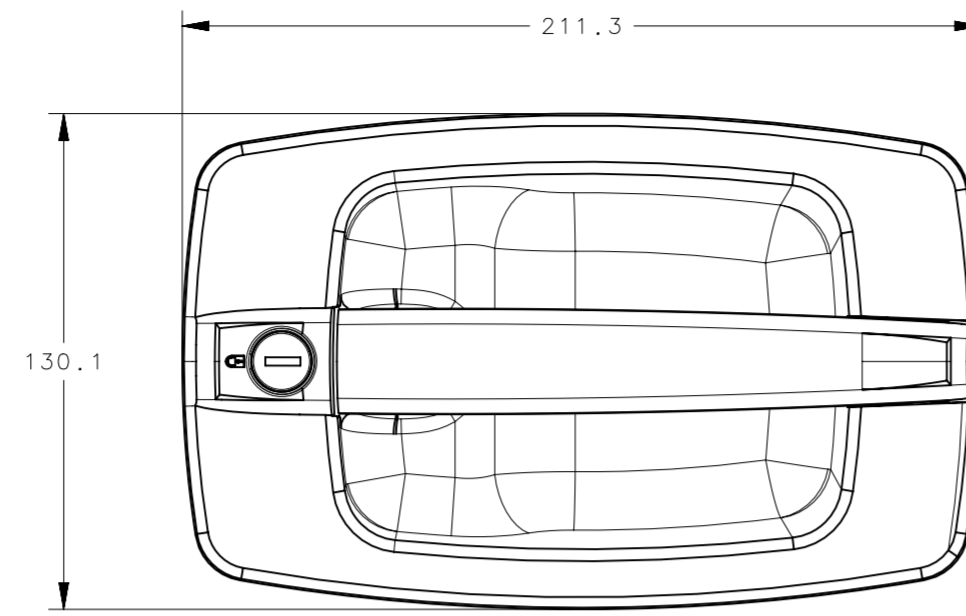
PART NUMBER: AC-10-XY1-11-WWWW

X = STYLE:
 1 - SINGLE POINT, DIRECT PULL
 2 - MULTIPOINT, WITHOUT CABLE BRACKET
 3 - MULTIPOINT, WITH CABLE BRACKET

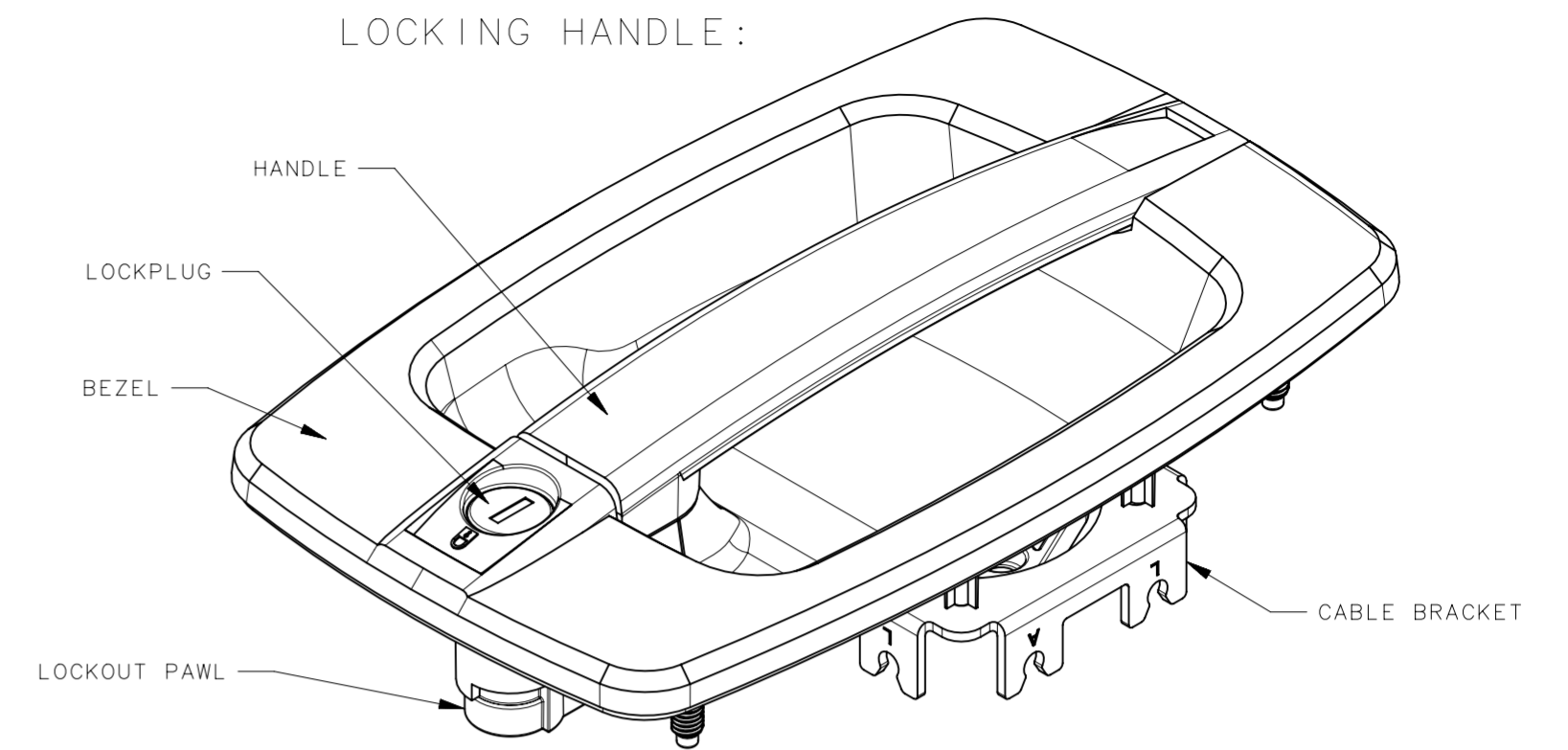
Y = LOCKING OPTION:
 0 - NON-LOCKING
 1 - REVERSIBLE KEY (R001), NO KEYS INCLUDED
 2 - REVERSIBLE KEY (R001), 2 KEYS INCLUDED
 3 - REVERSIBLE KEY (MULTIPLE KEYCODES), 2 KEYS INCLUDED
 4 - STANDARD KEY (CH751), NO KEYS INCLUDED
 5 - STANDARD KEY (CH751), 2 KEYS INCLUDED
 6 - STANDARD KEY (MULTIPLE KEYCODES), 2 KEYS INCLUDED
 7 - REVERSIBLE KEY (14603), 2 KEYS INCLUDED
 9 - NO LOCKPLUG INSTALLED

WWW = KEY CODE OPTION
 KD10 - KEYED DIFFERENTLY, 10 CODES (ONLY USED IF Y= 3 OR 6)
 MK10 - MASTER KEYED, KEYED DIFFERENTLY, 10 CODES (ONLY USED IF Y= 6)

REVISION HISTORY			
REV	DATE	BY	DESCRIPTION
G	22JUL2024	TMP/RD	P2024-1264

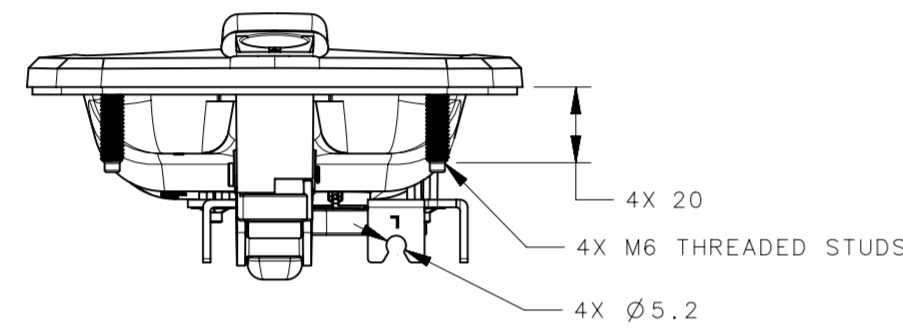


FULLY CLOSED

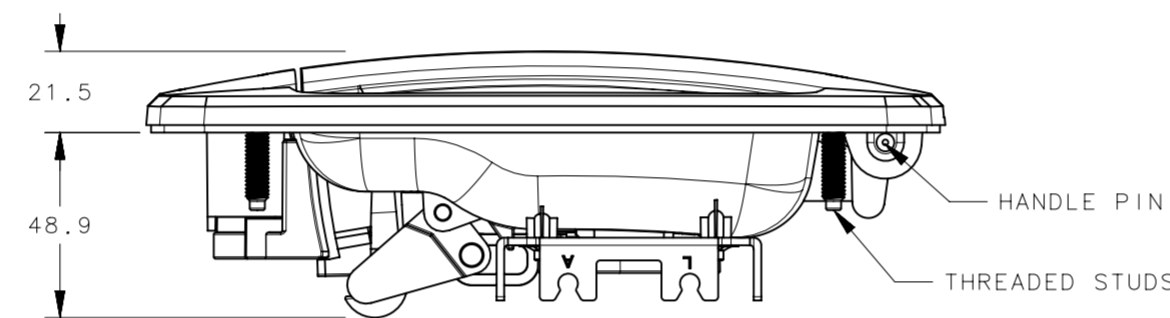


LOCKING HANDLE:

SCALE 3:4

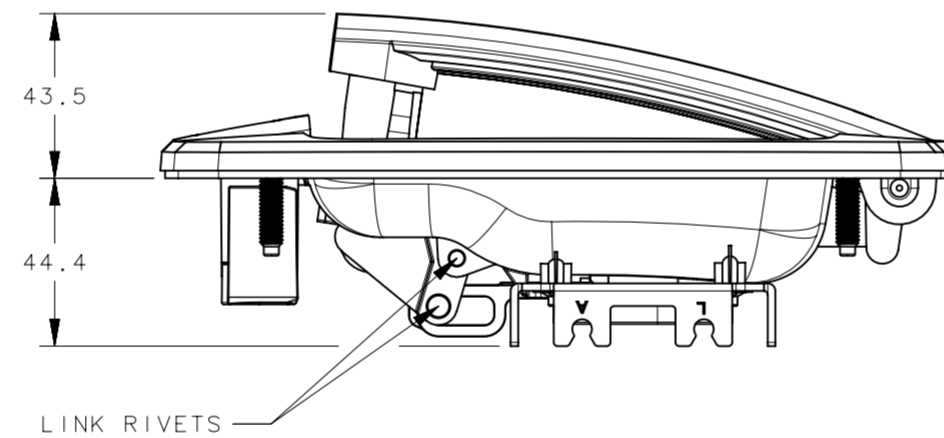
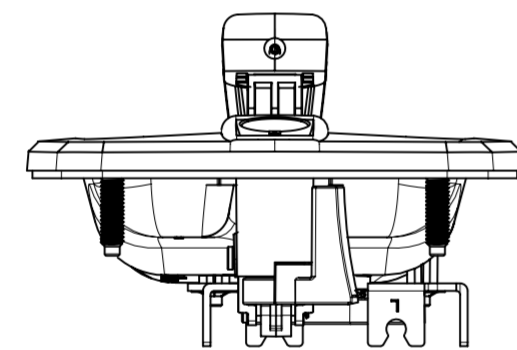
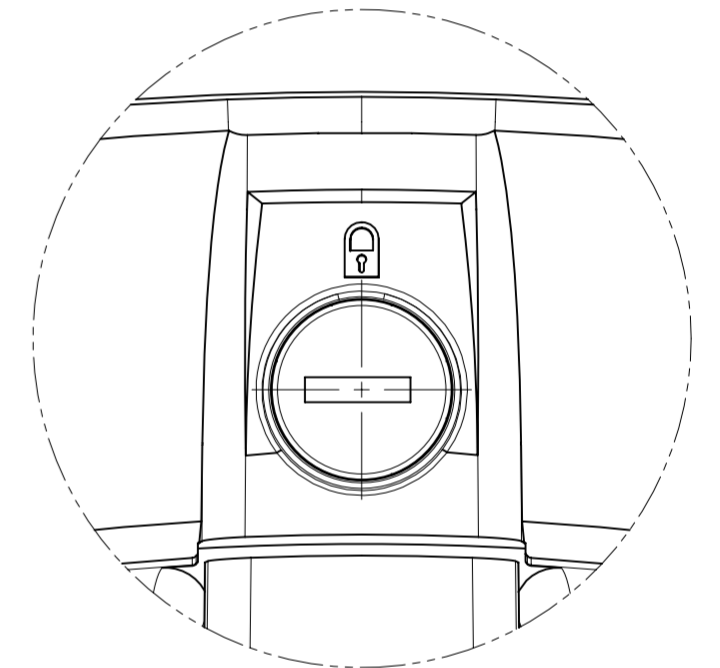
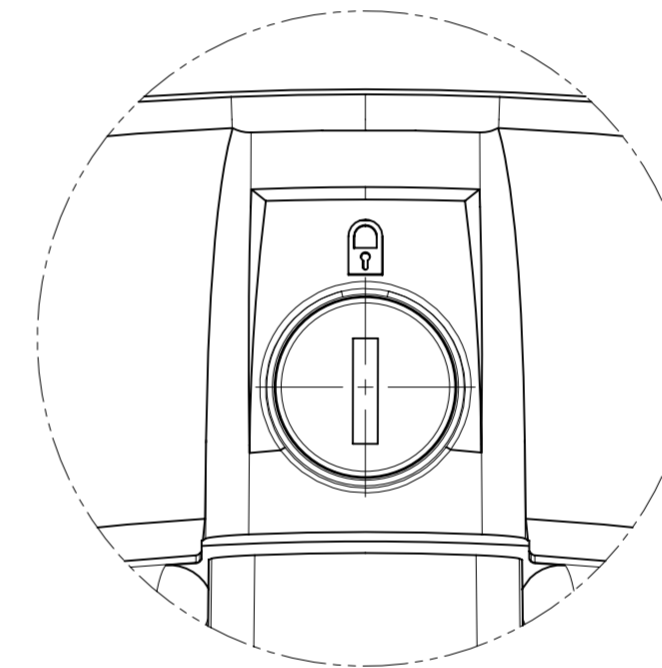


PART NUMBER AC-10-341-11 SHOWN



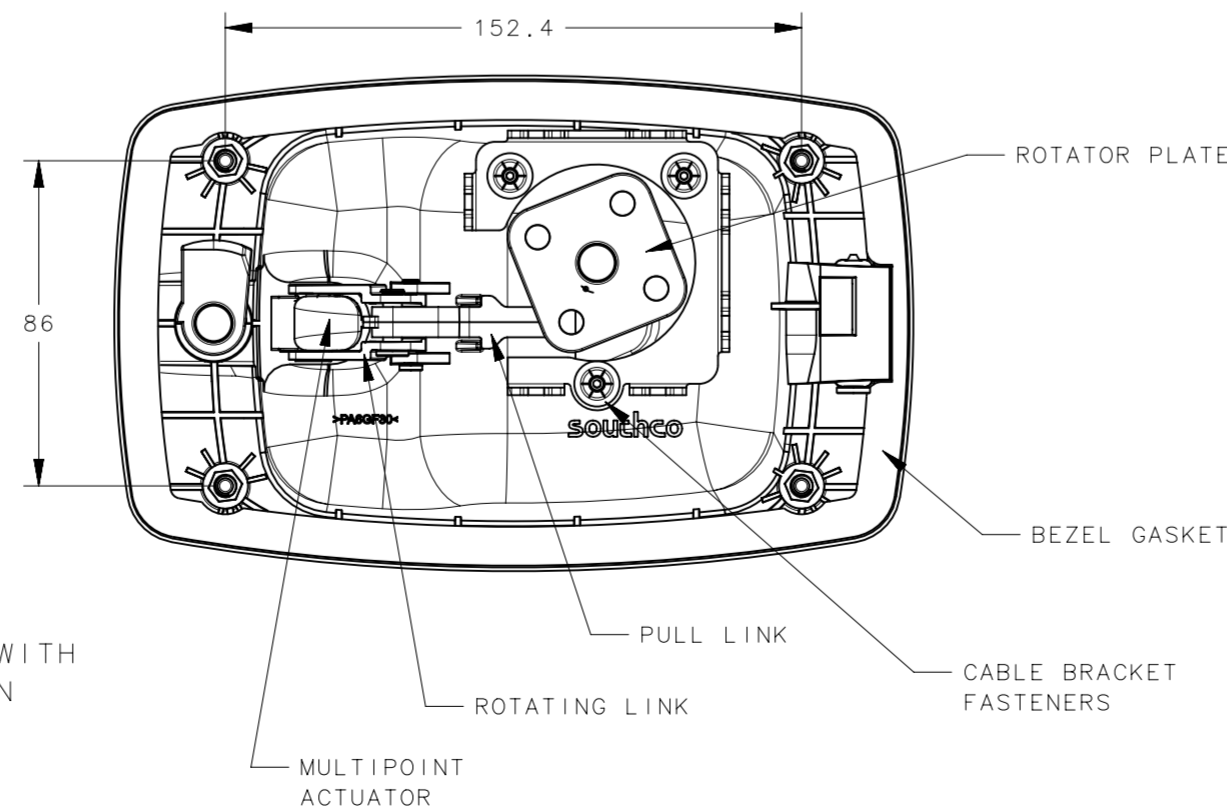
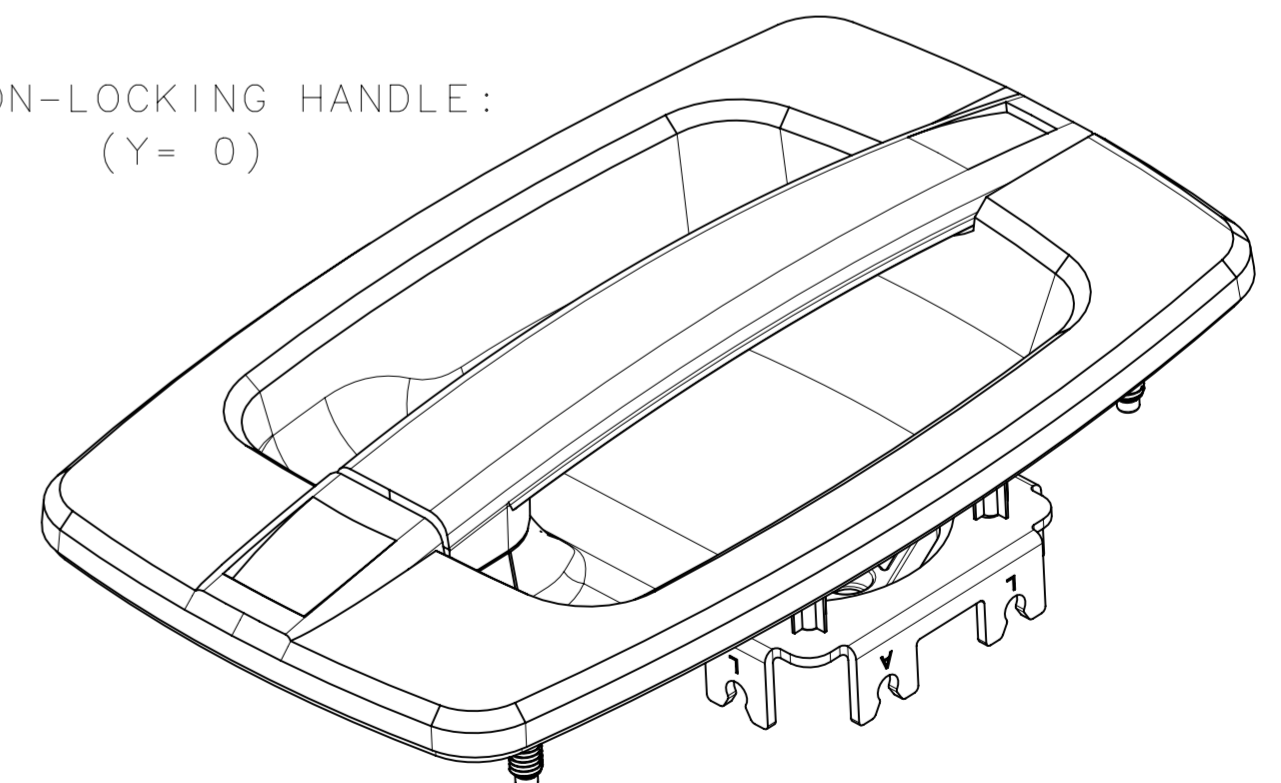
LOCKED

UNLOCKED



FULLY OPEN

NON-LOCKING HANDLE:
(Y= 0)



NOTES:

- A. ASSEMBLIES SHIPPED TRAY PACKAGED, LAYERED.
- B. MATERIAL AND FINISH:
 - BEZEL, HANDLE, MULTIPOINT ACTUATOR, ROTATING LINK, PULL LINK, ROTATOR PLATE, AND LOCKOUT PAWL: NYLON, BLACK
 - THREADED STUDS: STEEL, ZINC NICKEL PLATE
 - THREADED INSERT: BRASS, NATURAL
 - ALL PINS AND E-CLIP: STAINLESS STEEL, NATURAL
 - ALL RIVETS: ALUMINUM, NATURAL
 - ALL SPRINGS: STAINLESS STEEL, NATURAL
 - LOCKPLUG SEAL: TPE, BLACK
 - LOCKPLUG ADAPTER: ZINC DIE CAST
 - ALL GASKETS: CLOSED CELL FOAM, BLACK
 - CABLE BRACKET & FASTENERS: STEEL, ZINC PLATE
- C. FOR WWW= MK10, MASTER KEY PART NUMBER: PK-24-01
- D. FOR USE WITH RODS/CABLES, RODS NOT SUPPLIED BY SOUTHCO. CABLES AND RETAINER CLIPS SOLD SEPARATELY. RECOMMENDED SNAP IN RETAINER FOR ROTATOR PLATE: SOUTHCO PART NUMBER R4-0-43922. SEE DRAWING J-R4-0-43922 FOR MORE DETAILS AND OPTIONS.
- E. RECOMMENDED CABLE STYLE: SOUTHCO TYPE 7 CABLE, JACKETED CABLE WITH SNUB END COUPLING AND END COUPLING RETAINERS, PLUS L FITTING ON ACTUATOR SIDE. TA=4, ALSO SEE DRAWING J-AC-C FOR MORE DETAILS. CONTACT SOUTHCO FOR CABLE DESIGN SUPPORT.
- F. INSTALLATION TORQUE OF MOUNTING NUTS NOT TO EXCEED 7N-m [62in-lbs].

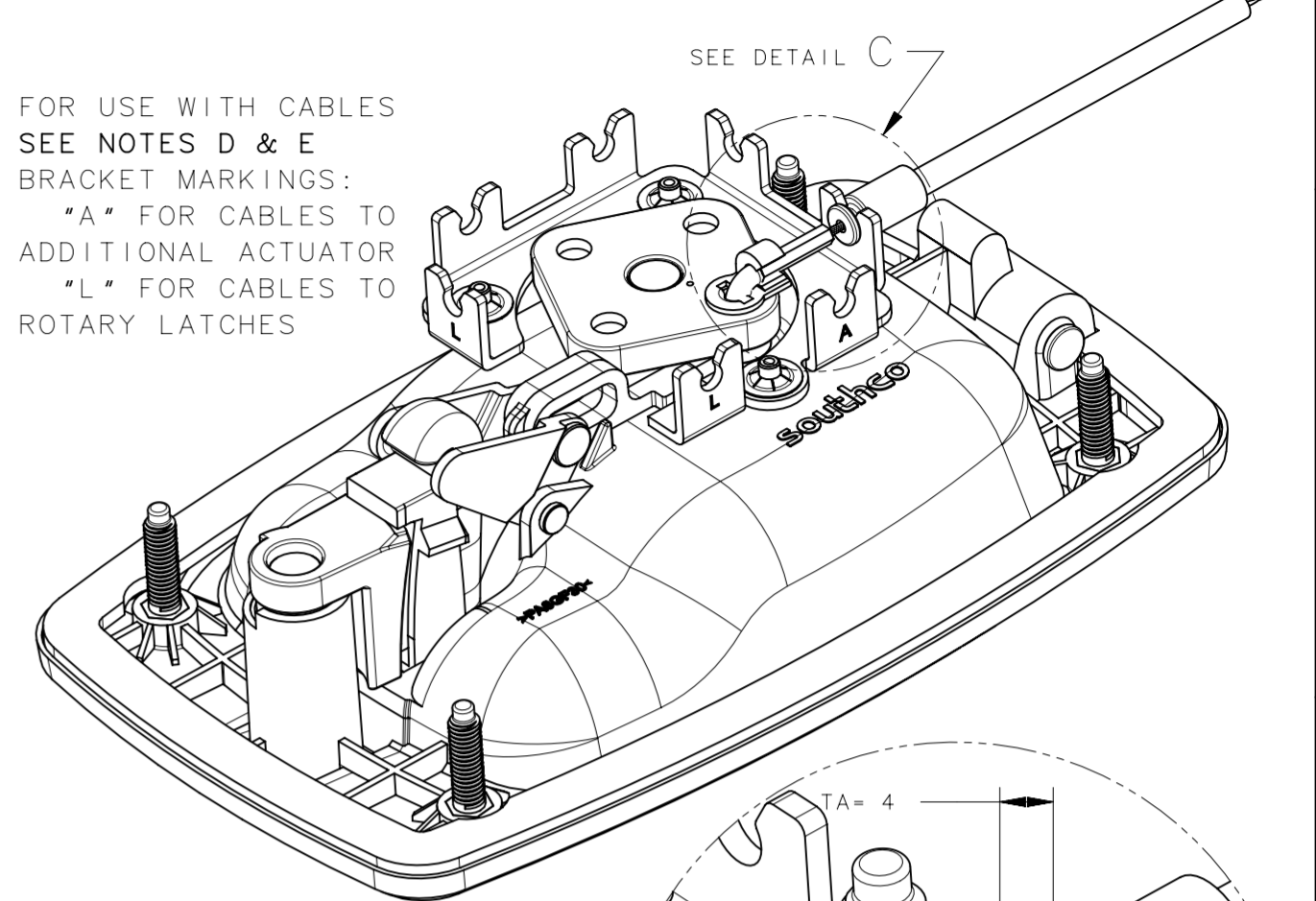
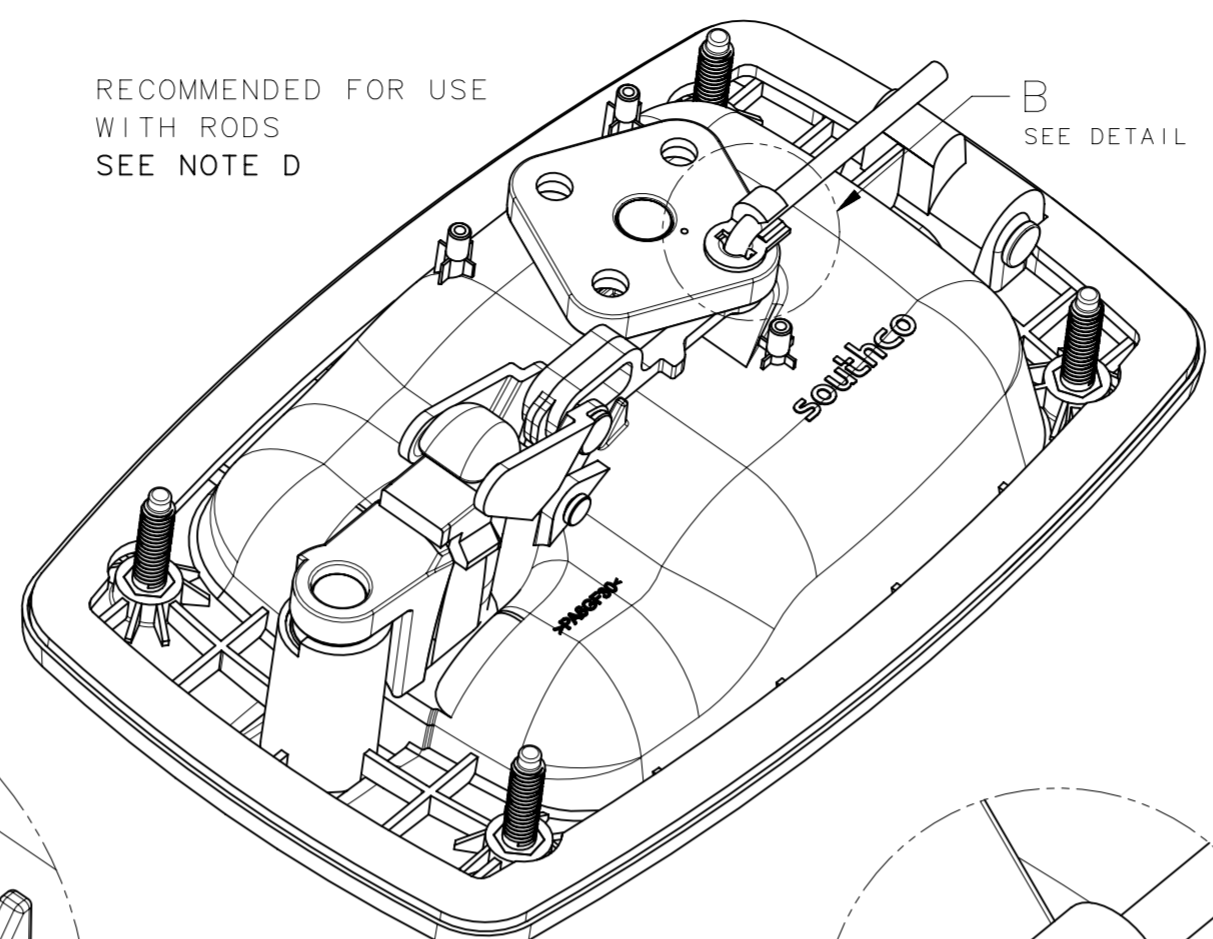
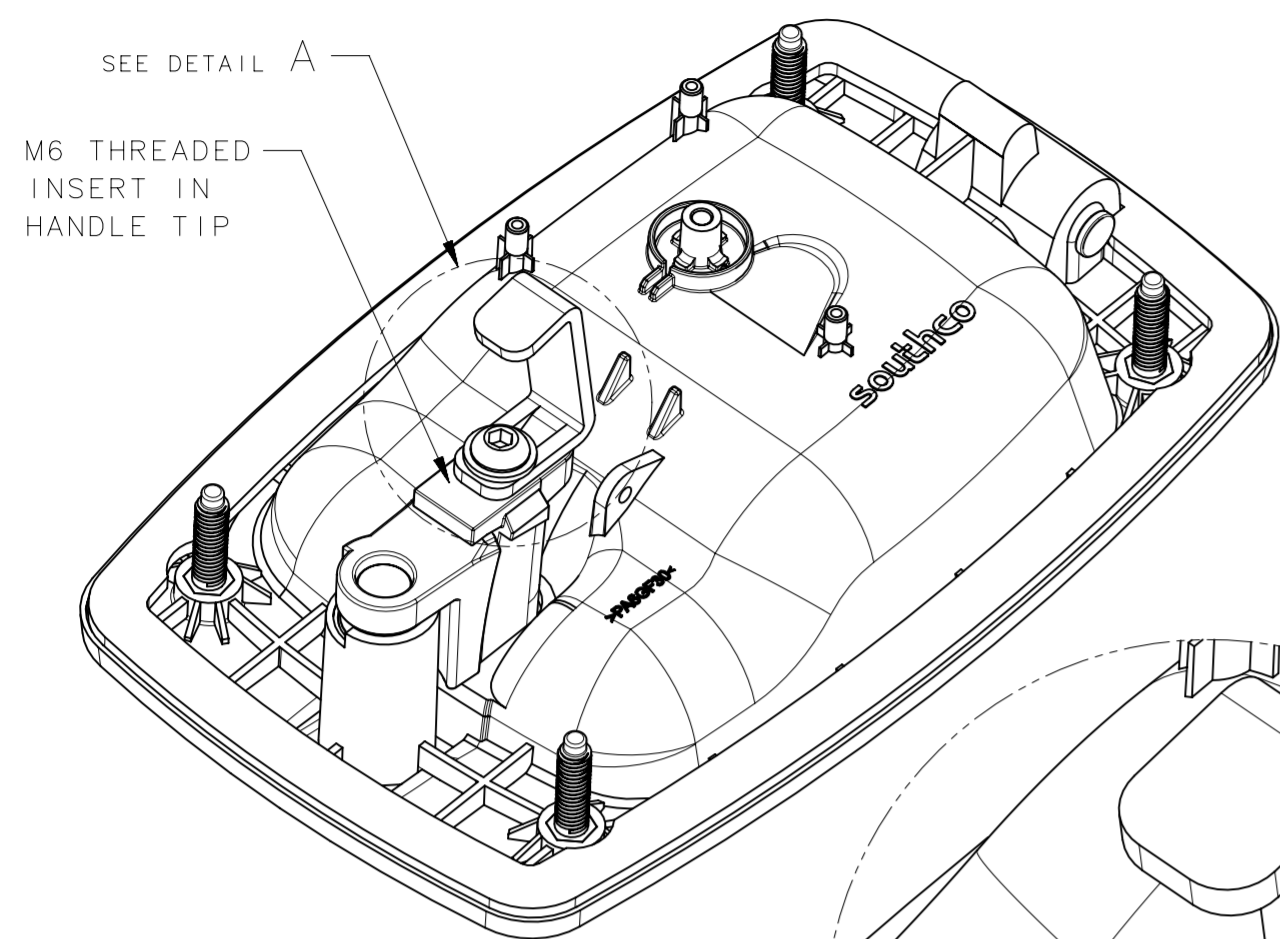
THIRD ANGLE PROJECTION		 CONNECT · CREATE · INNOVATE	
MILLIMETERS [IN]			
SURFACE AREA		TOLERANCES UNLESS OTHERWISE NOTED	
VOLUME		ALL DIMENSIONS WITHOUT TOLERANCES ARE FOR REFERENCE ONLY.	
PROPRIETARY ITEM		PER ASME Y14.5M-2009	
EXCEPT FOR USES EXPRESSLY GRANTED IN WRITING, INFORMATION DISCLOSED HEREON IS CONFIDENTIAL AND ALL RIGHTS, PATENT AND OTHERWISE, ARE RESERVED BY SOUTHCO, INC.		DESCRIPTION CUPPED HANDLE ACTUATOR FLUSH MOUNT	SIZE SYSTEM A2 NX
		DWG NO. J-AC-10	DRAWN BY ACH/MSM
		DATE 25JUN2013	SCALE DNS
		SHEET 1 OF 2	

REVISION HISTORY			
REV	DATE	BY	DESCRIPTION
G	22JUL2024	TMP/RD	P2024-1264

DIRECT PULL: 30mm MAX TRAVEL

MULTIPOINT, WITHOUT CABLE BRACKET:
12.5mm MAX TRAVEL (SEE BELOW)

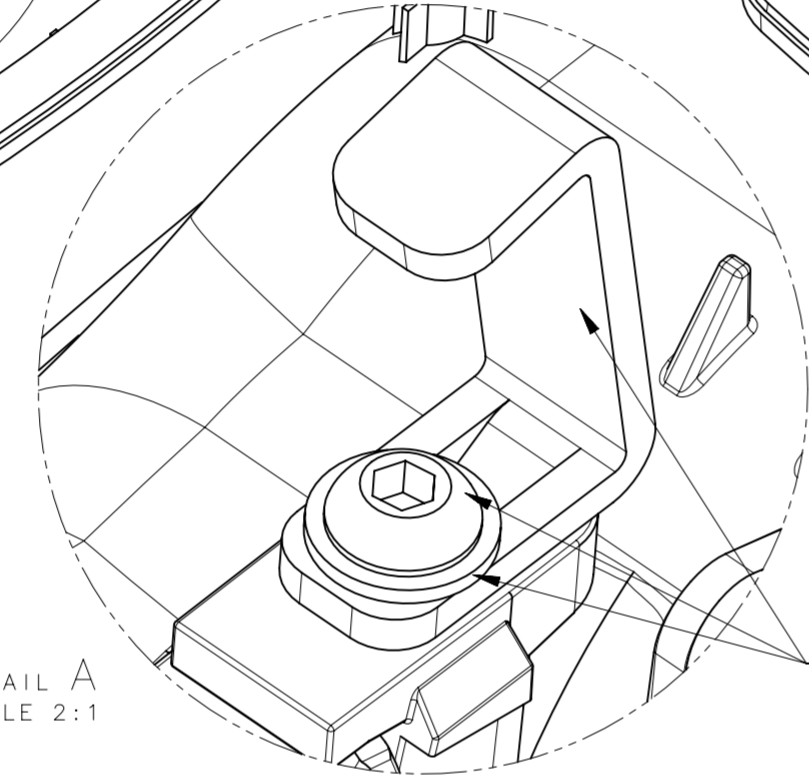
MULTIPOINT, WITH CABLE BRACKET:
12.5mm MAX TRAVEL (SEE BELOW)



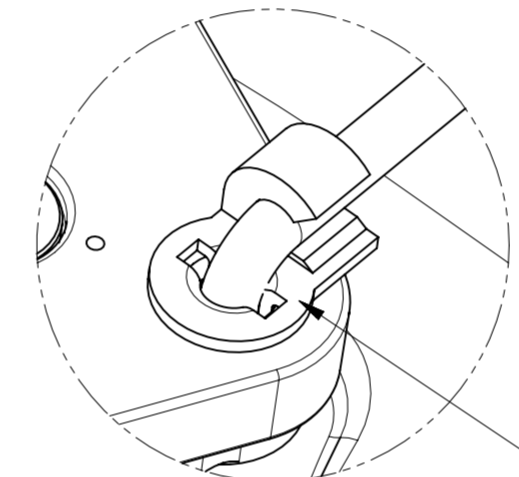
SEE DETAIL A
M6 THREADED INSERT IN HANDLE TIP
TRIGGER PULL SOLD SEPARATELY. SEE DRAWING J-R4-0-51292 FOR MORE DETAIL.

RECOMMENDED FOR USE WITH RODS
SEE NOTE D

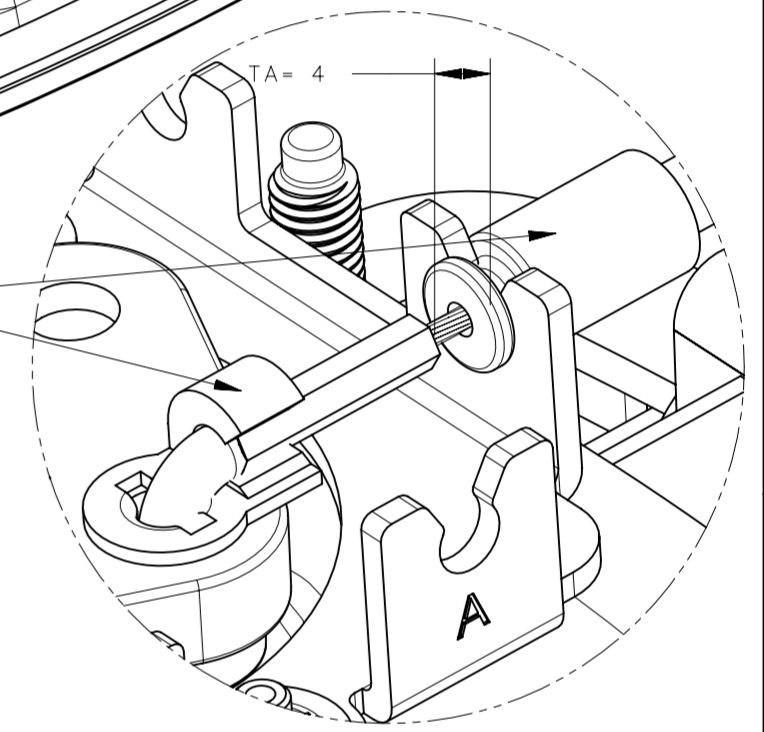
FOR USE WITH CABLES
SEE NOTES D & E
BRACKET MARKINGS:
"A" FOR CABLES TO ADDITIONAL ACTUATOR
"L" FOR CABLES TO ROTARY LATCHES



TRIGGER PULL AND M6 SCREW/WASHER NOT INCLUDED

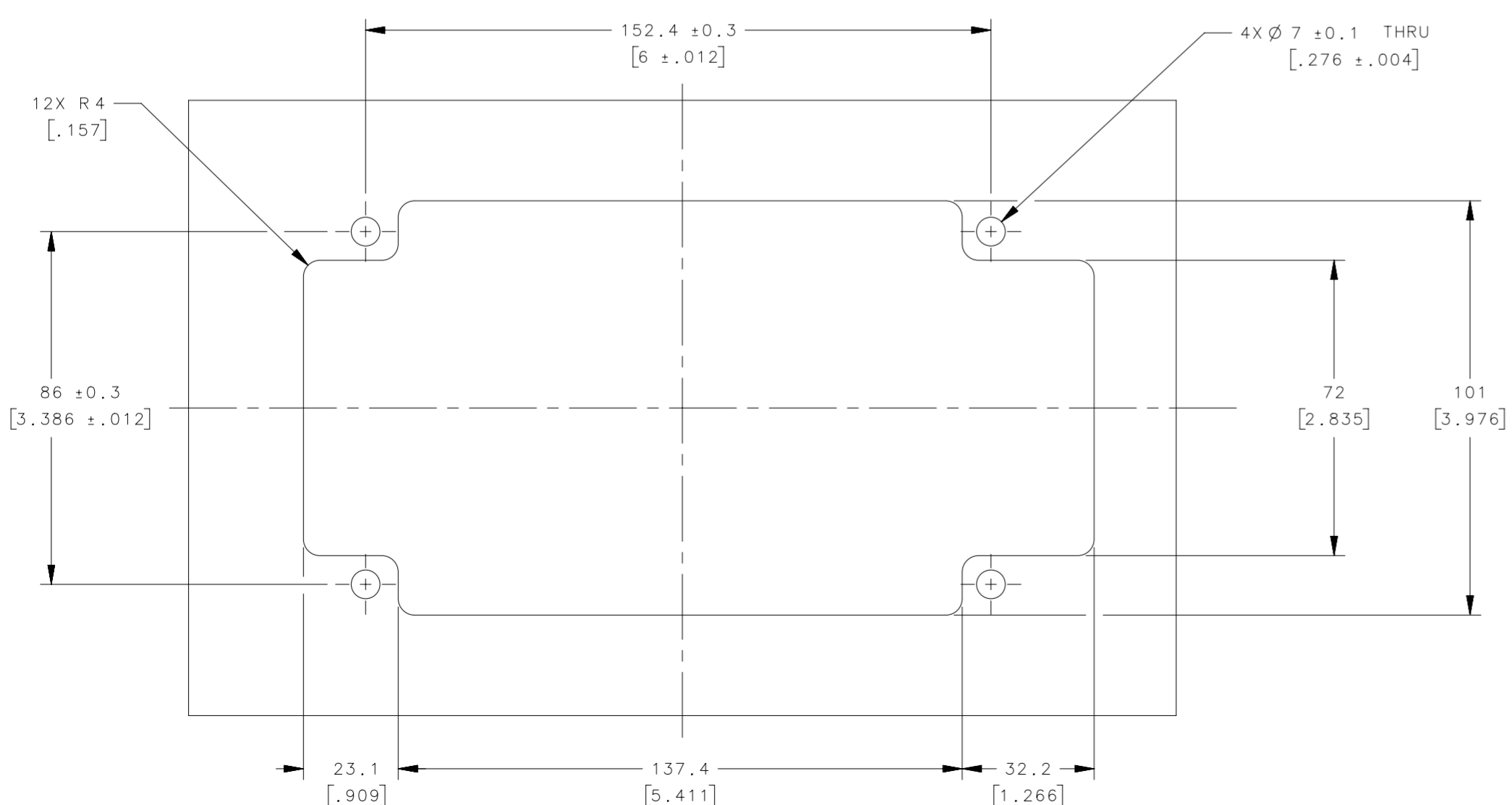


DETAIL B SCALE 2:1

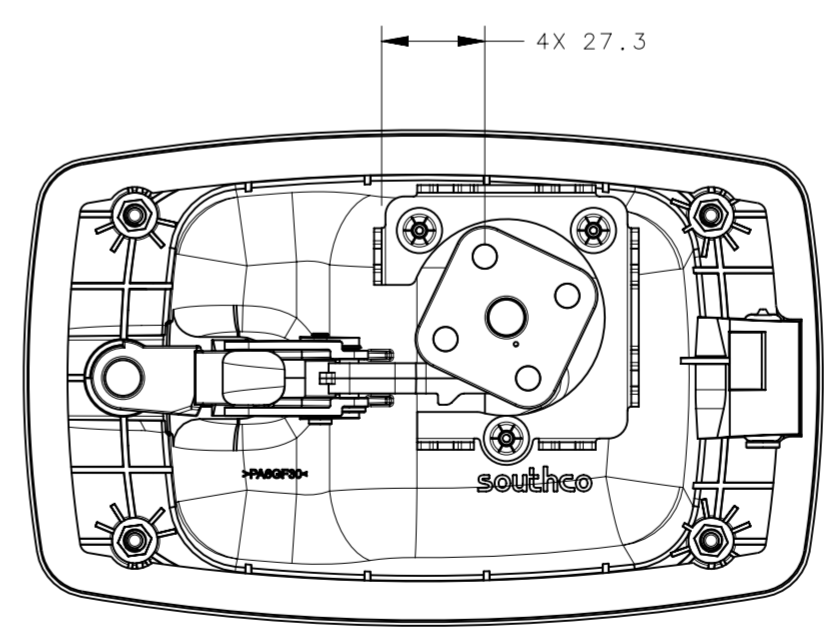


DETAIL C SCALE 2:1

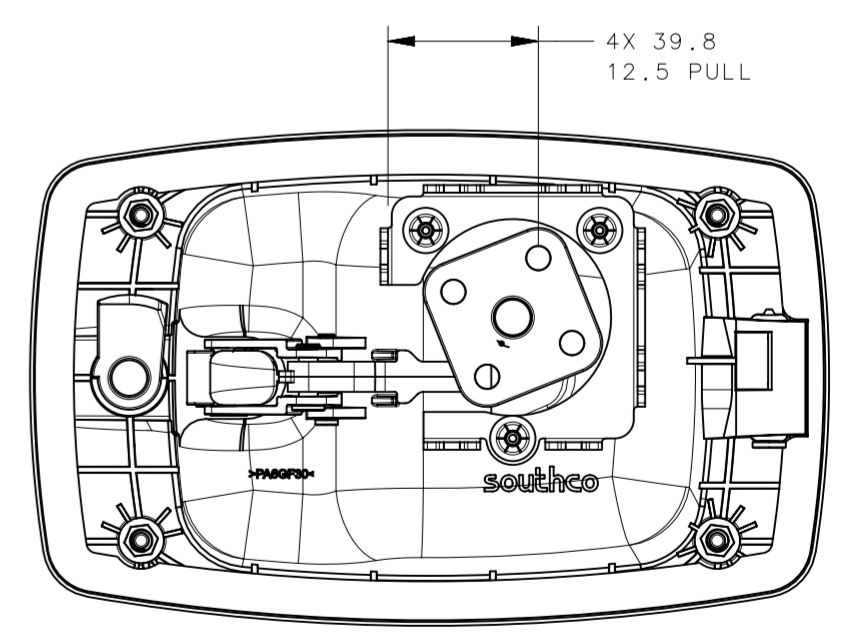
PANEL PREPARATION
MAX RECOMMENDED THICKNESS: 14mm



ROTOR PLATE TRAVEL



CLOSED



OPEN

THIRD ANGLE PROJECTION		 CONNECT · CREATE · INNOVATE	
MILLIMETERS [IN]			
SURFACE AREA		DESCRIPTION	
VOLUME		CUPPED HANDLE ACTUATOR FLUSH MOUNT	
PROPRIETARY ITEM EXCEPT FOR USES EXPRESSLY GRANTED IN WRITING. INFORMATION DISCLOSED HEREON IS CONFIDENTIAL AND ALL RIGHTS, PATENT AND OTHERWISE, ARE RESERVED BY SOUTHCO, INC.		SIZE SYSTEM	DWG NO.
PER ASME Y14.5M-2009		A2 NX	J-AC-10
		DRAWN BY	SCALE
		ACH/ASM	DNS
		DATE	SHEET
		25JUN2013	2 OF 2