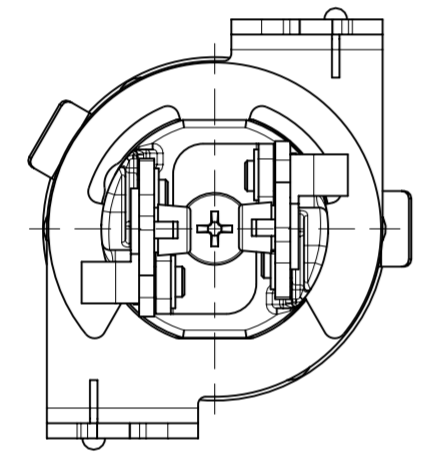
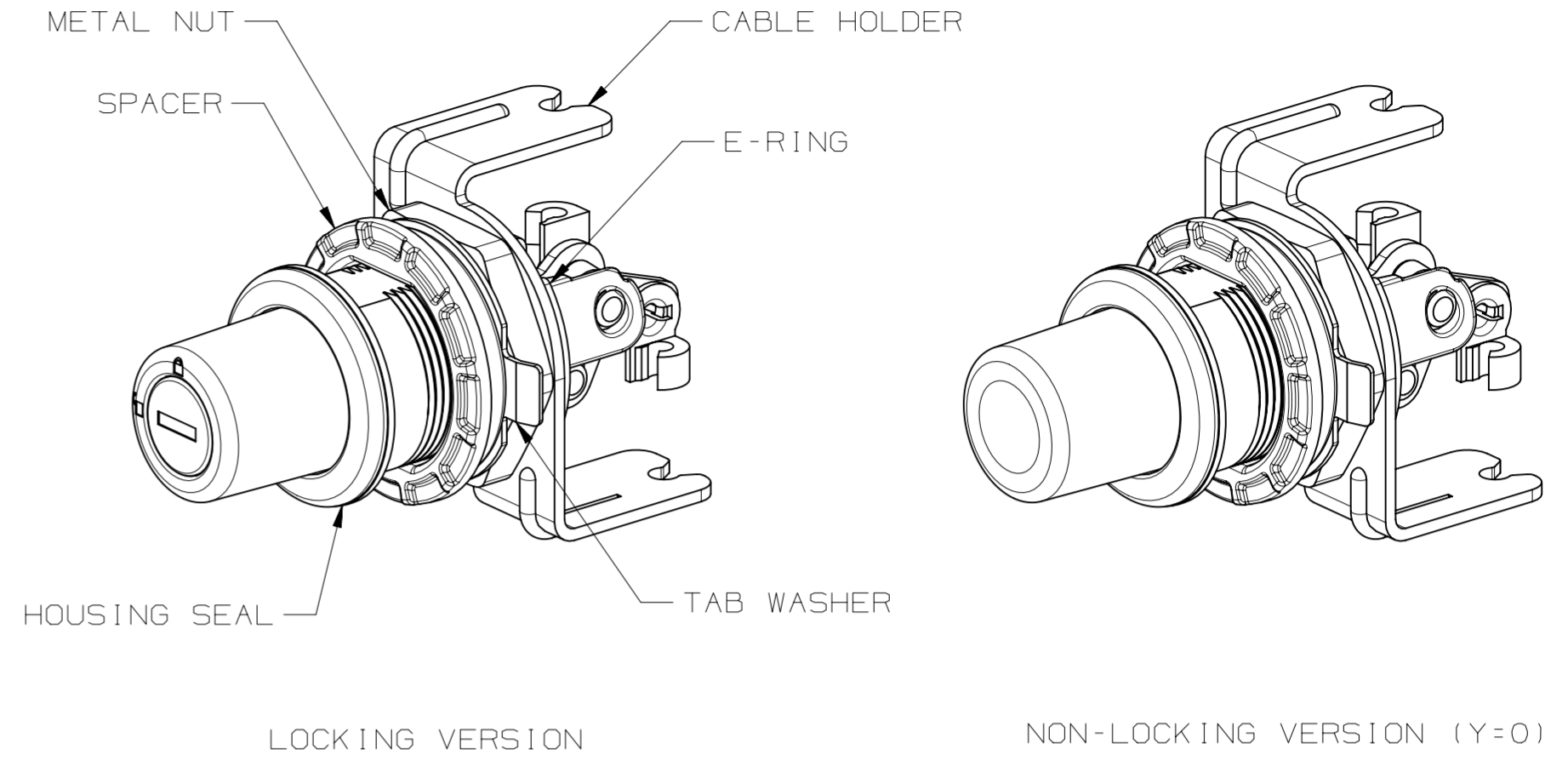
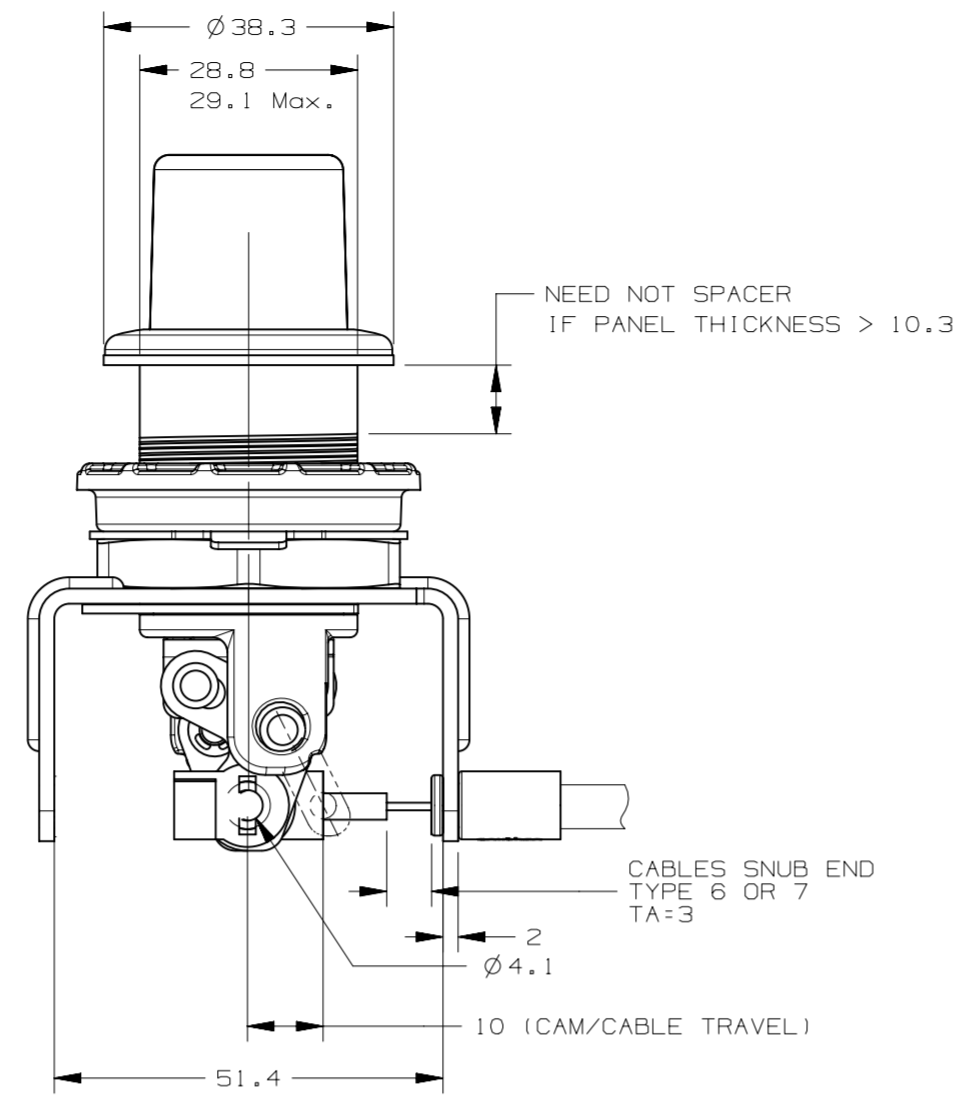
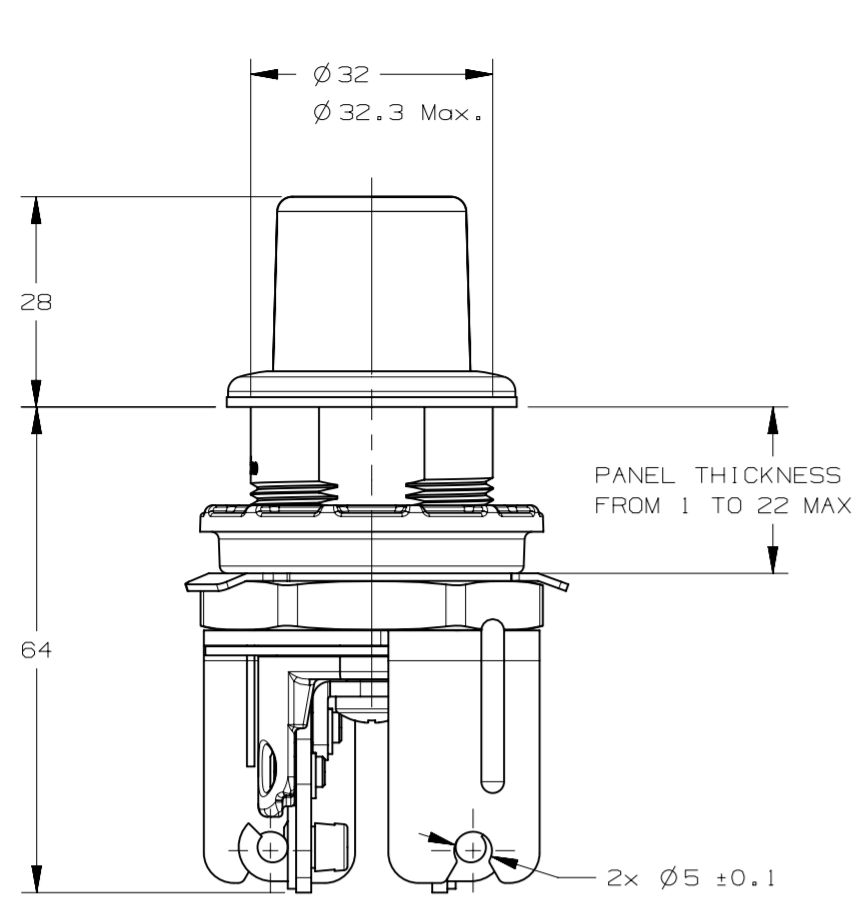
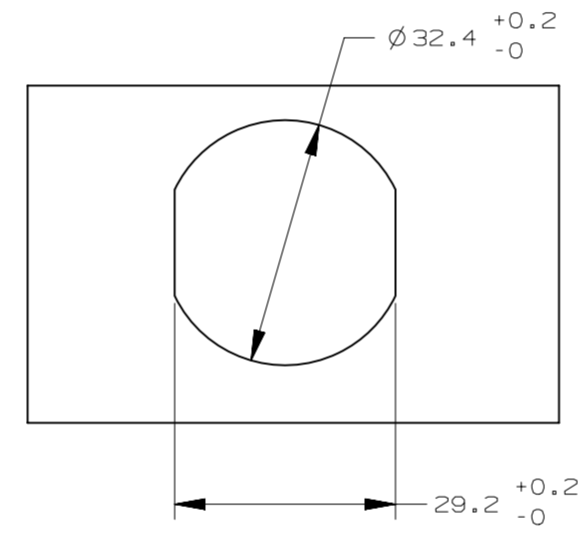


REVISION HISTORY			
REV	DATE	BY	DESCRIPTION
K	18JUL2024	GJL/SAK	PRN: P2024-1249



AC-30-1YZ



PANEL PREPARATION THICKNESS: 1MM TO 22MM Max.

PART NUMBER
AC-30-XYZ-UV-WWWW

END STYLE
LOCKING OPTION
MOUNTING METHOD
HOUSING MATERIAL
BUTTON FINISH
KEY CODES

END STYLE - X:
1-WITH CAM ATTACHMENT
3-WITHOUT CAM ATTACHMENT

LOCKING OPTION - Y:
0-NONLOCKING
1-REVERSIBLE KEY (NO KEYS - R001)
2-REVERSIBLE KEY (2 KEYS INCLUDED - R001)
3-REVERSIBLE KEY (MULTIPLE KEY CODES - 2 KEYS INCLUDED-KDXX)
4-STANDARD KEY (NO KEYS - CH751)
5-STANDARD KEY (2 KEYS INCLUDED - CH751)
6-STANDARD KEY (MULTIPLE KEY CODES - 2 KEYS INCLUDED-MKXX)
7-14603 KEY CODE (2 KEYS INCLUDED)
9-WITHOUT LOCKLUG INSTALLED

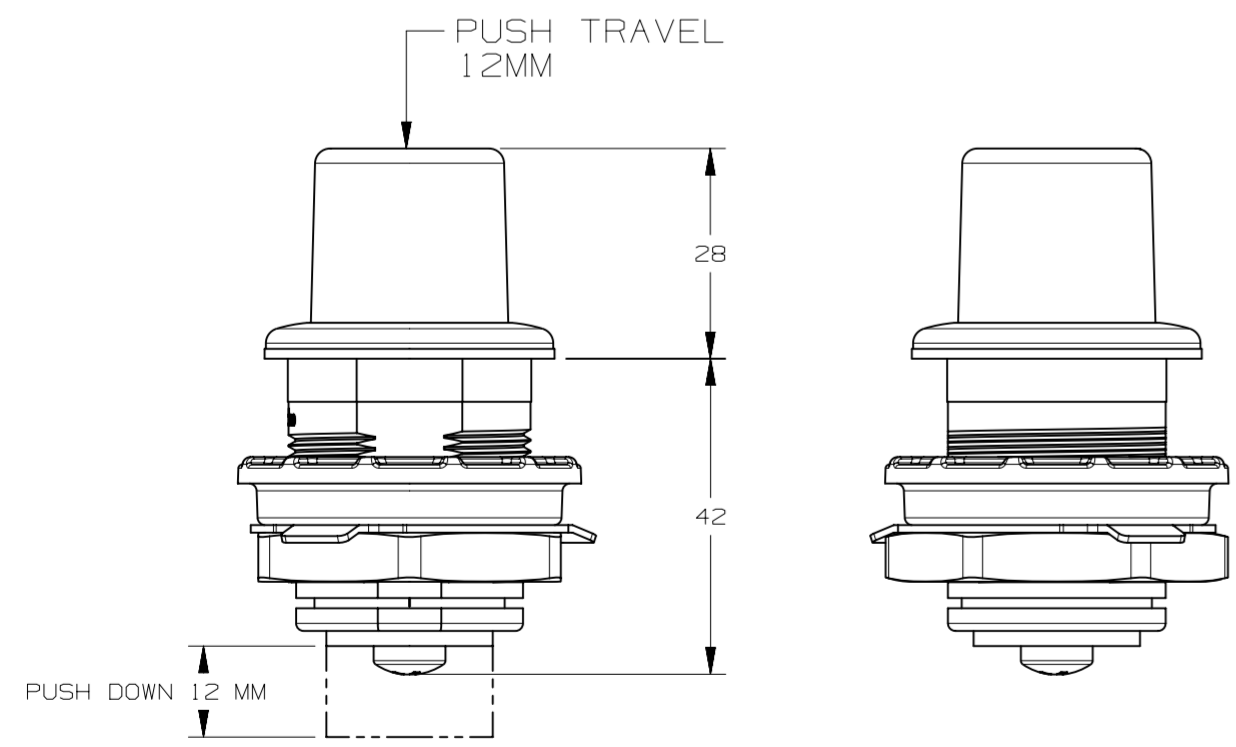
MOUNTING METHOD - Z:
1-WITH SPACER MOUNTING - MUST HAVE IF GLASS MOUNTING PANEL
2-WITHOUT SPACER MOUNTING

HOUSING MATERIAL - U:
1-ZINC WITH BLACK POWER COAT
3-STAINLESS STEEL WITH BLACK POWER COAT

BUTTON MATERIAL & FINISH - V:
1-NYLON WITH BLACK MOLDING

KEY CODES (ONLY USE WHEN Y=3 OR 6) - WWWW:
KD10-KEYED DIFFERENTLY (10 CODES)
MK10-MASTER KEYED, KEYED DIFFERENTLY, 10 CODES
(ONLY USED IF Y= 6)

- NOTE:
- HOUSING SEAL, SPACER, METAL NUT, CABLE HOLDER WITH E-RING PACKAGE SEPARATELY
 - MATERIAL AND FINISH:
 - BUTTON: REINFORCED NYLON, SEE V;
 - HOUSING: ZINC DIE CAST OR STAINLESS STEEL, SEE U FOR HOUSING MATERIAL AND FINISH
 - LOCK PLUG: ZINC DIE CAST WITH BRIGHT STAINLESS COVER
 - MOUNTING NUT, ROTATION SHAFT: ZINC DIE CAST OR STAINLESS STEEL,
 - CAM, CAM WASHER, RIVET: STAINLESS STEEL, PASSIVATED
 - E-RING, SCREW, SPRING: STAINLESS STEEL, PASSIVATED
 - INSTALLATION:
 - INSERT ACTUATOR HOUSING WITH SEAL INTO HOLE OF DOOR, CHECK FOR PROPER ORIENTATION AND OPERATION
 - INSTALL SPACER, TAB WASHER, METAL NUT ONTO HOUSING, RECOMMENDED TIGHTENING TORQUE (M32X1.5): FOR STAINLESS STEEL NUT AND HOUSING: 100Nm Max. FOR ZINC ALLOY NUT AND HOUSING: 50Nm Max.
 - CLIP ONE SIDE OF TAB WASHER TO HOLD METAL NUT, MUST TOUCH WITH THE SIDE WALL OF NUT, MAXIMUM CLEARANCE 1MM.
 - FOR CABLE/ROD CONNECTION: INSTALL THE CABLE HOLDER AND CLIP WITH E-RING, MOUNTING CAM ON PAWL WITH HOLDER
 - ASSEMBLY CAN BE CONFIGURED WITH 1 OR 2 CABLES. RECOMMENDED SOUTHCO CABLE TYPE 6 OR 7 USE FITTING TYPE B OR K (L FITTING) FOR ACTUATOR END. CABLES SOLD SEPARATELY. REFER TO SOUTHCO CABLE CONFIGURATOR TOOL ON SOUTHCO.COM



AC-30-3YZ

(WITHOUT CAM ATTACHMENT FOR DIRECT ACTUATION. SAME AS AC-30-1YZ EXCEPT OF NO CABLE HOLDER OR CAM ASSEMBLY)

AC-30-XYZ-UV-WWWW		SEE NOTES	SEE NOTES
PART NUMBER		MATERIAL	FINISH
THIRD ANGLE PROJECTION			
MILLIMETERS [IN]			
TOLERANCES UNLESS OTHERWISE NOTED		DESCRIPTION	
SURFACE AREA		PUSH BUTTON ENTRY ACTUATOR	
VOLUME		ALL DIMENSIONS WITHOUT TOLERANCES ARE FOR REFERENCE ONLY.	
PROPRIETARY ITEM EXCEPT FOR USES EXPRESSLY GRANTED IN WRITING. INFORMATION DISCLOSED HEREON IS CONFIDENTIAL AND ALL RIGHTS, PATENT AND OTHERWISE, ARE RESERVED BY SOUTHCO, INC.		SIZE SYSTEM	DWG NO.
PER ASME Y14.5M-2009		A2 NX	J-AC-30
DRAWN BY		DATE	SCALE
MZ		10FEB2010	1:1
			SHEET 1 OF 1