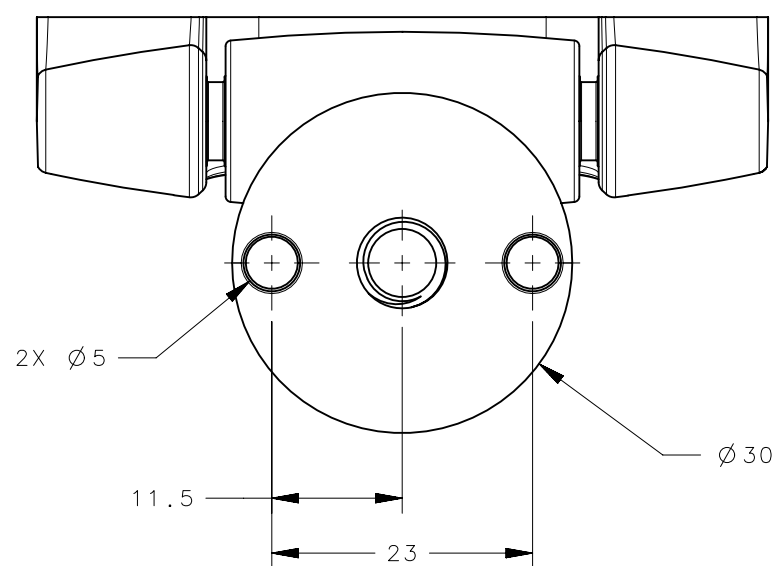
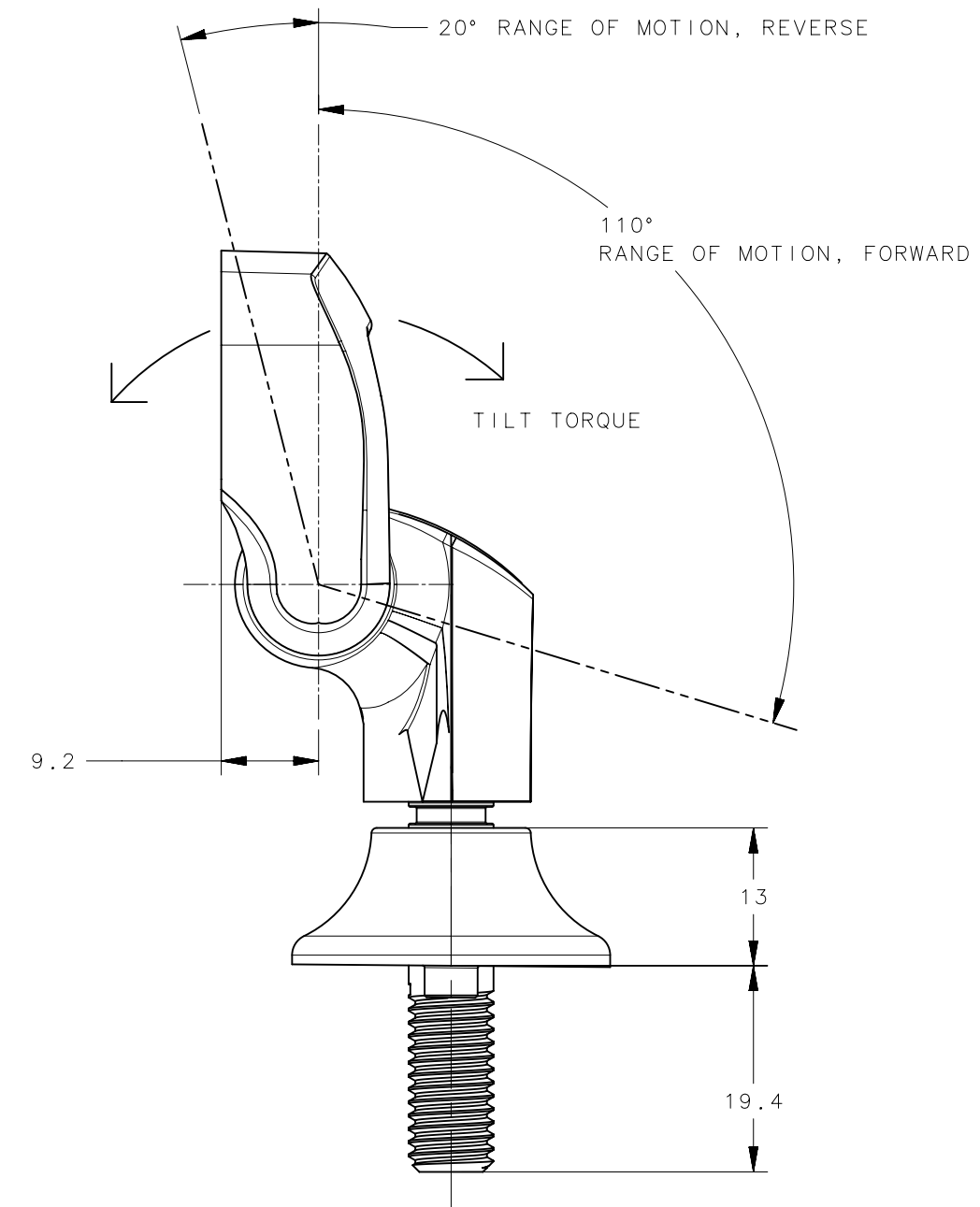
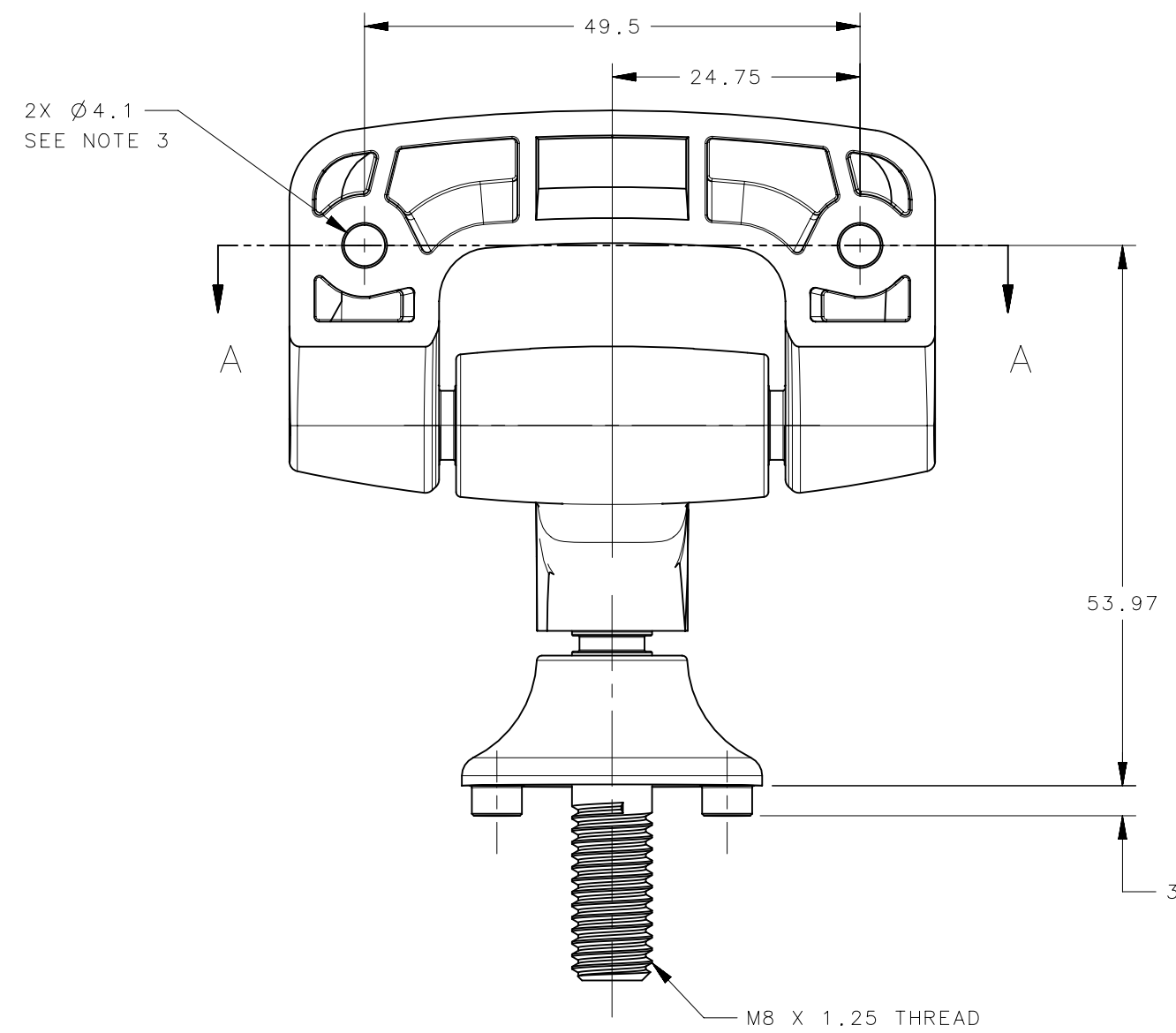
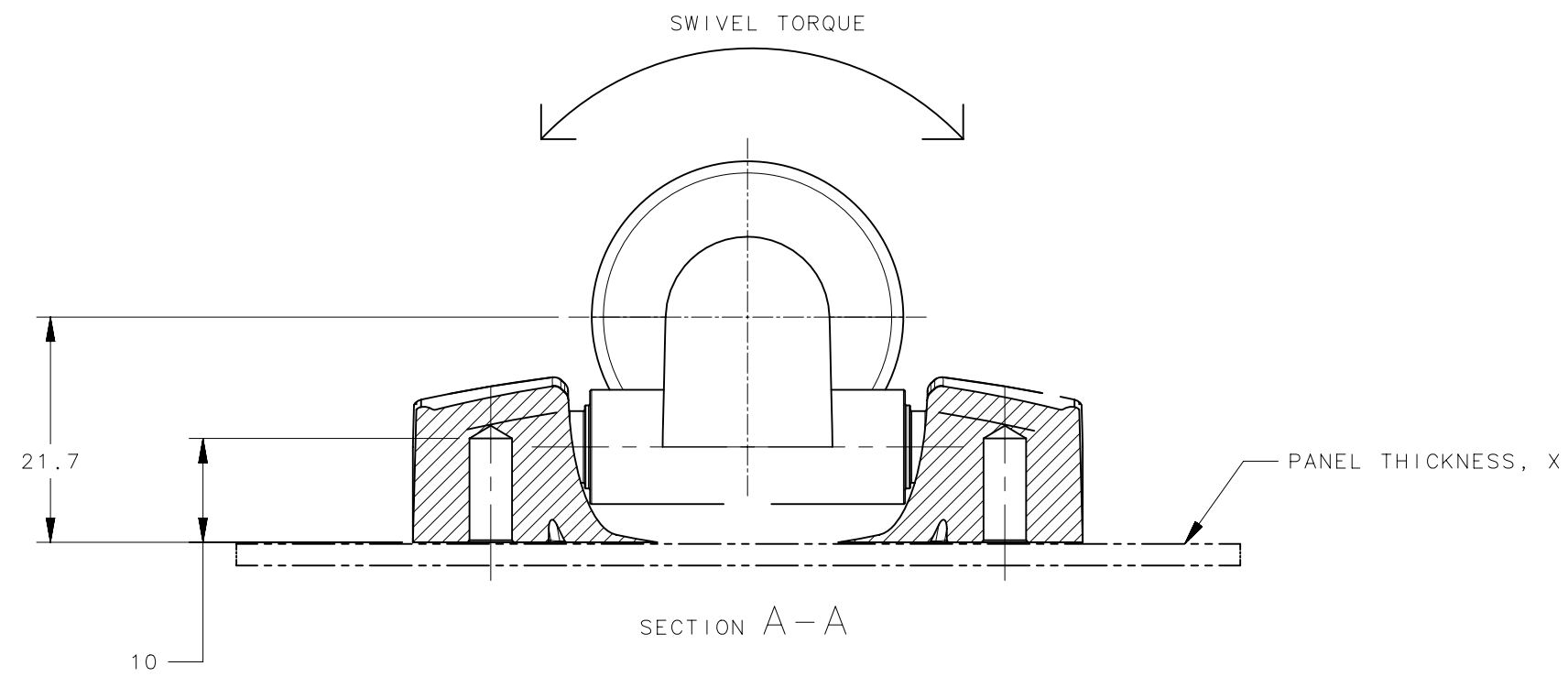


REVISION HISTORY			
REV	DATE	BY	DESCRIPTION
D	22AUG2014	JJT/MJS	PRN: P2014-1602



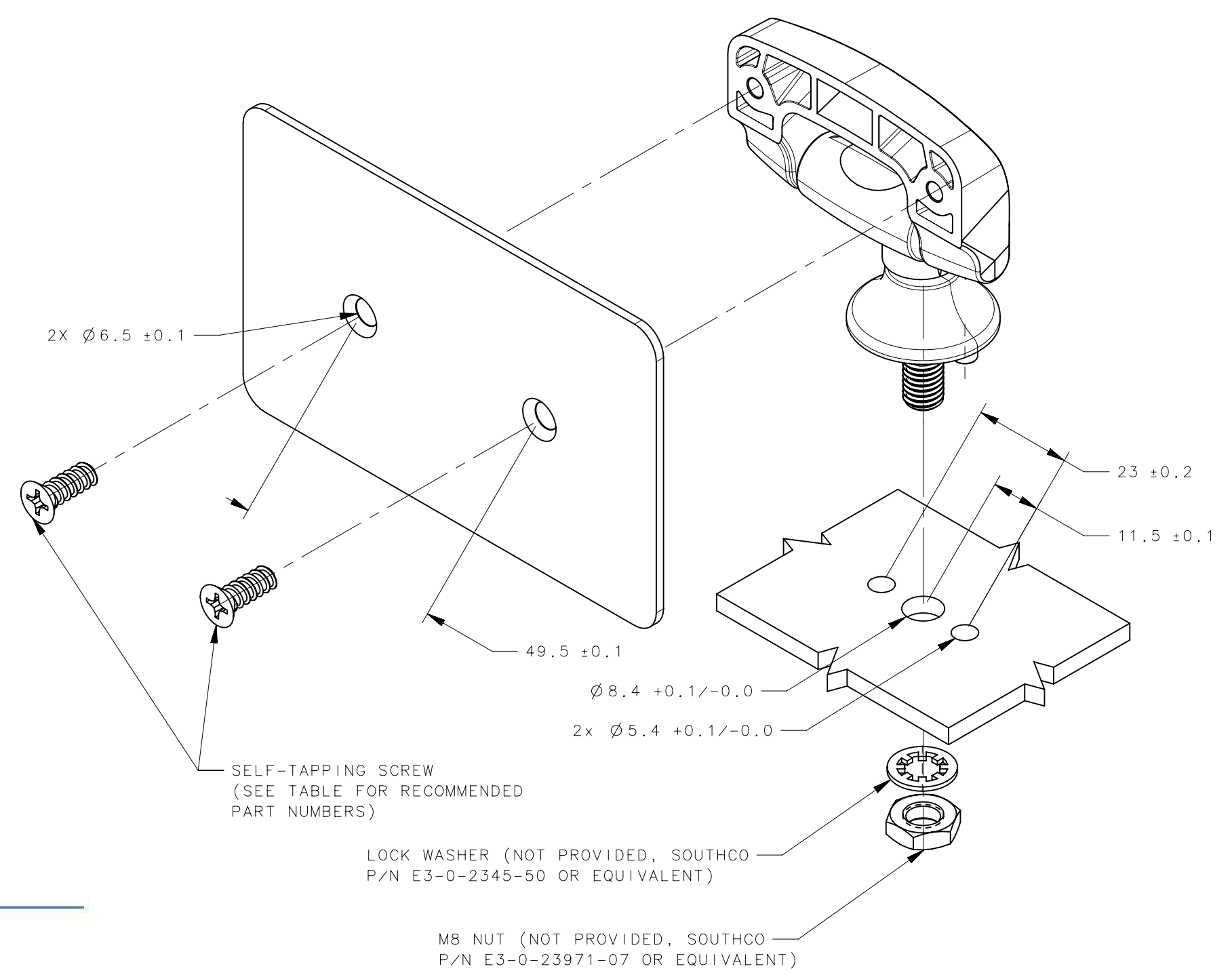
NOTES:

- SWIVEL TORQUE:
 NOMINAL: 2.15 N-m (19.0 in-lbf)
 MINIMAL: 1.69 N-m (15.0 in-lbf)
 TILT TORQUE:
 NOMINAL: 2.82 N-m (25.0 in-lbf)
 MINIMAL: 2.26 N-m (20.0 in-lbf)
- SHOWN IN SHIPPING POSITION
- CUSTOMER TO MOUNT USING:
 - SELF-TAPPING SCREWS (SEE CHART FOR SOUTHCO P/N, PURCHASED SEPERATELY)
 - M8 NUT (NOT PROVIDED, SOUTHCO P/N E3-0-23971-07 OR EQUIVALENT)
 - LOCK WASHER (NOT PROVIDED, SOUTHCO P/N E3-0-2345-50 OR EQUIVALENT)
- MATERIALS USED: GLASS-FILLED NYLON (COLOR BLACK), STAINLESS STEEL
- MAX TIGHTENING TORQUE OF SCREWS IS 2.3N-m (20.0 in-lbf)

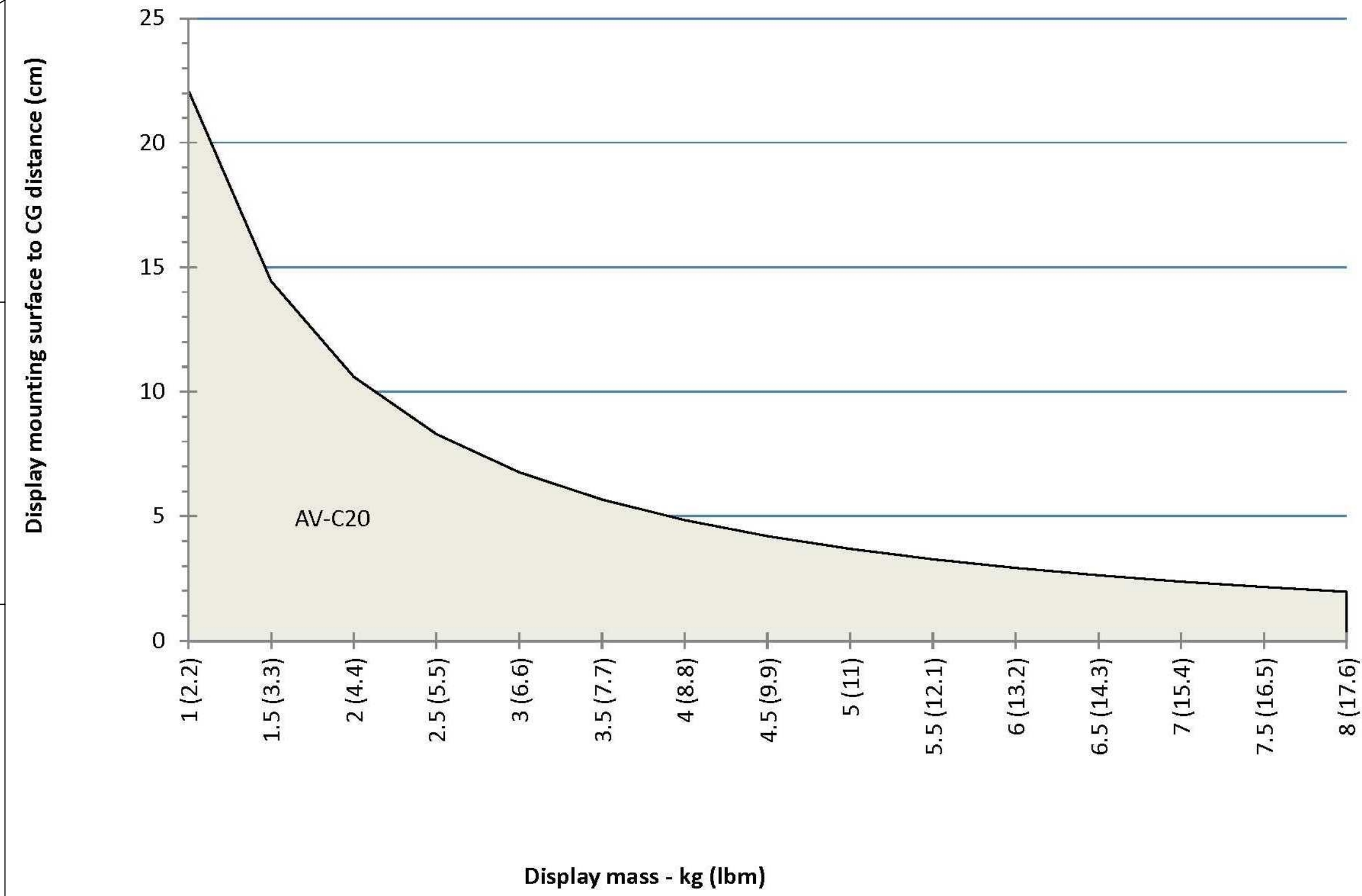
PANEL THICKNESS, X (mm)	RECOMMENDED PAN-HEAD SCREW (SOUTHCO P/N)	RECOMMENDED FLAT-HEAD SCREW (SOUTHCO P/N)
1-4 *	96-79-1	96-79-11
4-7	96-79-2	96-79-12
* - FLAT HEAD SCREWS NOT RECOMMENDED FOR PANEL THICKNESSES LESS THAN 3mm		
THIRD ANGLE PROJECTION		southco CONNECT · CREATE · INNOVATE
MILLIMETERS [IN]		
SURFACE AREA XXXXXmm ²		STANDARD TILT AND SWIVEL OVERMOLD HINGE
VOLUME XXXXXmm ³		
PROPRIETARY ITEM EXCEPT FOR USES EXPRESSLY GRANTED IN WRITING, INFORMATION DISCLOSED HEREON IS CONFIDENTIAL AND ALL RIGHTS, PATENT AND OTHERWISE, ARE RESERVED BY SOUTHCO, INC.		ALL DIMENSIONS WITHOUT TOLERANCES ARE FOR REFERENCE ONLY. PER ASME Y14.5M-1994
DRAWN BY JJT		DATE 23JAN2013 SCALE 1:1 SHEET 1 OF 2

AV-C20-K101-20	ASSEMBLY
PART NUMBER	TYPE OF COMPONENT

REVISION HISTORY			
REV	DATE	BY	DESCRIPTION
D	22AUG2014	JJT/MJS	PRN: P2014-1602



AV-C20 Series - Capacity vs. Cg Distance



THIRD ANGLE PROJECTION			
MILLIMETERS [IN]			
SURFACE AREA XXXXXmm ²		DESCRIPTION Hinge & Controlled Motion Device	
VOLUME XXXXXmm ³		ALL DIMENSIONS WITHOUT TOLERANCES ARE FOR REFERENCE ONLY.	
PROPRIETARY ITEM		SIZE C	SYSTEM NX
EXCEPT FOR USES EXPRESSLY GRANTED IN WRITING, INFORMATION DISCLOSED HEREON IS CONFIDENTIAL AND ALL RIGHTS, PATENT AND OTHERWISE, ARE RESERVED BY SOUTHCO, INC.		DWG NO. J-AV-C20-K101	
PER ASME Y14.5M-1994		DRAWN BY JJT	DATE 23JAN2013
		SCALE 1:1	SHEET 2 OF 2