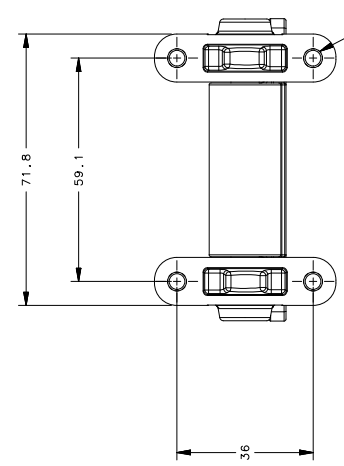
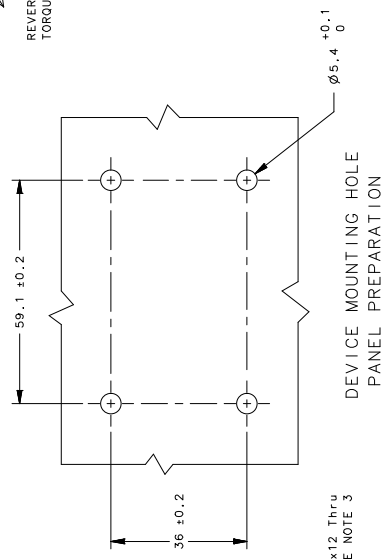
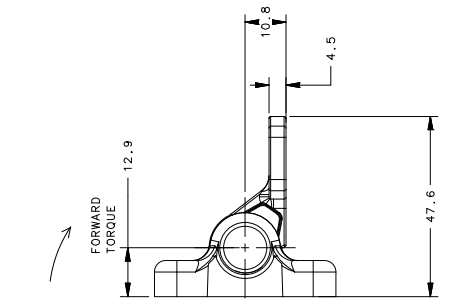
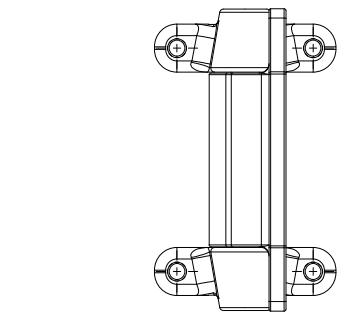
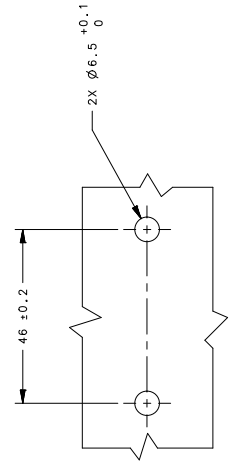


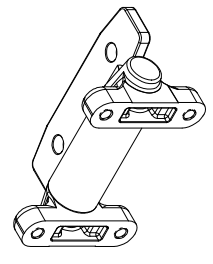
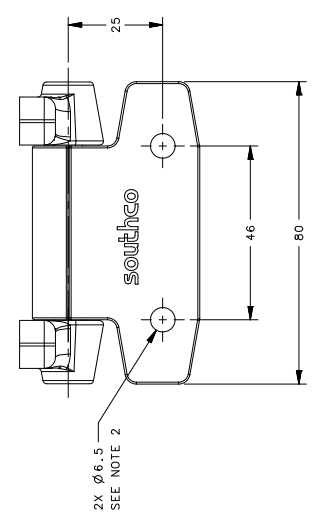
REV	DATE	BY	DESCRIPTION
A	30SEP2016	PDP/TJS	PRN: P2016-2172



M5x12 Thru
SEE NOTE 3



PANEL PREPARATION



PART NUMBER	DESCRIPTION	FINISH
AV-D25-XXXX-50	ASSEMBLY - COATED	BLACK POWDER
AV-D25-XXXX-76	ASSEMBLY - COATED	WHITE

PART NUMBER	FORWARD TORQUE		REVERSE TORQUE	
	N-m	in-lbs	N-m	in-lbs
AV-D25-2T035F-XX	3.9	(35.0)	3.0	(26.7)
AV-D25-2T050F-XX	5.7	(50.0)	4.0	(35.7)
AV-D25-2T065F-XX	7.3	(65.0)	5.4	(47.5)
AV-D25-2T080F-XX	9.0	(80.0)	6.7	(59.4)
AV-D25-2T095F-XX	10.7	(95.0)	7.8	(68.9)
AV-D25-2T110F-XX	12.4	(110.0)	9.0	(79.8)
AV-D25-2T035R-XX	3.0	(26.7)	3.9	(35.0)
AV-D25-2T050R-XX	4.0	(35.7)	5.7	(50.0)
AV-D25-2T065R-XX	5.4	(47.5)	7.3	(65.0)
AV-D25-2T080R-XX	6.7	(59.4)	8.9	(80.0)
AV-D25-2T095R-XX	7.8	(68.9)	9.9	(89.0)
AV-D25-2T110R-XX	9.0	(79.8)	12.4	(110.0)

THIRD ANGLE PROJECTION
MILLIMETERS [IN]
TOLERANCES UNLESS OTHERWISE NOTED

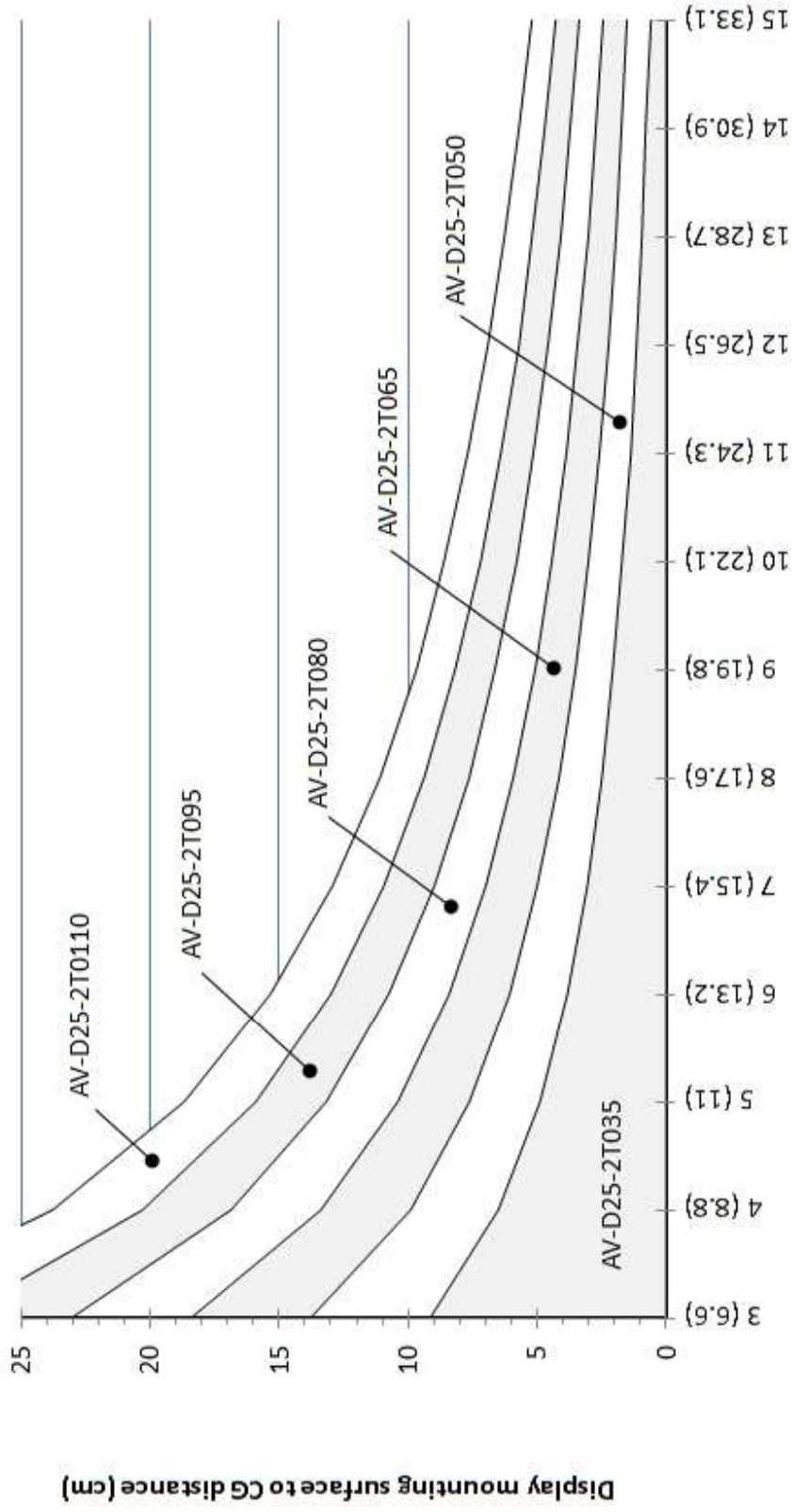
DESCRIPTION: Hinge & Controlled Motion Device
 HINGE LEAVES AND HOUSING: DIE CAST ALUMINUM, SEE TABLE FOR FINISH
 SHAFT & PIN: STEEL
 O-RINGS: BUNA-N RUBBER
 BEARINGS: BRASS

PER ASME Y14.5M-1994



- NOTES:
1. PERFORMANCE TORQUE TOLERANCE ±20%
 2. DESIGNED TO ACCEPT M6 SCREW OR EQUIVALENT
 3. DESIGNED TO ACCEPT M5 SCREW OR EQUIVALENT
 4. MATERIAL AND FINISH:
HINGE LEAVES AND HOUSING: DIE CAST ALUMINUM, SEE TABLE FOR FINISH
SHAFT & PIN: STEEL
O-RINGS: BUNA-N RUBBER
BEARINGS: BRASS

AV-D25 2T0-Series Model Selection Guide



Display mass - kg (lbm)

REVISION HISTORY	
REV	DESCRIPTION
A	21SEP2016 PDP/TJS PRN: P2016-2172

THIRD ANGLE PROJECTION	
MILLIMETERS [IN]	
TOLERANCES UNLESS OTHERWISE NOTED	
SURFACE AREA	XXXXXmm ²
VOLUME	XXXXXmm ³
WEIGHT	XXXXXmm ³
WEIGHT OF VESA MOUNTING PLATE	
WEIGHT OF VESA MOUNTING PLATE WITH VESA MOUNTING PLATE	
PER ASME Y14.5M-1994	

southco
CONNECT • CREATE • INNOVATE

Hinge & Controlled Motion Device
ARM ASSEMBLY WITHOUT VESA PLATE

DATE: 20SEP2016
DRAWN BY: PDP
CHECKED BY: NX
SYSTEM: J-AV-D25-2T0
SCALE: 1:1
SHEET: 2 OF 2