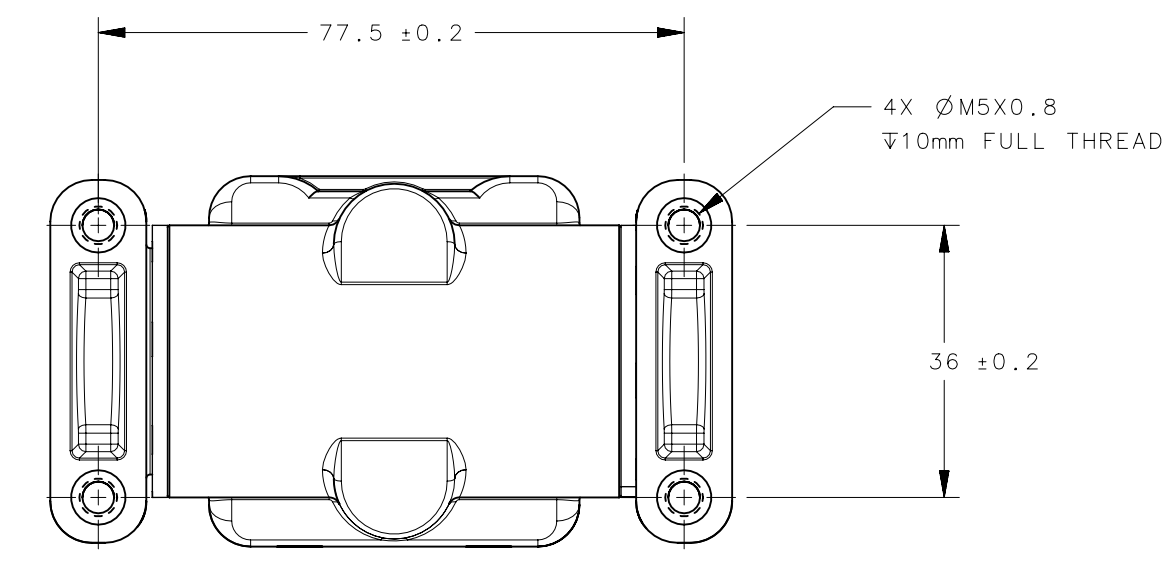
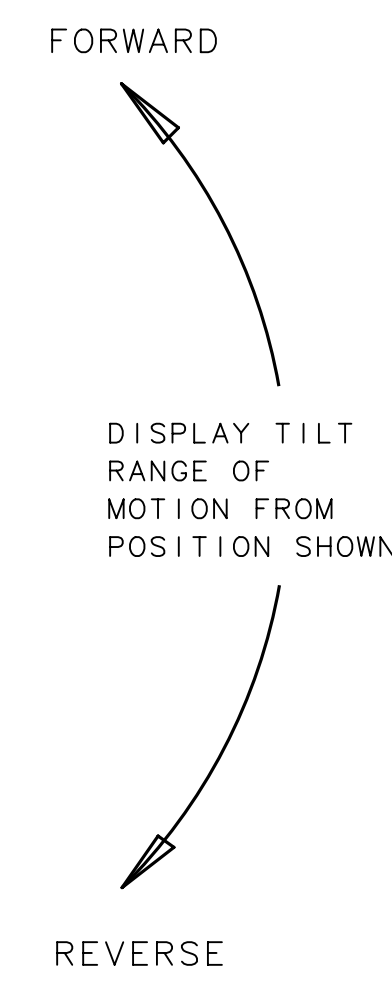
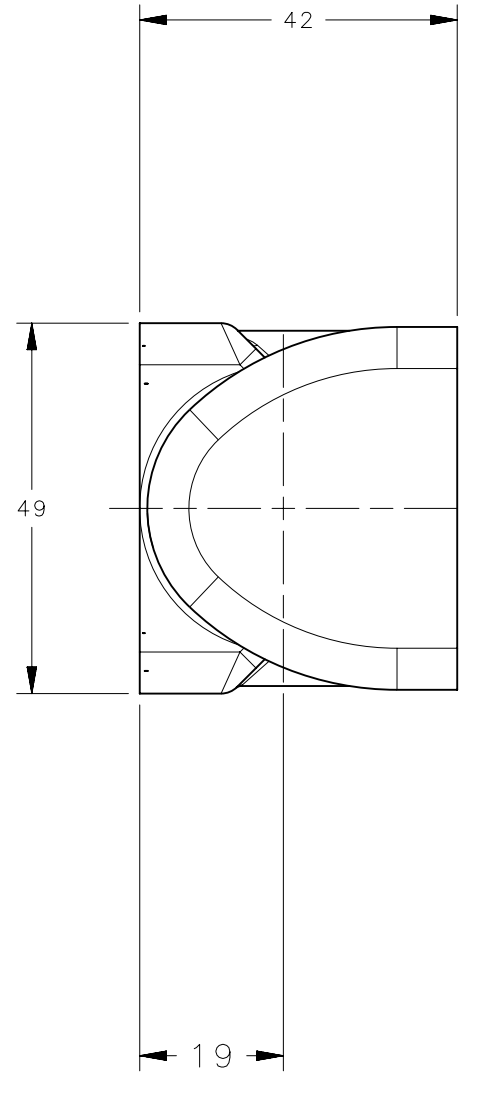
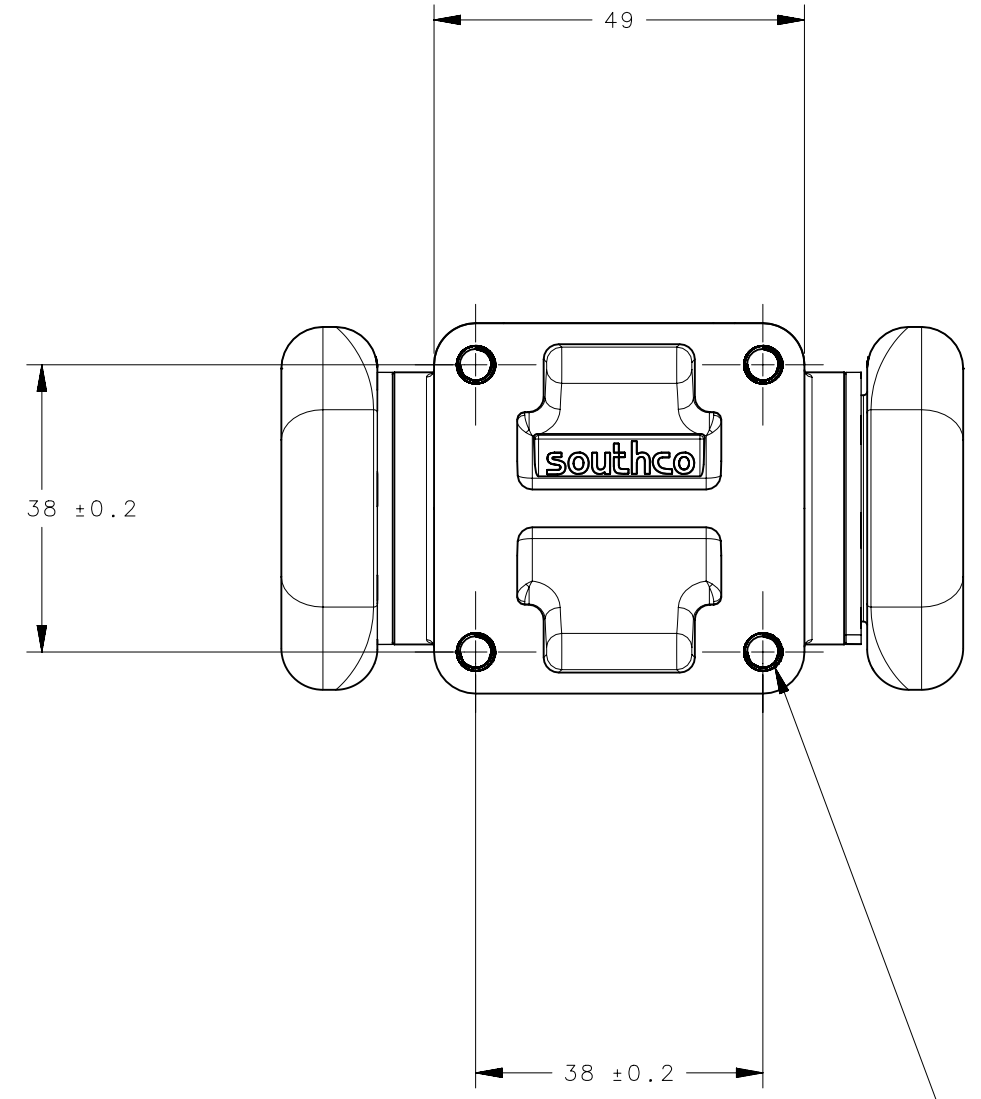
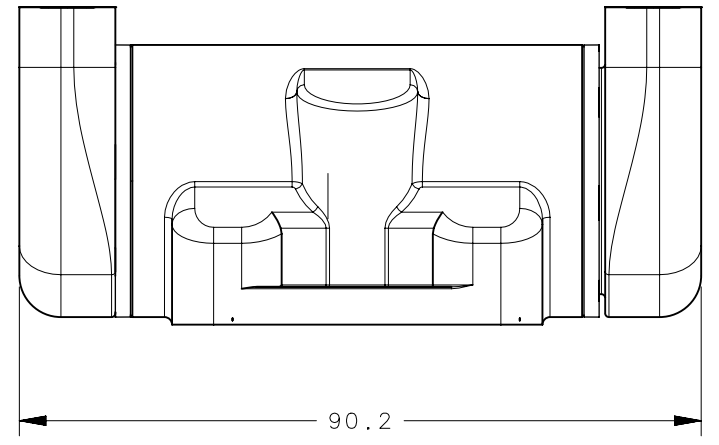
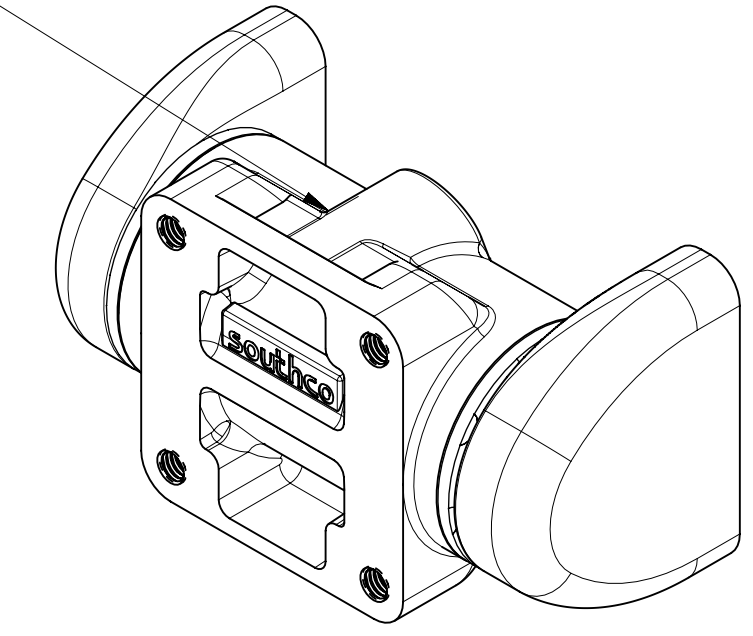


REVISION HISTORY			
REV	DATE	BY	DESCRIPTION
01	14MAY2024	HDF/SKB	PRN: 1P-2024-1180



NOTCHED AREA OF HOUSING MUST BE ON TOP WHEN MOUNTING DISPLAY VERTICAL AS SHOWN.



ISOMETRIC VIEW

NOTES:

- FINISH: SOUTHCO BLACK POWDER COAT PER S-93-02, OR OFFICE WHITE POWDER COAT PER S-93-14. EXTERIOR SURFACES: CLASS "C" PER SOUTHCO SPECIFICATION S-121.
- PART SHOWN IN ASSEMBLED POSITION. ASSEMBLY PACKAGED 10 OR 1 PER CONTAINER. MOUNTING HARDWARE IS NOT SUPPLIED.
- TILT ASSEMBLY SYSTEM AXIS MOTION AS INDICATED.
- TORQUE SPECIFICATIONS AT A CYCLE LIFE OF 20,000 AT 25% DUTY CYCLE AT SPEEDS LESS THAN 15 RPM:

DISPLAY TILT TORQUE TOLERANCE:  
±20% IN THE REVERSE DIRECTION

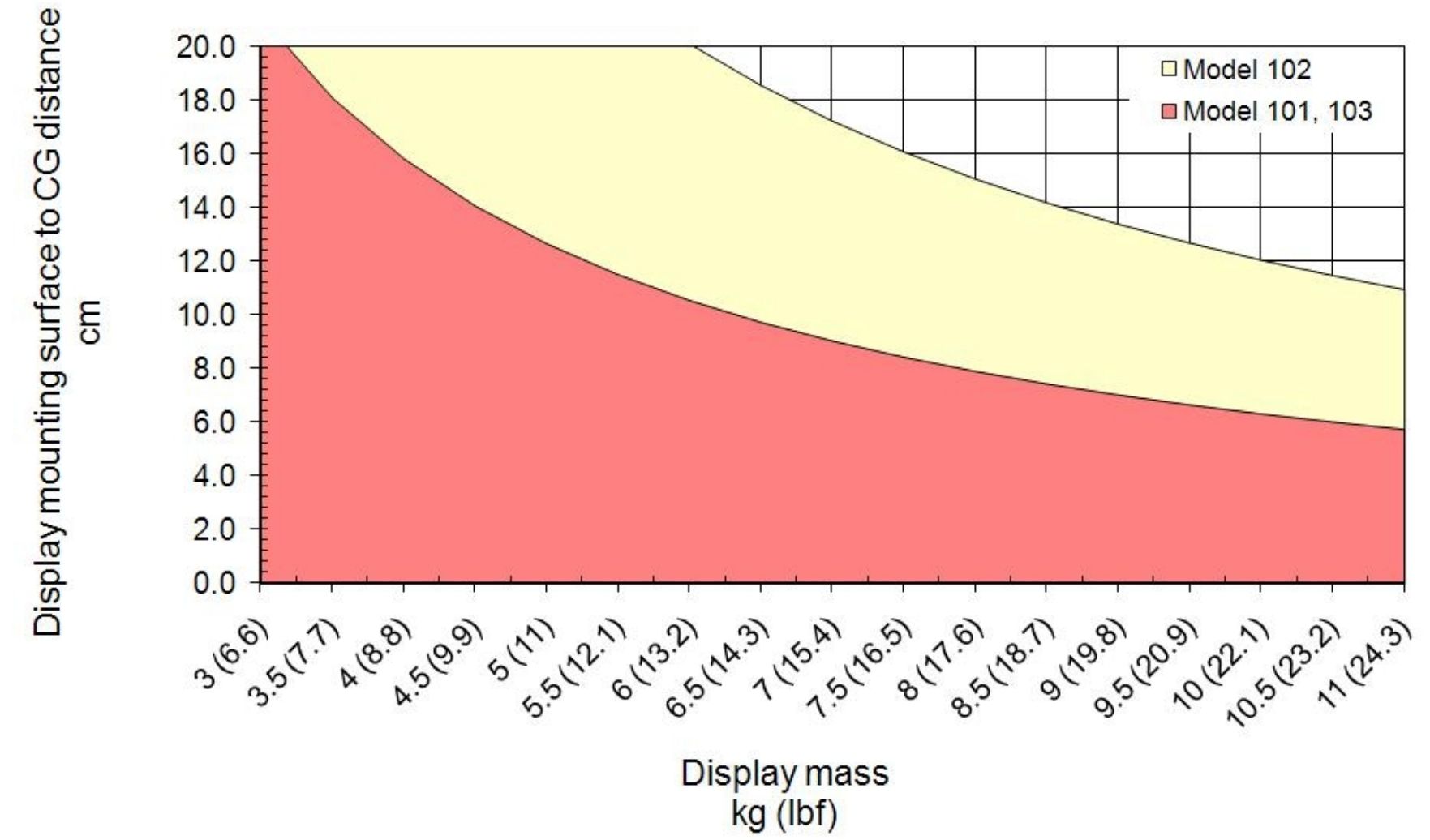
(NOTE: TILT FORWARD AND TILT REARWARD TORQUE MEASURED WITH THE DISPLAY IN THE VERTICAL (0°) POSITION. THE TILT TORQUE AT THE REARWARD TILT POSITION AND FORWARD TILT POSITION VARIES WITH THE COUNTERBALANCE.

SEE TABLE FOR DETAIL OF ACTUAL TORQUE AND FORCE SPECIFICATIONS

THE TILT SYSTEM SHALL WITHSTAND 20,000 CYCLES FOR THE TILT FUNCTION WHILE MAINTAINING TORQUES SPECIFIED ABOVE.

- ASSEMBLY 3D MODEL IS WITHOUT FINISH APPLIED TO SURFACES. POWDER COATING THICKNESS IS NOMINAL 0.2±0.1 mm.

PART NUMBER	MAXIMUM DISPLAY WEIGHT kg (lbm)	REARWARD TILT TORQUE N*m (lbf*in)	FORWARD TILT TORQUE N*m (lbf*in) (REFERENCE)	COLOR
AV-D30-5T0101-50	7.48 (16.5)	7.90 (70)	2.2 (19.5)	BLACK
AV-D30-5T0101-76	7.48 (16.5)	7.90 (70)	2.2 (19.5)	OFFICE WHITE
AV-D30-5T0102-50	14.9 (33)	15.36 (136)	2.26 (20)	BLACK
AV-D30-5T0102-76	14.9 (33)	15.36 (136)	2.26 (20)	OFFICE WHITE
AV-D30-5T0103-50	14.9 (33)	8.58 (76)	6.01 (53.2)	BLACK
AV-D30-5T0103-76	14.9 (33)	8.58 (76)	6.01 (53.2)	OFFICE WHITE



THIRD ANGLE PROJECTION		 CONNECT • CREATE • INNOVATE	
MASS	0.625 kg		
MILLIMETERS [IN]		DESCRIPTION	
TOLERANCES UNLESS OTHERWISE NOTED		HINGE & CONTROLLED MOTION DEVICE STANDARD TILT ASSEMBLY	
ALL DIMENSIONS WITHOUT TOLERANCES ARE FOR REFERENCE ONLY.		SIZE	DWG NO.
PROPRIETARY ITEM		D	NX
EXCEPT FOR USES EXPRESSLY GRANTED IN WRITING, INFORMATION DISCLOSED HEREON IS CONFIDENTIAL AND ALL RIGHTS, PATENT AND OTHER, ARE RESERVED BY SOUTHCO, INC.		SCALE	1:1
PER ASME Y14.5M-2009		SHEET	1 OF 1