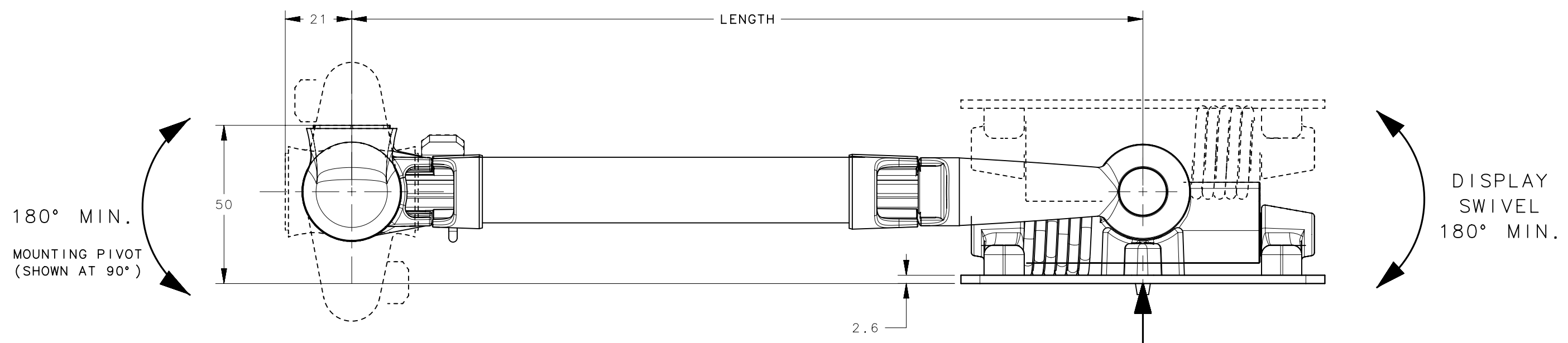


REVISION HISTORY			
REV	DATE	BY	DESCRIPTION
D	23AUG2016	IR/MJS	PRN: P2016-1941



NOTES:

1. FINISH: POWDERCOAT COLOR EXTERIOR SURFACES: CLASS "C" PER SOUTHCO SPECIFICATION S-121-03.
2. PART SHOWN IN ASSEMBLED POSITION. COVERS SHIPPED IN SEPARATE POLY BAG WITH INSTALLATION INSTRUCTIONS, ASSEMBLY PACKAGED 1 PER CONTAINER.
3. MOUNTING ARM SYSTEM AXIS MOTION AS INDICATED:
FORWARD 20° AND 20° REARWARD DISPLAY TILT
180° DISPLAY HORIZONTAL SWIVEL
180° ARM HORIZONTAL ARM PIVOT
4. TORQUE SPECIFICATIONS AT A CYCLE LIFE OF 20,000 AT 25% DUTY CYCLE AT SPEEDS LESS THAN 15 RPM:
SWIVEL TORQUE TOLERANCE: +35%/-20%
TILT TORQUE TOLERANCE: ±20%
WALL PIVOT FORCE TOLERANCE: ±20%

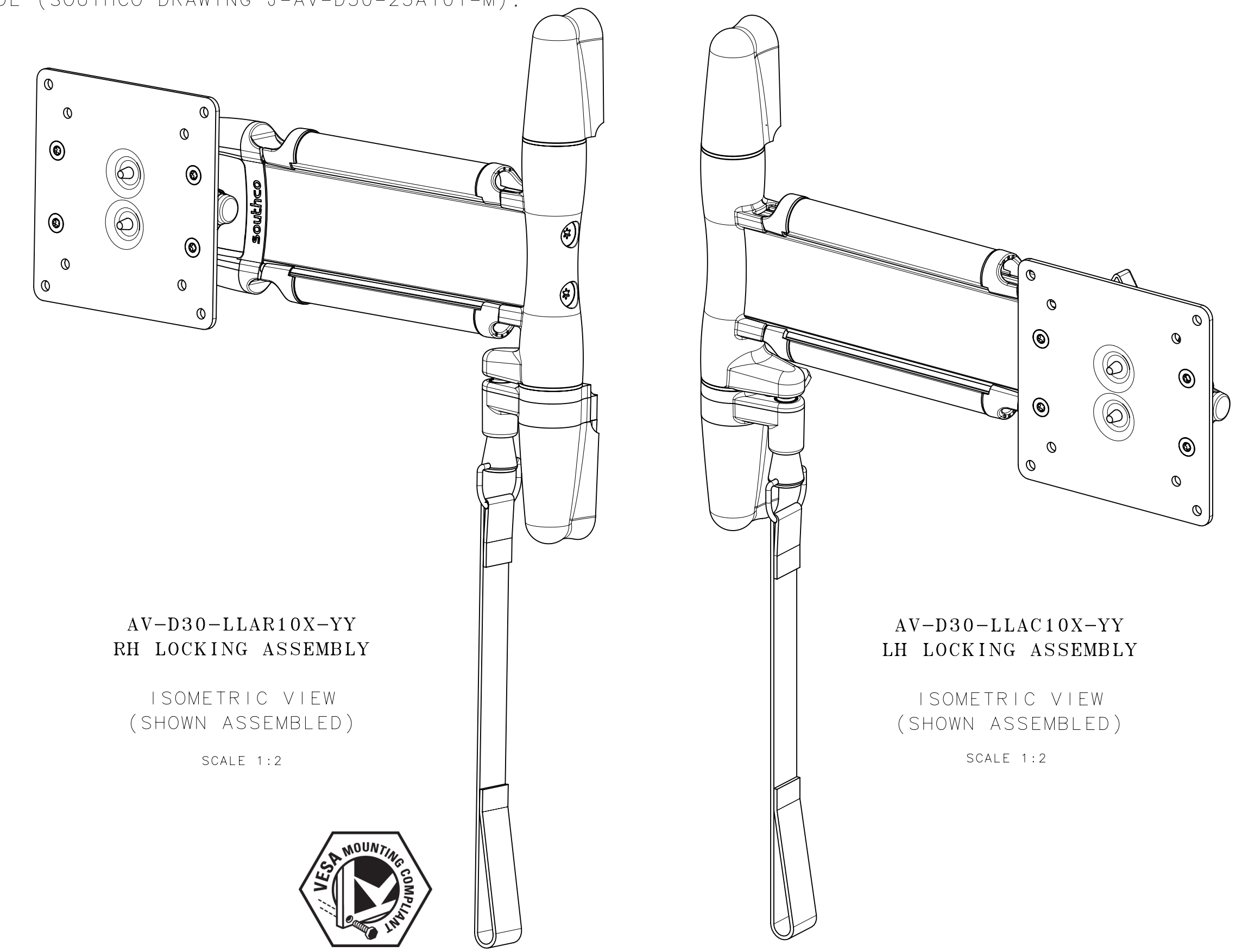
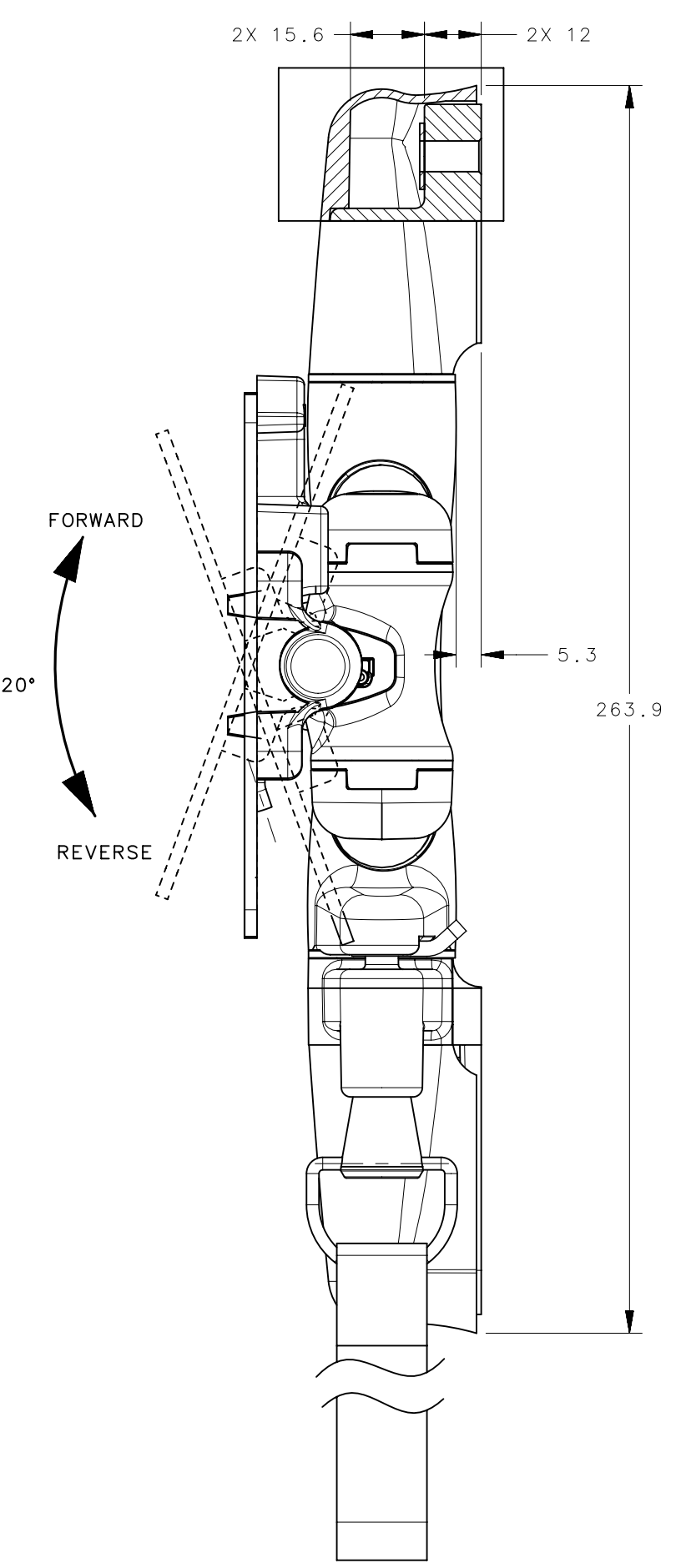
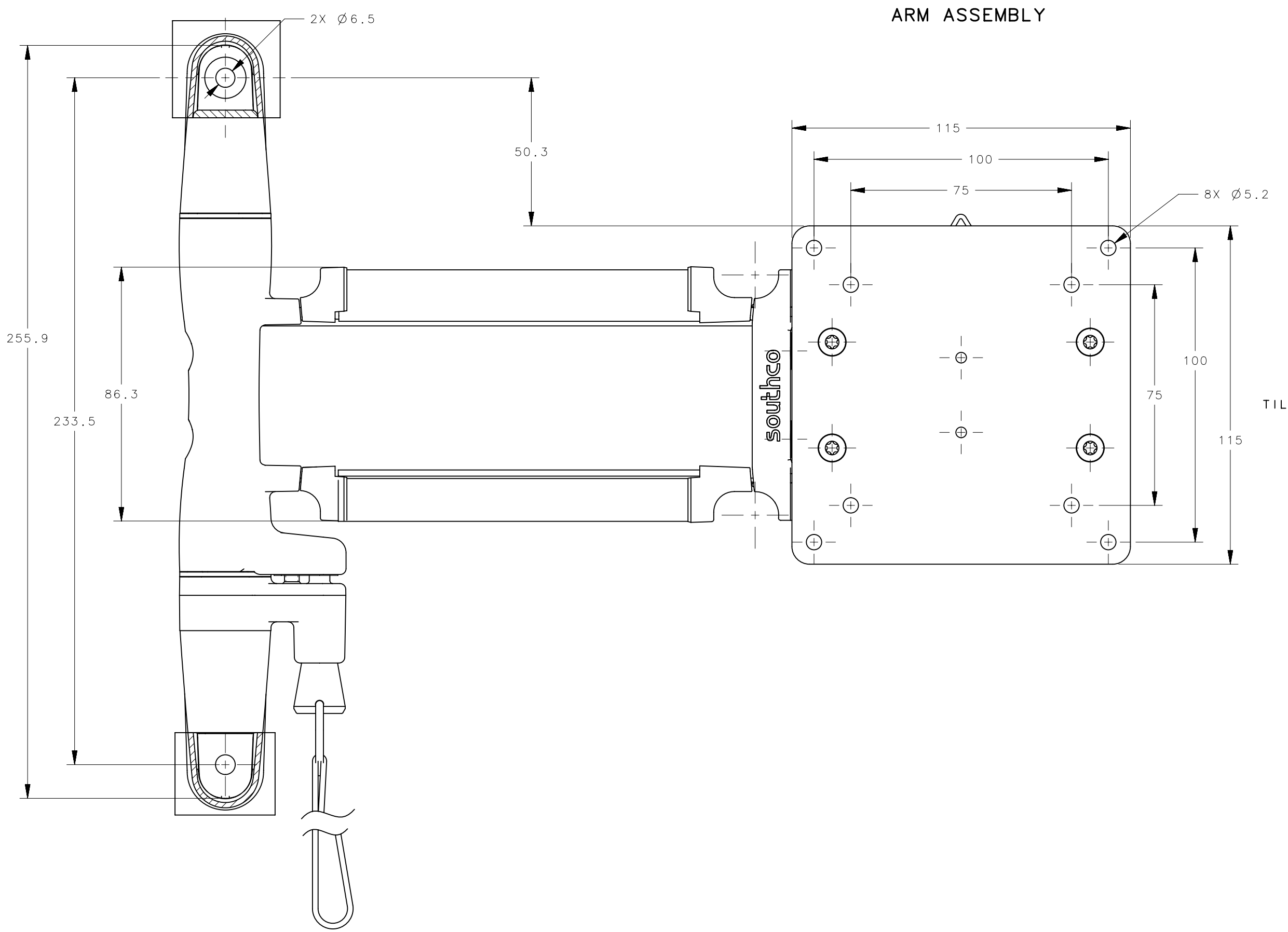
(NOTE: TILT FORWARD AND TILT REARWARD TORQUE MEASURED WITH THE DISPLAY IN THE VERTICAL (0°) POSITION. THE TILT TORQUE AT THE REARWARD TILT POSITION AND FORWARD TILT POSITION VARIES WITH THE COUNTERBALANCE.)

SEE TABLE FOR DETAIL OF ACTUAL TORQUE AND FORCE SPECIFICATIONS.

THE BRACKET SYSTEM SHALL WITHSTAND 20,000 CYCLES FOR THE TILT AND SWIVEL FUNCTION AND 20,000 CYCLES IN THE PIVOT FUNCTION WHILE MAINTAINING TORQUES SPECIFIED ABOVE.

*SOUTHCO PERFORMANCE AND APPLICATION GUIDELINES ARE SUPPLIED AS GENERAL GUIDES ONLY, AS CONDITIONS VARY WITH EACH APPLICATION AND INSTALLATION METHOD. REPRESENTED CYCLE PERFORMANCE IS NOT A GUARANTEE OF RELIABILITY UNDER ACTUAL USAGE CONDITIONS IN END USER PRODUCT APPLICATIONS. USERS MUST TEST POTENTIAL PRODUCT SOLUTIONS UNDER ACTUAL APPLICATION CONDITIONS AND ENVIRONMENT TO DETERMINE SUITABILITY OF THE PRODUCT FOR THE PURPOSE AND FUNCTION INTENDED BY THE USER AND TO ASSURE DESIRED PERFORMANCE.

5. FOR DETAILED INSTALLATION INSTRUCTIONS, CONSULT THE SOUTHCO DYNAMIC MONITOR ARM INSTALLATION GUIDE (SOUTHCO DRAWING J-AV-D30-25A101-M).

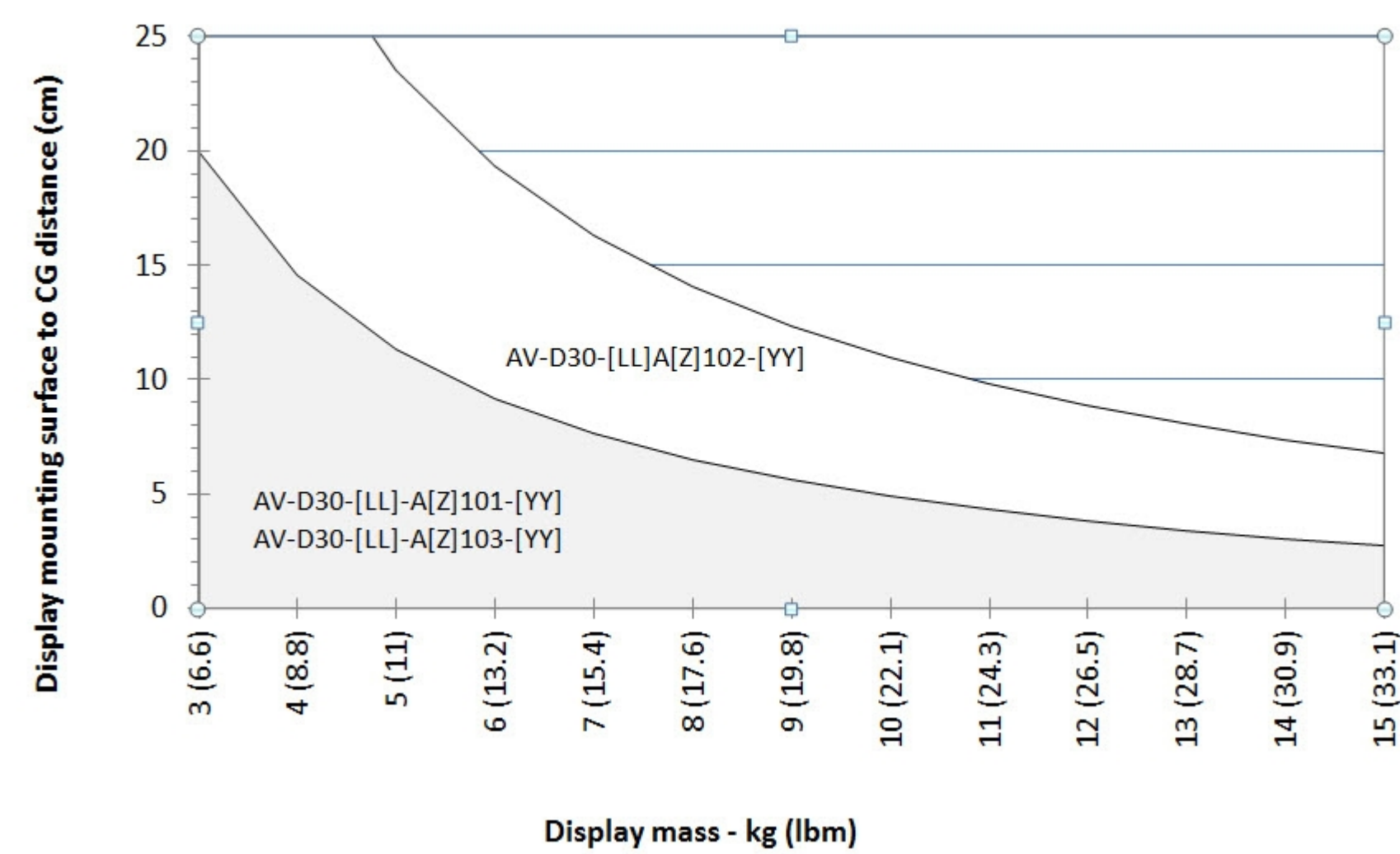


AV-D30-LLAZ10X-YY

- LENGTH**
- 15 = 150
 - 20 = 200
 - 25 = 250
 - 30 = 300
 - 35 = 350
 - 40 = 400
 - 45 = 450
- FINISH**
- 50 BLACK
 - 76 OFFICE WHITE
- MODEL**
- 1 = ROUND SPRING
 - 2 = SQUARE SPRING
 - 3 = NO SPRING

- ROTATION LOCK**
- C = LH
 - R = RH

AV-D30 A[Z]-Series Model Selection Guide

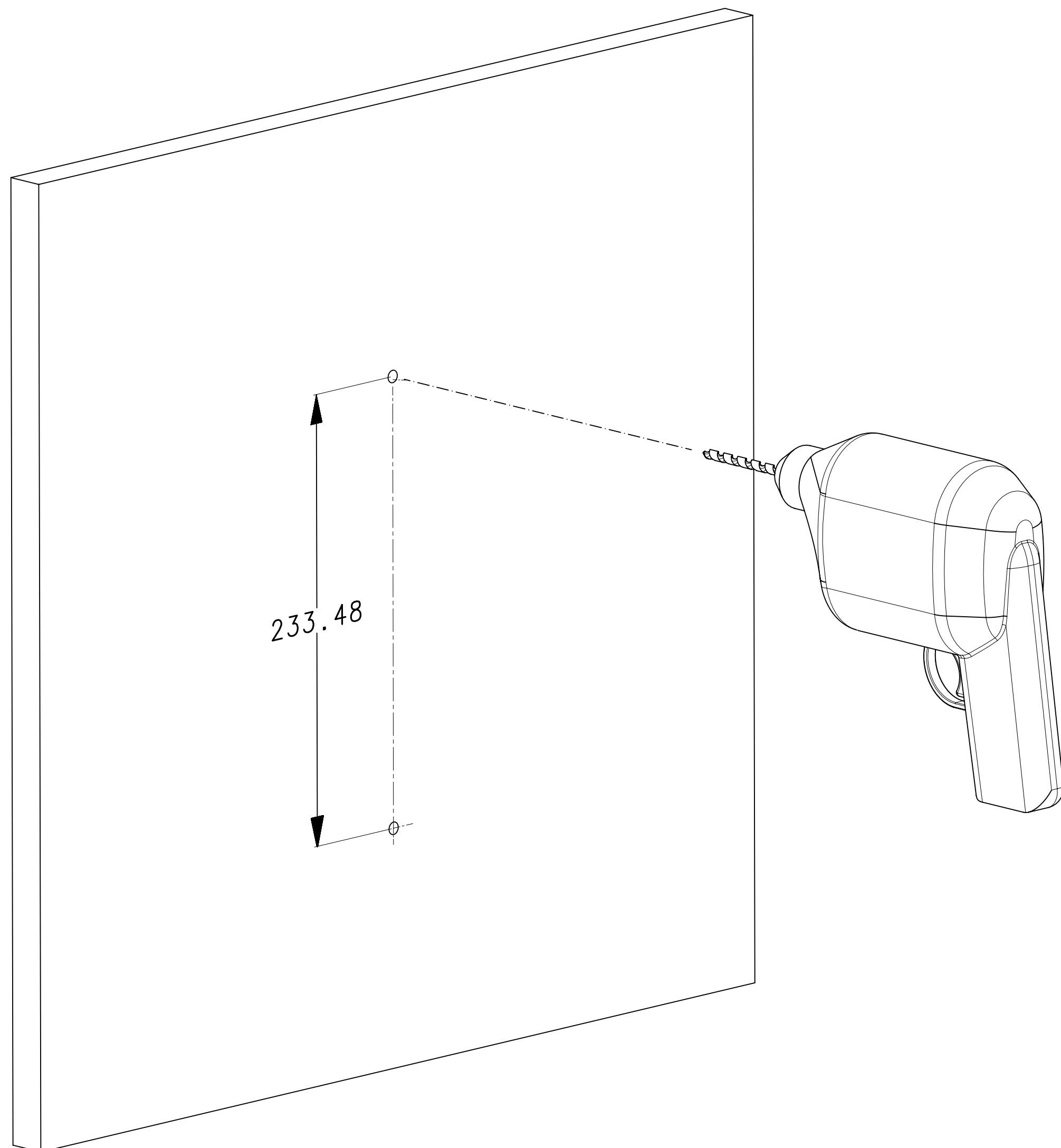


PART NUMBER	REARWARD TILT TORQUE N*m (lbf*in) +/-15%	FORWARD TILT TORQUE N*m (lbf*in) +/-15%	SWIVEL SYMMETRIC TORQUE N*m (lbf*in) +30%/-15%	FORCE TO MOVE ARM ASSEMBLY N (lbf) +/-15%
AV-D30-LLAZ101-YY	7.90 (70)	1.13 (10)	2.26 (20)	22.2 (5)
AV-D30-LLAZ102-YY	15.36 (136)	2.26 (20)	3.39 (30)	33.8 (7.6)
AV-D30-LLAZ103-YY	8.58 (76)	6.01 (53.2)	3.39 (30)	33.8 (7.6)



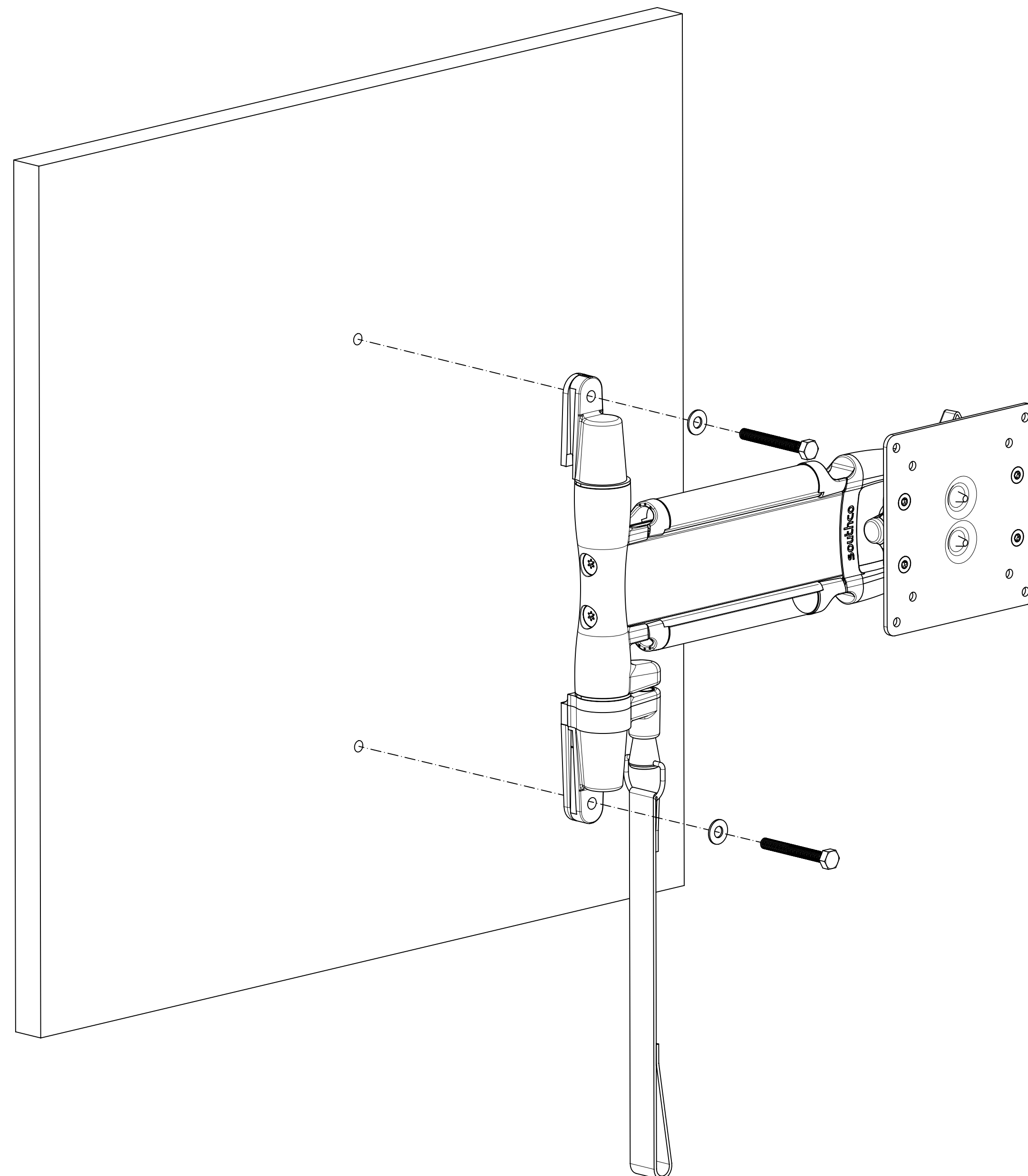
THIRD ANGLE PROJECTION			
MILLIMETERS [IN]			
SURFACE AREA		TOLERANCES UNLESS OTHERWISE NOTED	
VOLUME		ALL DIMENSIONS WITHOUT TOLERANCES ARE FOR REFERENCE ONLY.	
PROPRIETARY ITEM EXCEPT FOR USES EXPRESSLY GRANTED IN WRITING. INFORMATION DISCLOSED HEREON IS CONFIDENTIAL AND ALL RIGHTS, INCLUDING PATENT RIGHTS, ARE RESERVED BY SOUTHCO, INC.		SIZE D	SYSTEM NX
PER ASME Y14.5M-1994		DWG NO. J-AV-D30-LLAC10X	DATE 11NOV2013
		DRAWN BY ACH/MSM	SCALE 0.75:1
		SHEET 1 OF 5	

REVISION HISTORY			
REV	DATE	BY	DESCRIPTION
D	23AUG2016	IR/MJS	PRN: P2016-1941



STEP 1

1. DETERMINE DESIRED MOUNTING LOCATION. PLEASE CONSIDER ALL OBSTACLES THROUGHOUT THE ARMS RANGE OF MOTION WHEN SELECTING THE MOUNTING LOCATION.
2. MARK UPPER AND LOWER MOUNTING HOLES. FOR IDEAL HOLE LOCATION, MARK UPPER HOLE FIRST THEN USE A PLUMB LINE OR LINE LEVEL TO ENSURE VERTICAL ORIENTATION BETWEEN THE UPPER AND LOWER HOLES.



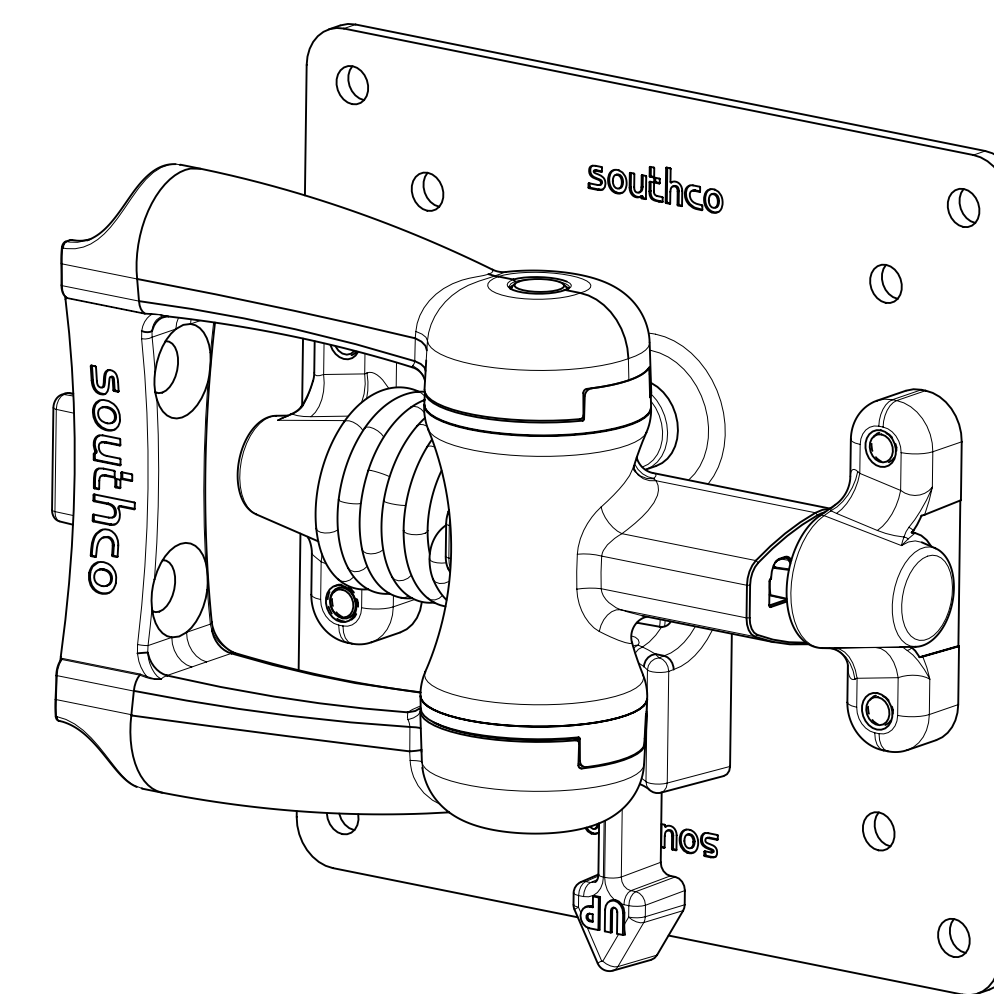
STEP 2

3. INSTALL ARM ONTO THE WALL OR PANEL.
 - A. FOR THRU-BOLT INSTALLATION, DRILL OR PUNCH HOLES AND INSTALL USING 1/4-20 OR M6 MOUNTING HARDWARE (NOT PROVIDED) AND FLAT WASHERS (NOT PROVIDED).
 - B. FOR 1/4 INCH LAG SCREW INSTALLATION IN WOOD STUDS, DRILL A 3/16 INCH PILOT HOLE, THEN INSTALL USING A 1/4 INCH LAG SCREW AND FLAT WASHER. DO NOT OVER TIGHTEN.

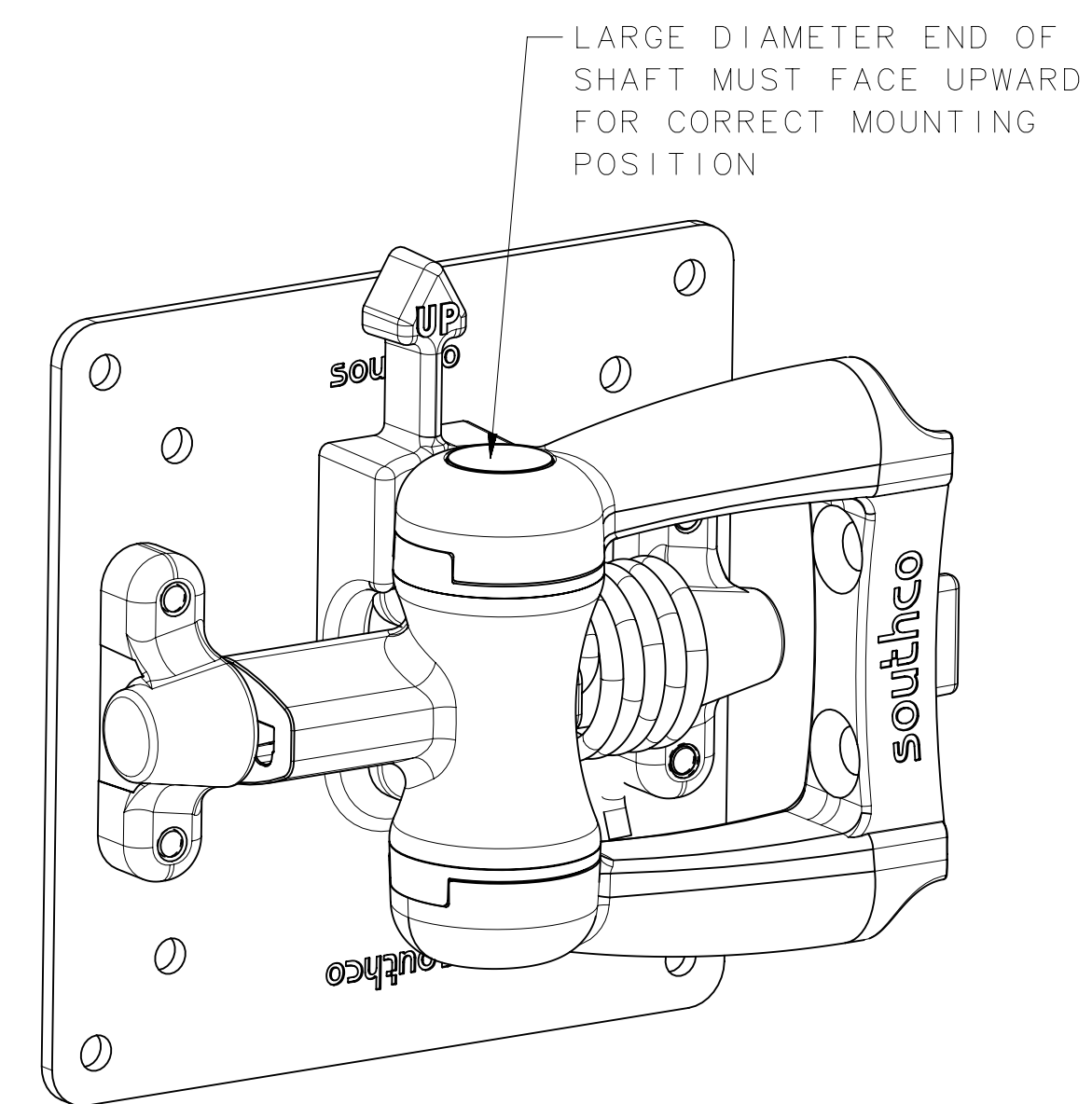
NOTE: BECAUSE OF THE WIDE VARIETY OF AVAILABLE WALL MATERIALS, IT IS THE INSTALLER'S RESPONSIBILITY TO ENSURE THAT THE MATERIALS AND STRUCTURE TO WHICH THE ARM IS MOUNTED, AND THE HARDWARE SELECTED, WILL PROVIDE ADEQUATE SUPPORT.

C. NOTE: FOR PROPER FUNCTION, THE ARM MUST BE INSTALLED WITH THE LARGE DIAMETER SIDE OF THE MONITOR PIVOT PIN FACING UP.

INCORRECT MOUNTING

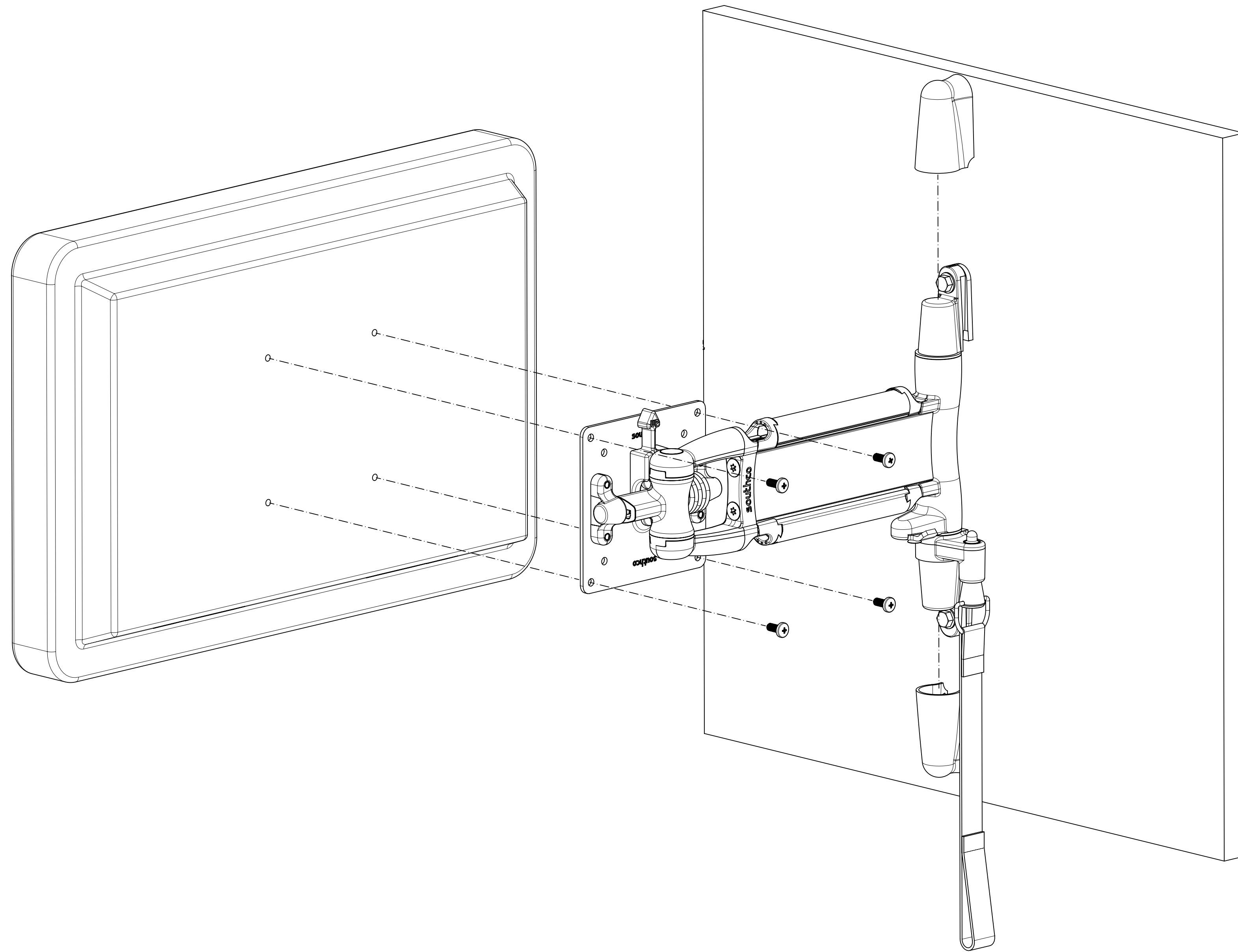


CORRECT MOUNTING



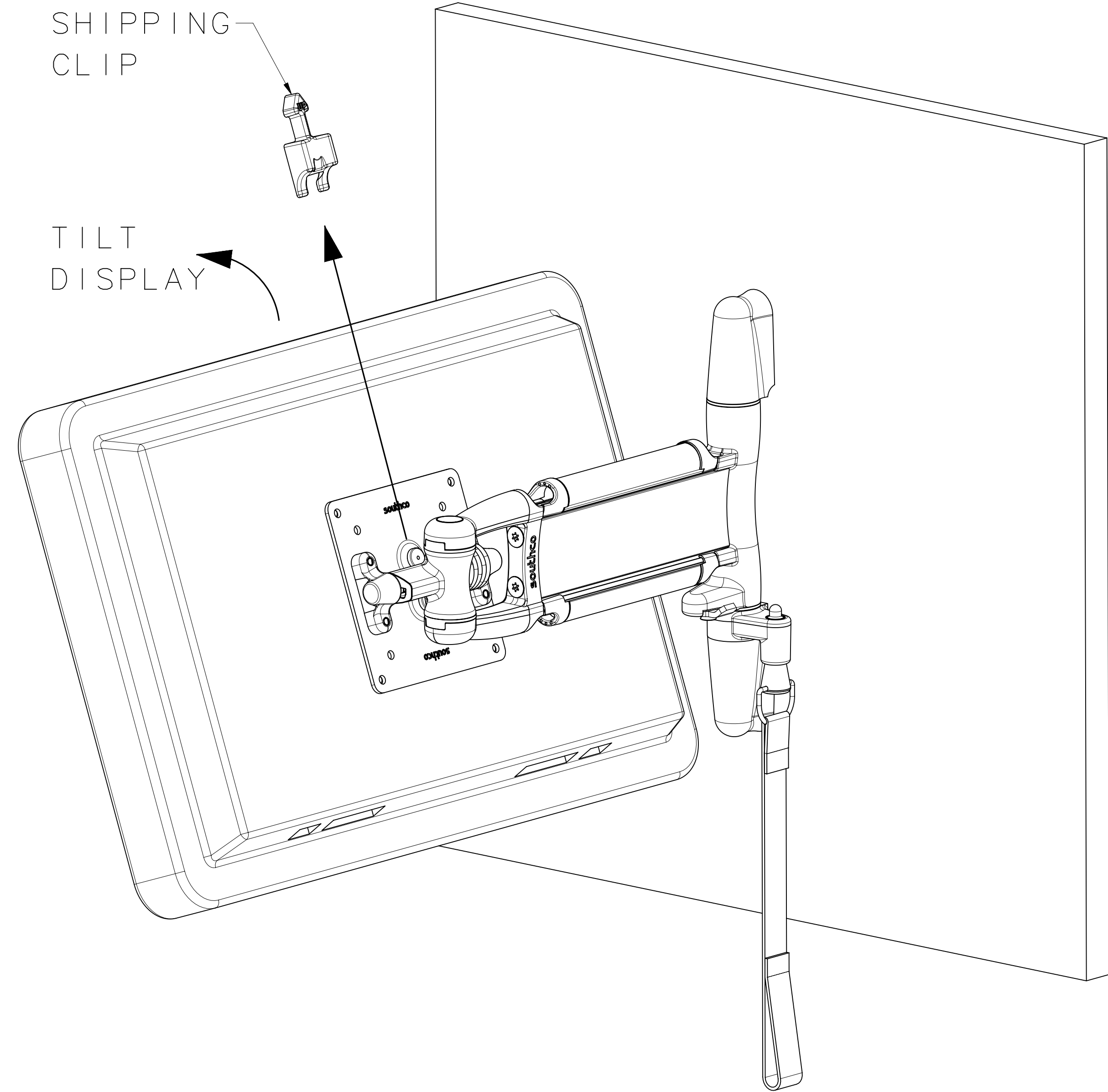
THIRD ANGLE PROJECTION		southco CONNECT · CREATE · INNOVATE
MILLIMETERS [IN]		
TOLERANCES UNLESS OTHERWISE NOTED		DESCRIPTION Hinge & Controlled Motion Device ARM ASSEMBLY
ALL DIMENSIONS WITHOUT TOLERANCES ARE FOR REFERENCE ONLY.		SIZE SYSTEM D NX DWG NO. J-AV-D30-LLAC10X
PROPRIETARY ITEM EXCEPT FOR USES EXPRESSLY GRANTED IN WRITING. INFORMATION DISCLOSED HEREON IS CONFIDENTIAL AND ALL RIGHTS, PATENT AND OTHERWISE, ARE RESERVED BY SOUTHCO, INC.	PER ASME Y14.5M-1994	DRAWN BY ACH/MSM DATE 11NOV2013 SCALE 1:1 SHEET 2 OF 5

REVISION HISTORY			
REV	DATE	BY	DESCRIPTION
D	23AUG2016	IR/MJS	PRN: P2016-1941



STEP 3

1. SLIDE ON WALL MOUNTING HARDWARE COVERS AND ATTACH MONITOR TO MOUNTING PLATE USING 4 EACH DISPLAY MANUFACTURER'S RECOMMENDED HARDWARE (NOT PROVIDED), AS SHOWN.

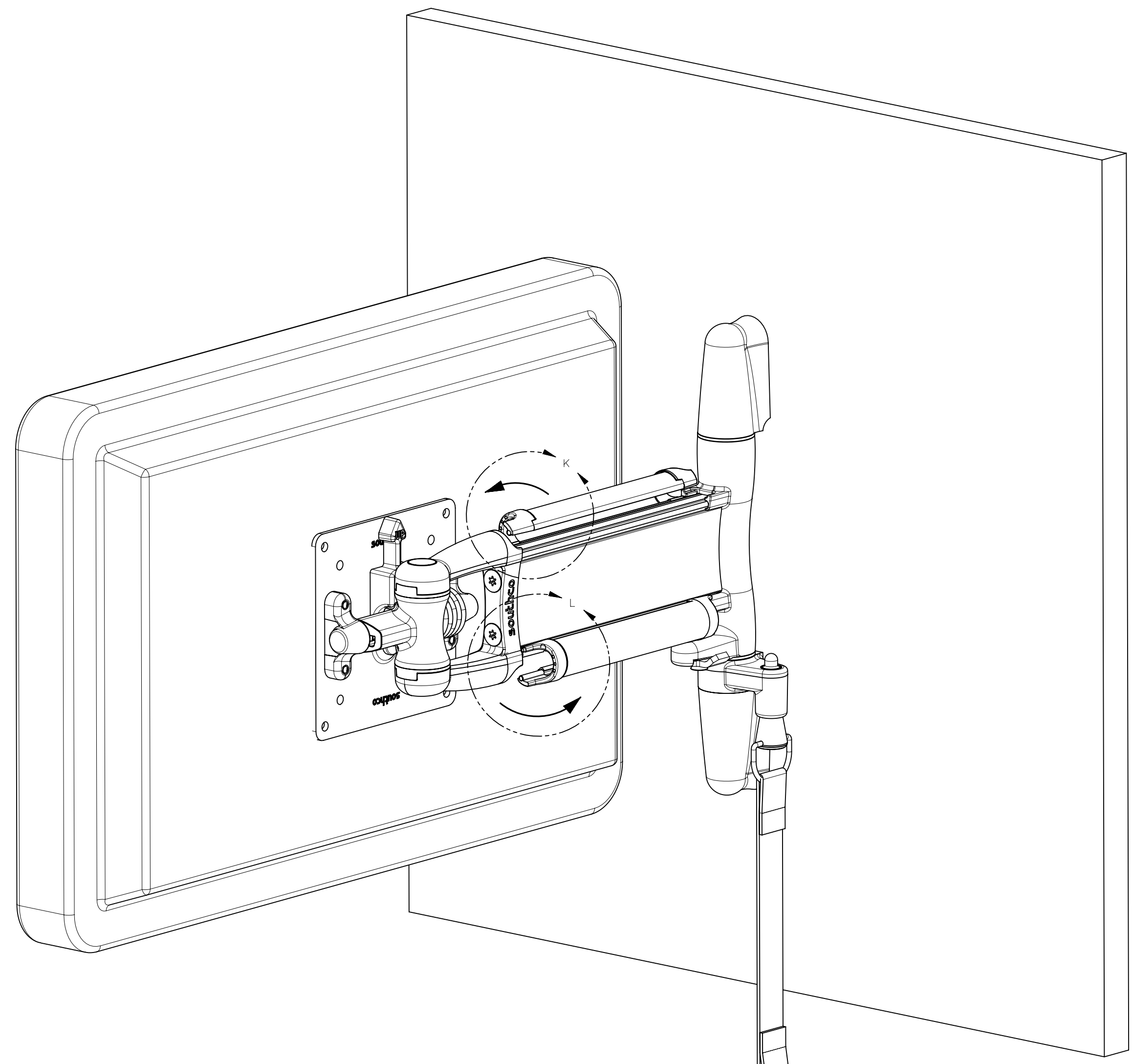


STEP 4

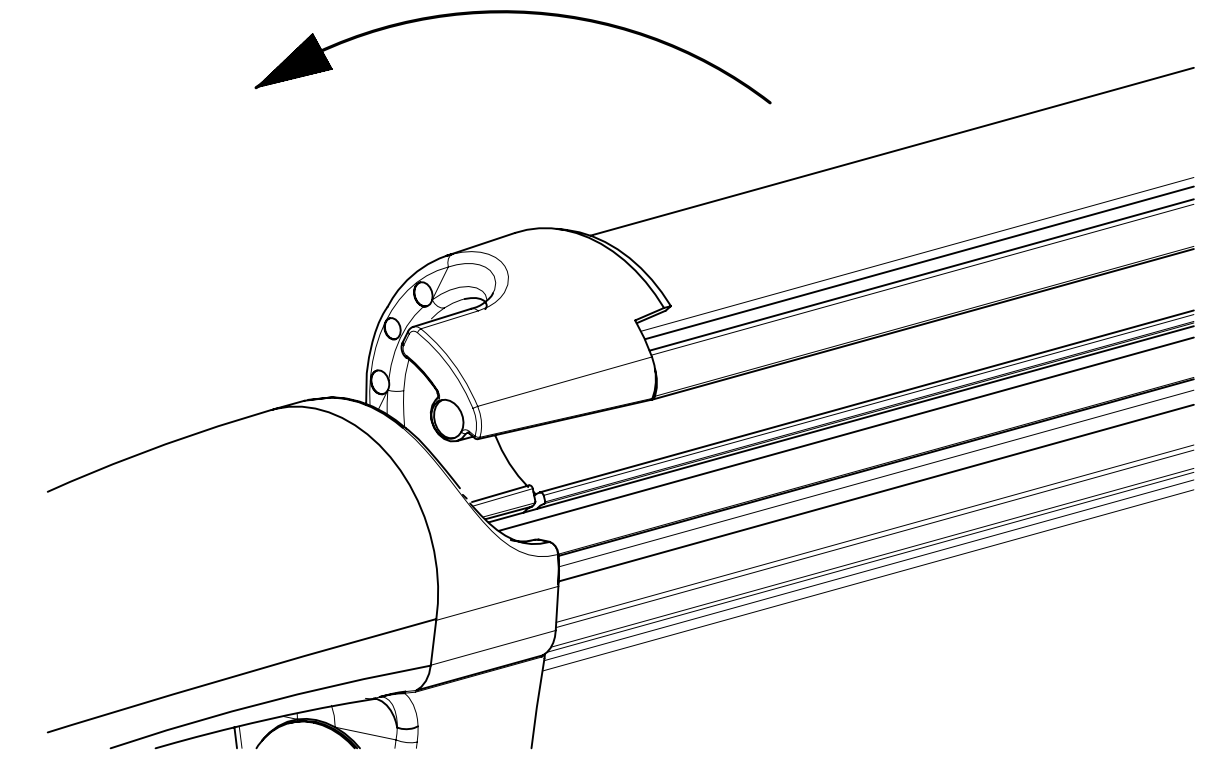
1. TILT DISPLAY FORWARD. REMOVE AND DISCARD SHIPPING CLIP.

THIRD ANGLE PROJECTION		 CONNECT · CREATE · INNOVATE	
MILLIMETERS [IN]			
TOLERANCES UNLESS OTHERWISE NOTED		DESCRIPTION Hinge & Controlled Motion Device ARM ASSEMBLY	
ALL DIMENSIONS WITHOUT TOLERANCES ARE FOR REFERENCE ONLY.		SIZE D	SYSTEM NX
<small>PROPRIETARY ITEM EXCEPT FOR USES EXPRESSLY GRANTED IN WRITING, INFORMATION DISCLOSED HEREIN IS CONFIDENTIAL AND ALL RIGHTS, PATENT AND OTHER INTELLECTUAL PROPERTY RIGHTS ARE RESERVED BY SOUTHCO, INC.</small>		DWG NO. J-AV-D30-LLAC10X	SCALE 1:2
PER ASME Y14.5M-1994		DRAWN BY ACH/MSM	DATE 11NOV2013
		SHEET 3 OF 5	

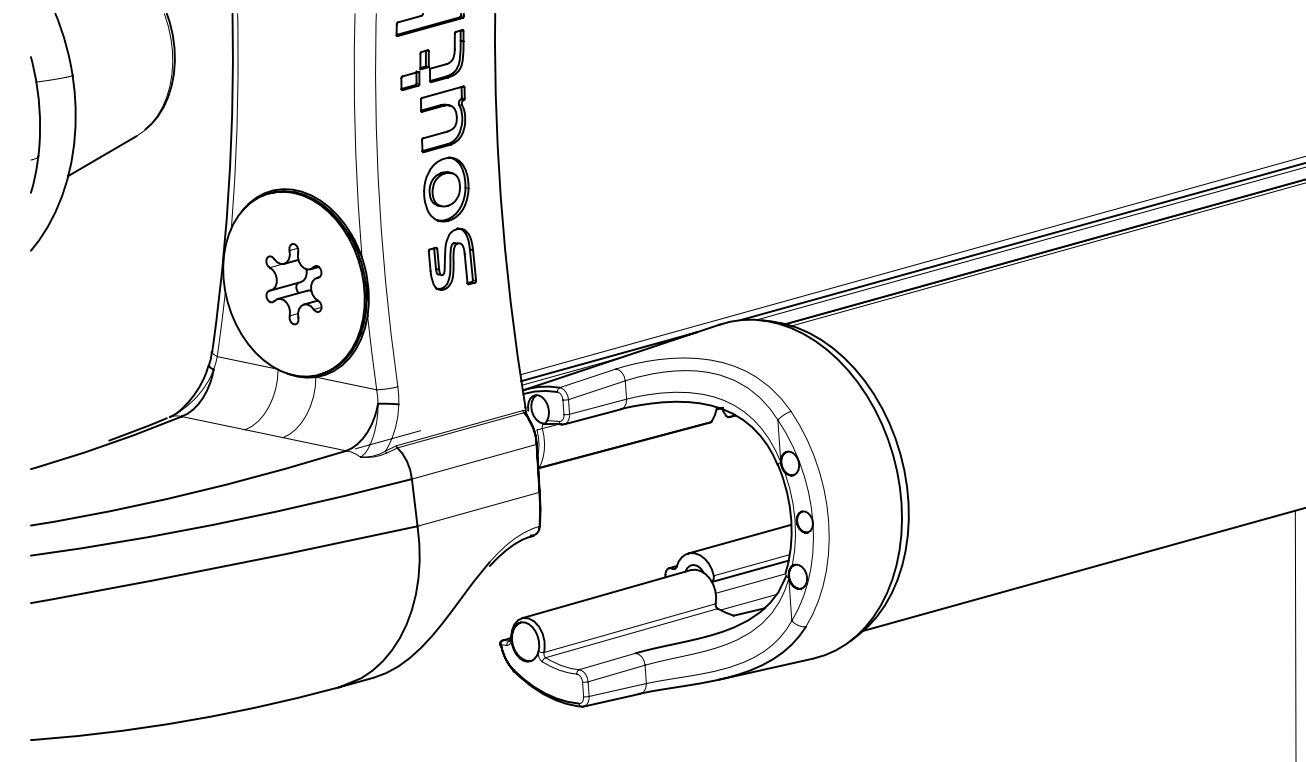
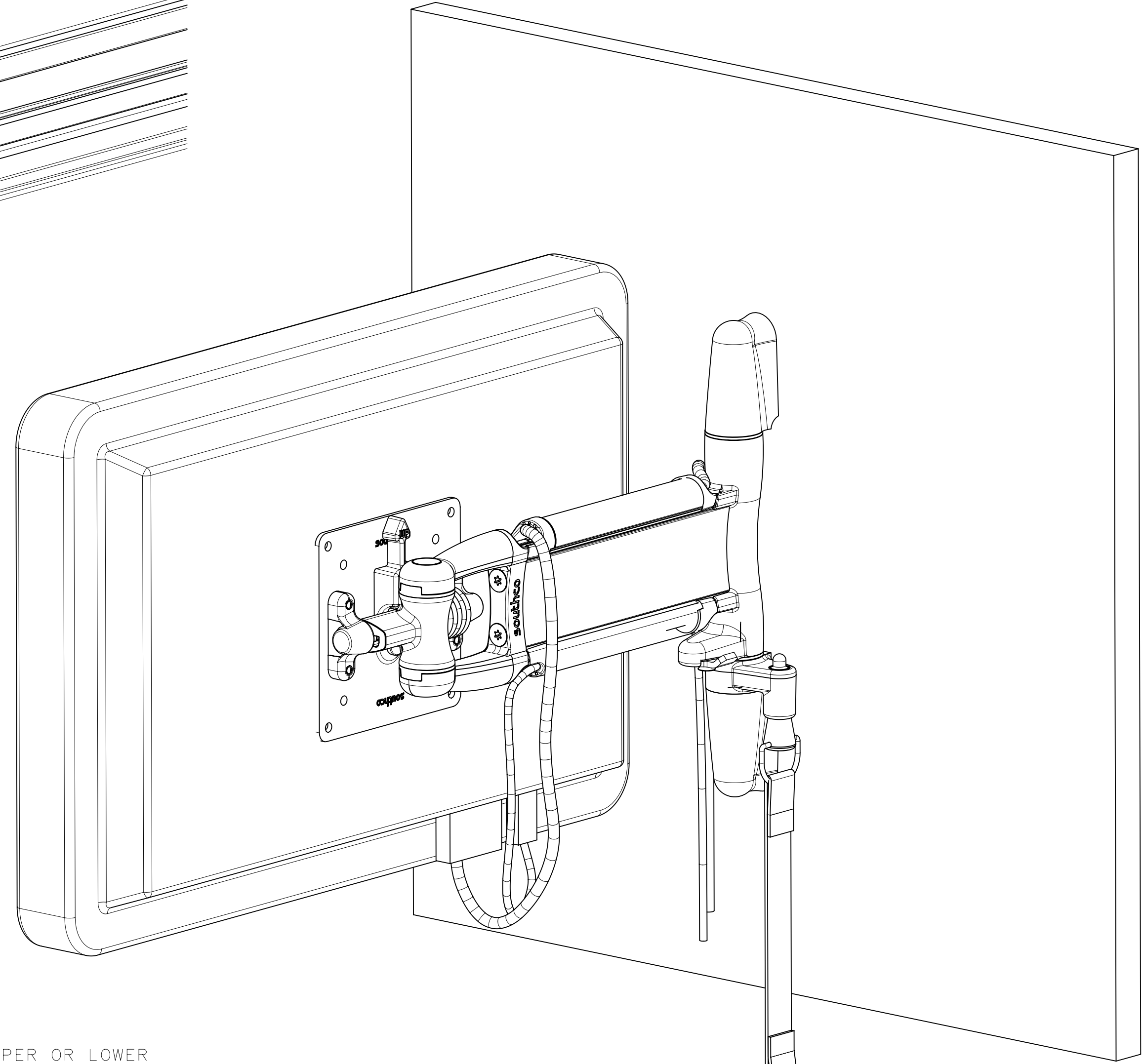
REVISION HISTORY			
REV	DATE	BY	DESCRIPTION
D	23AUG2016	IR/MJS	PRN: P2016-1941



OPEN COVER IN
DIRECTION OF ARROW



SCALE 2:1
DETAIL K



OPEN COVER IN
DIRECTION OF ARROW

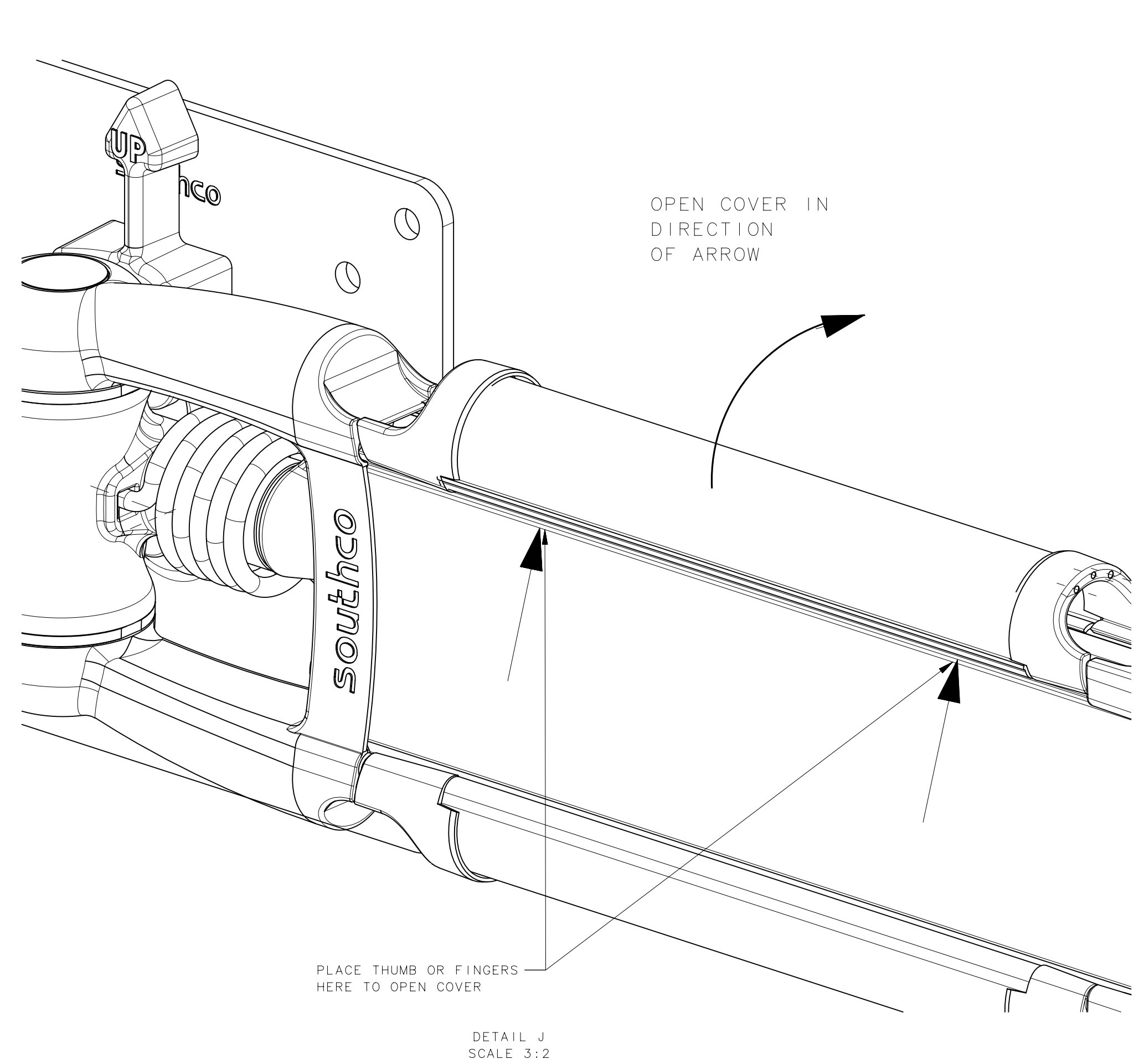
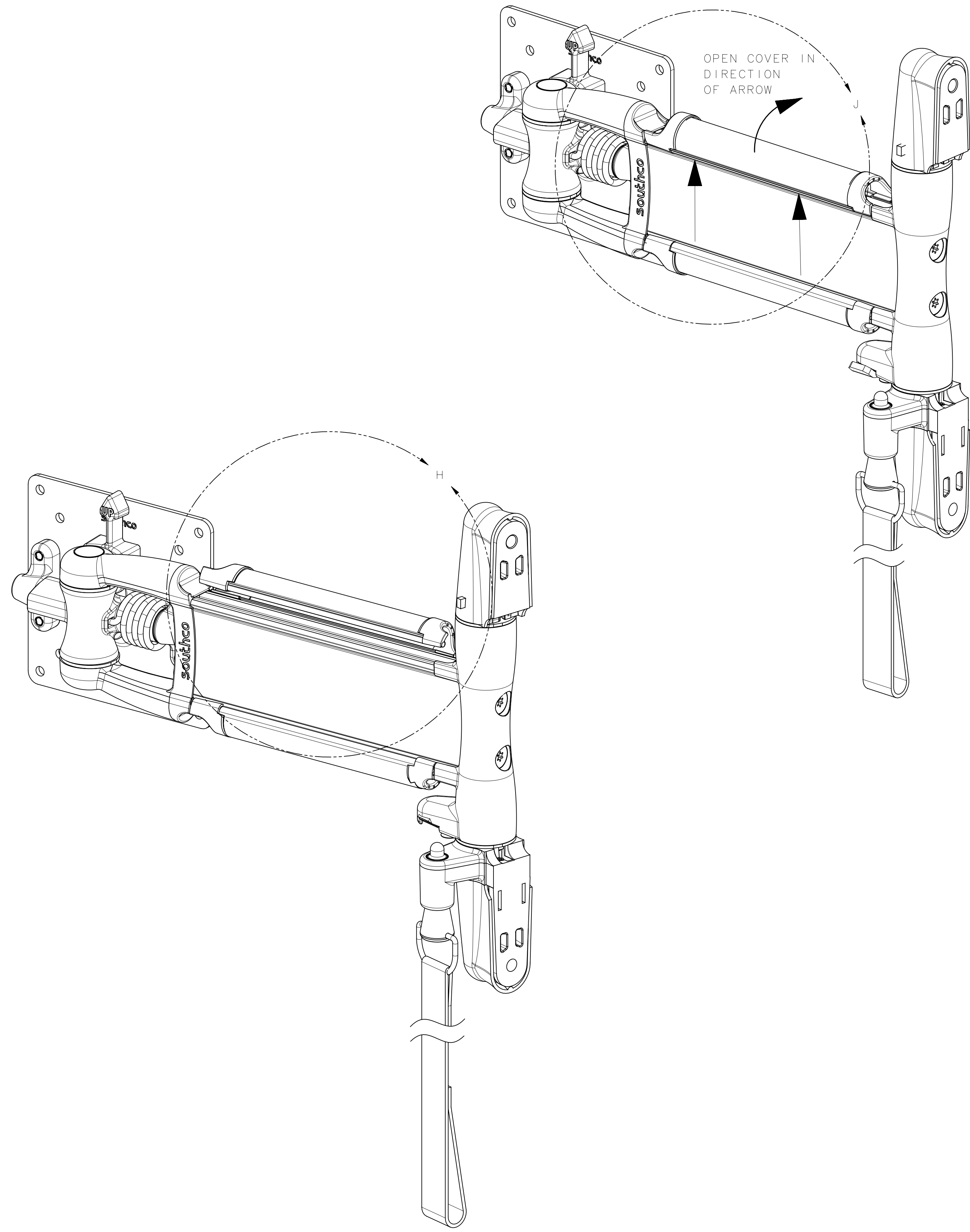
DETAIL L
SCALE 2:1

STEP 5

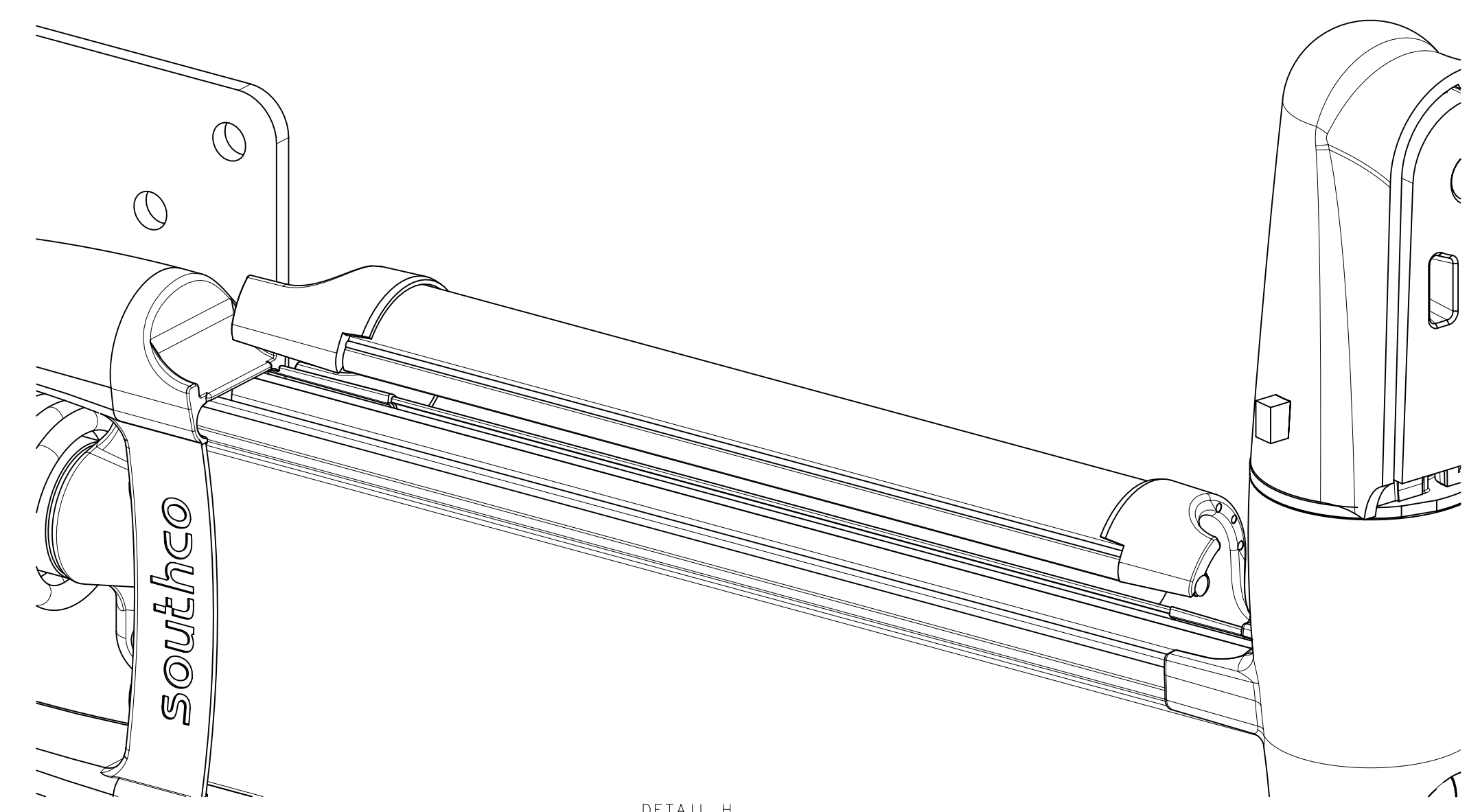
1. SNAP OPEN HINGED COVERS TO ROUTE WIRES THROUGH UPPER OR LOWER CHANNELS TO SUIT INSTALLATION AND DISPLAY WIRING LOCATIONS.
- NOTE: TO OPEN COVERS, PLACE THUMBS ON RIB ADJACENT AND PUSH AWAY FROM CENTER ARM SUPPORT TO RELEASE COVER SNAP FIT.
2. CLOSE COVERS UNTIL LATCHED TO SECURE WIRES.

THIRD ANGLE PROJECTION				southco CONNECT • CREATE • INNOVATE	
MILLIMETERS [IN]					
TOLERANCES UNLESS OTHERWISE NOTED		DESCRIPTION		Hinge & Controlled Motion Device ARM ASSEMBLY	
ALL DIMENSIONS WITHOUT TOLERANCES ARE FOR REFERENCE ONLY.		SIZE	SYSTEM	DWG NO.	J-AV-D30-LLAC10X
<small>PROPRIETARY ITEM EXCEPT FOR USES EXPRESSLY GRANTED IN WRITING, INFORMATION DISCLOSED HEREON IS CONFIDENTIAL AND ALL RIGHTS, PATENTS AND OTHERS, ARE RESERVED BY SOUTHCO, INC.</small>		D	NX	ACH/MSM	DATE 11NOV2013
PER ASME Y14.5M-1994		SCALE	1:2	SHEET 4 OF 5	

REVISION HISTORY			
REV	DATE	BY	DESCRIPTION
D	23AUG2016	IR/MJS	PRN: P2016-1941



DETAIL J
SCALE 3:2



DETAIL H
SCALE 3:2

	THIRD ANGLE PROJECTION		southco [®] CONNECT · CREATE · INNOVATE
	MILLIMETERS [IN]		
SURFACE AREA	TOLERANCES UNLESS OTHERWISE NOTED		DESCRIPTION
VOLUME	ALL DIMENSIONS WITHOUT TOLERANCES ARE FOR REFERENCE ONLY.		Hinge & Controlled Motion Device ARM ASSEMBLY
PROPRIETARY ITEM	PER ASME Y14.5M-1994	SIZE D	SYSTEM NX
EXCEPT FOR USES EXPRESSLY GRANTED IN WRITING, INFORMATION DISCLOSED HEREON IS CONFIDENTIAL AND ALL RIGHTS, PATENT AND OTHERWISE, ARE RESERVED BY SOUTHCO, INC.		DWG NO. J-AV-D30-LLAC10X	
		DRAWN BY ACH/MSM	DATE 11NOV2013 SCALE 0.75:1 SHEET 5 OF 5