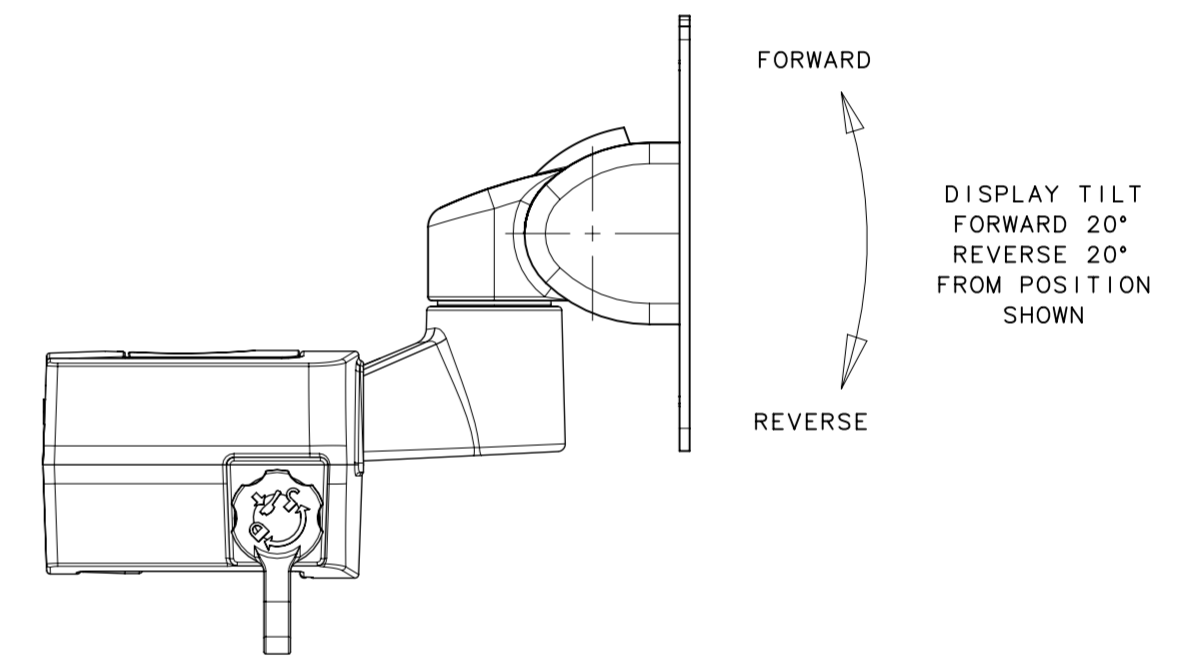
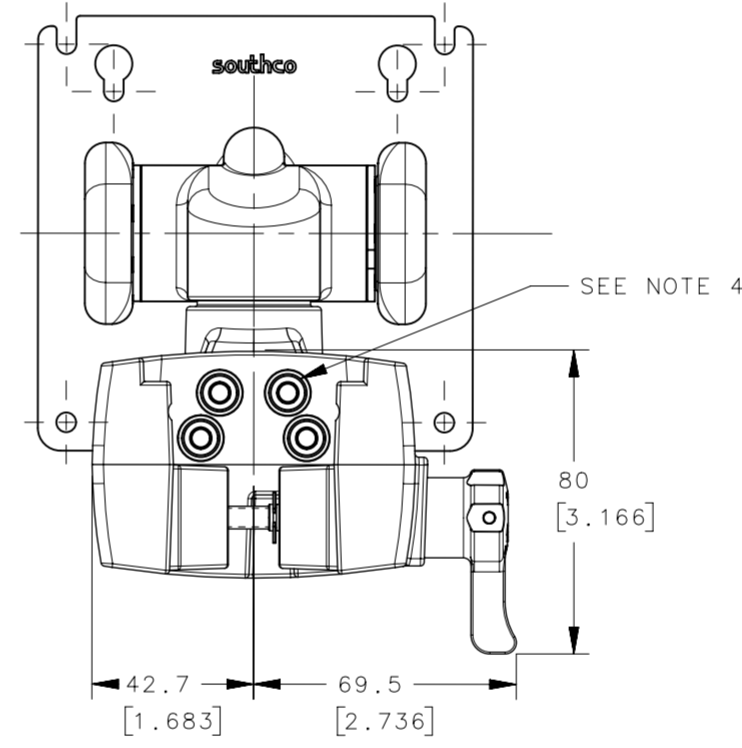
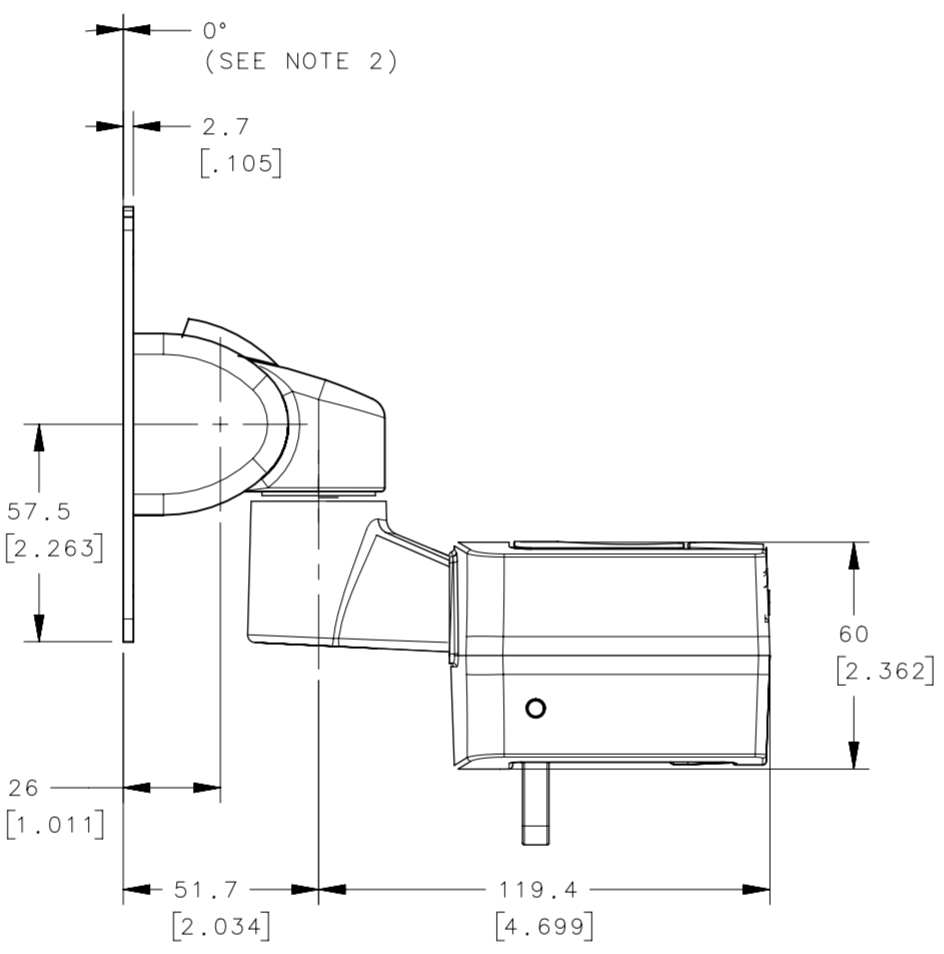
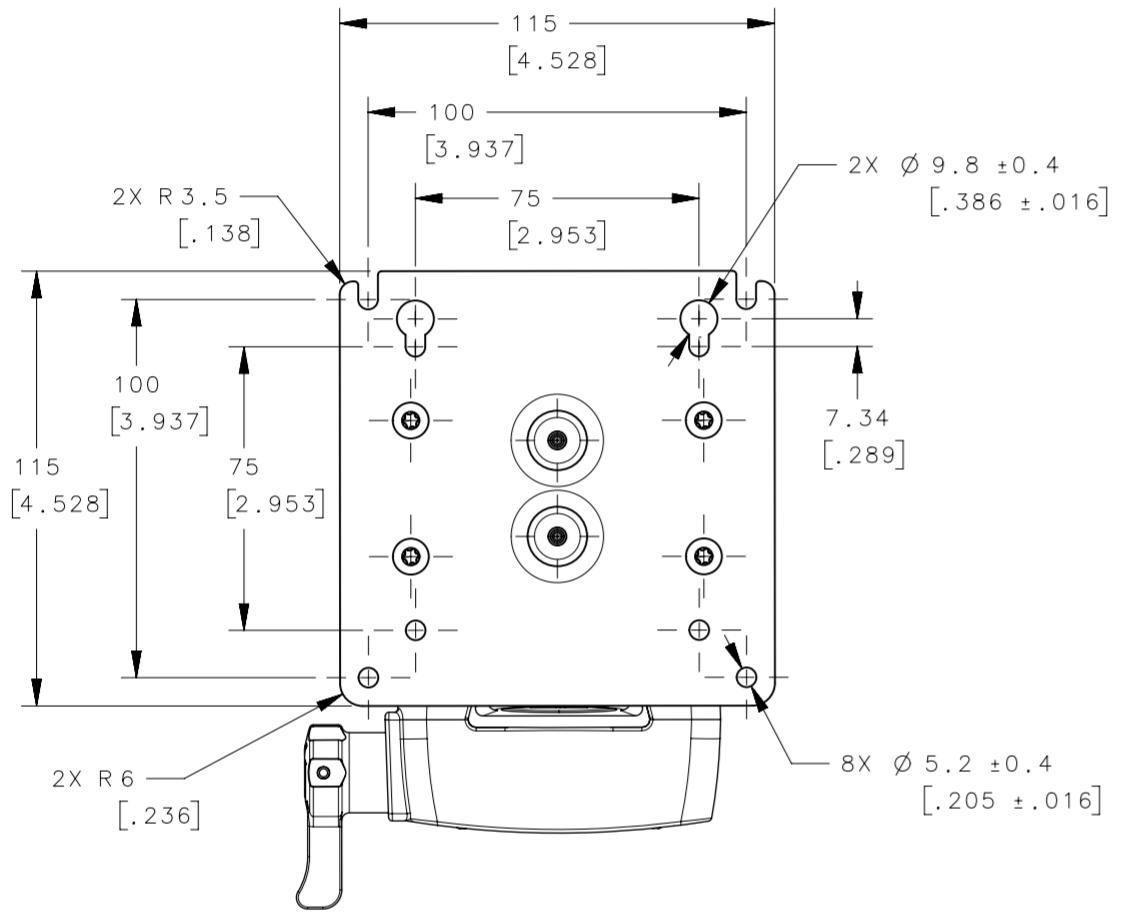
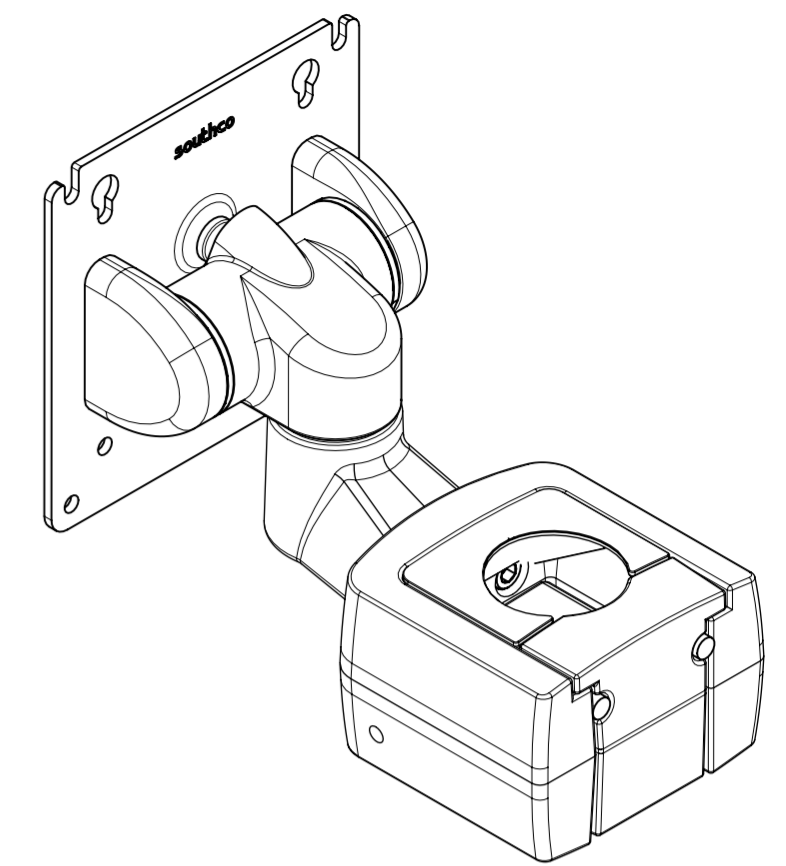
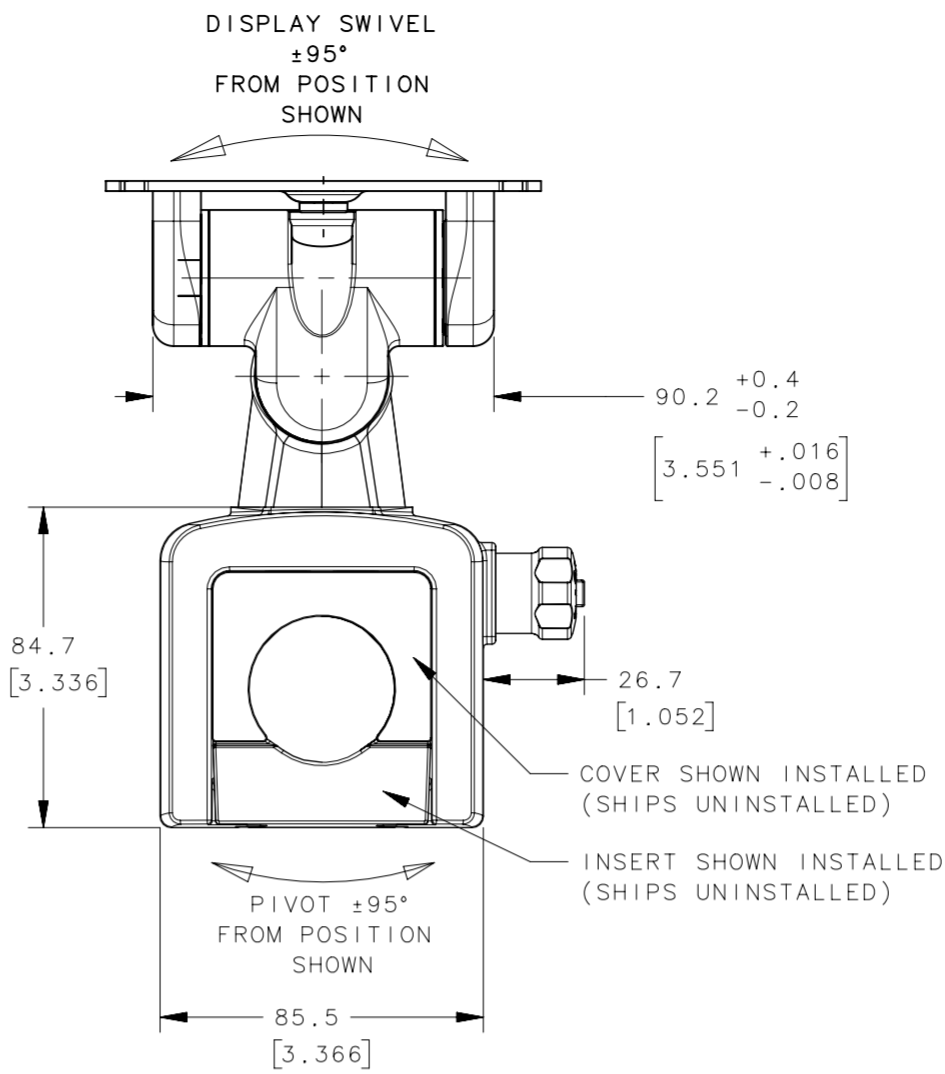


REVISION HISTORY			
REV	DATE	BY	DESCRIPTION
B	22MAY2020	GEA/DMS	PRN: P2020-0958



NOTES:

- ALL EXTERIOR SURFACES CLASS C PER SOUTHCO FINISH SPECIFICATION S-121. ALL INTERIOR SURFACES CLASS D PER SOUTHCO FINISH SPECIFICATION S-121.
- TILT TORQUE MEASURED WITH VESA DISPLAY PLATE IN THE VERTICAL (0°±5°) POSITION WHEN TILTING IN THE REVERSE DIRECTION. NOTE: THE TILT TORQUE VARIES WITH THE COUNTERBALANCE (WHEN EQUIPPED) IN THE FORWARD AND REVERSE DIRECTIONS.
- DISPLAY MOUNTING PLATE TO HOUSING ANGULAR FREE PLAY TO BE 1.5° MAXIMUM.
- SCREWS AFFIXING HOUSING MOUNT TO MOUNTING PLATE ARE NOT TO BE REMOVED. IF REMOVED OR LOOSENED, REPLACE USING NEW M6-1.0x0.25, CLASS 12.9, HIGH TENSILE CAP HEAD SCREWS AND PLAIN WASHERS AND TIGHTEN TO 14-16 Nm.
- MATERIALS AND FINISHES:

ADAPTERS: DIE CAST ALUMINUM ANODIZED AND POWDER COATED
 TILT HOUSING, SWIVEL HOUSING: DIE CAST ALUMINUM, POWDER COATED
 TILT SLEEVE AND THRUST WASHER: ACETAL, BLACK
 COILED PIN: STEEL, PHOSPHATE COATED
 TILT SHAFT, TORQUE ELEMENTS AND STOP WASHER: STEEL, NATURAL FINISH
 DISPLAY MOUNTING PLATE: PHOSPHATE AND POWDER COATED
 TORSION SPRING: CARBON STEEL, NICKEL PLATED
 DISPLAY SCREWS: STEEL, BLACK OXIDE
 DISPLAY STOPS: POLYETHYLENE, WHITE
 SWIVEL SHAFT: STAINLESS STEEL AND NYLON
 LUBRICANT: HYDROCARBON BASE
 M6X1.0 CAP SCREWS: ALLOY STEEL, BLACK OXIDE
 M6 FLAT WASHERS: STEEL, ZINC PLATED
 LABEL: VINYL WITH POLESTER ADHESIVE
 POLE MOUNT: DIE CAST ALUMINUM ANODIZED AND POWDER COATED
 POLE MOUNT INSERT: DIE CAST ALUMINUM ANODIZED AND POWDER COATED, ROD: EPDM, BLACK
 POLE MOUNT COVER: NYLON, BLACK OR OFFICE WHITE

PART NUMBER	REVERSE TILT TORQUE N*m (lbf*in)	FORWARD TILT TORQUE N*m (lbf*in)	SWIVEL SYMMETRIC TORQUE	COLOR
AV-D32-10K161-50	7.9 (70)	1.13 (10)	4.29 N*m (38 lbf*in)	BLACK
AV-D32-10K161-76				OFFICE WHITE
AV-D32-10K162-50	15.4 (136)	2.26 (20)	NOMINAL / 2.17 N*m (24 lbf*in) MINIMUM	BLACK
AV-D32-10K162-76				OFFICE WHITE
AV-D32-10K163-50	8.6 (76)	6.0 (53)		BLACK
AV-D32-10K163-76				OFFICE WHITE

THIRD ANGLE PROJECTION	 CONNECT · CREATE · INNOVATE
MILLIMETERS [IN]	
SURFACE AREA	TOLERANCES UNLESS OTHERWISE NOTED
VOLUME	ALL DIMENSIONS WITHOUT TOLERANCES ARE FOR REFERENCE ONLY.
PROPRIETARY ITEM	EXCEPT FOR USES EXPRESSLY GRANTED IN WRITING, INFORMATION DISCLOSED HEREON IS CONFIDENTIAL AND ALL RIGHTS, PATENT AND OTHERWISE, ARE RESERVED BY SOUTHCO, INC.
DESCRIPTION	TILT & SWIVEL DISPLAY MOUNT POLE MOUNT
SIZE	A2
SYSTEM	NX
DWG NO.	J-AV-D32-10K161
DRAWN BY	DMS/GEA
DATE	20APR2018
SCALE	1:2
SHEET	1 OF 2

8

7

6

5

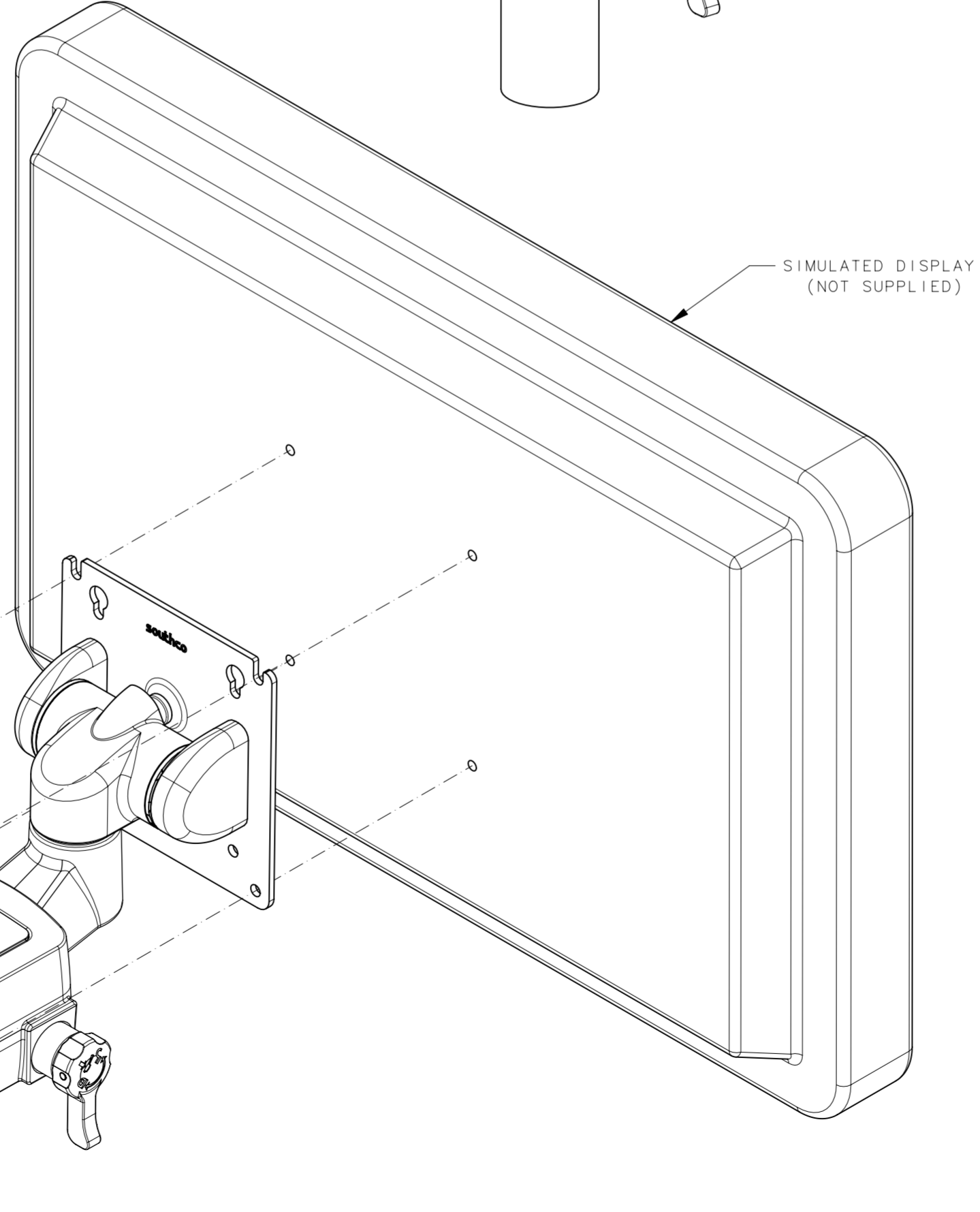
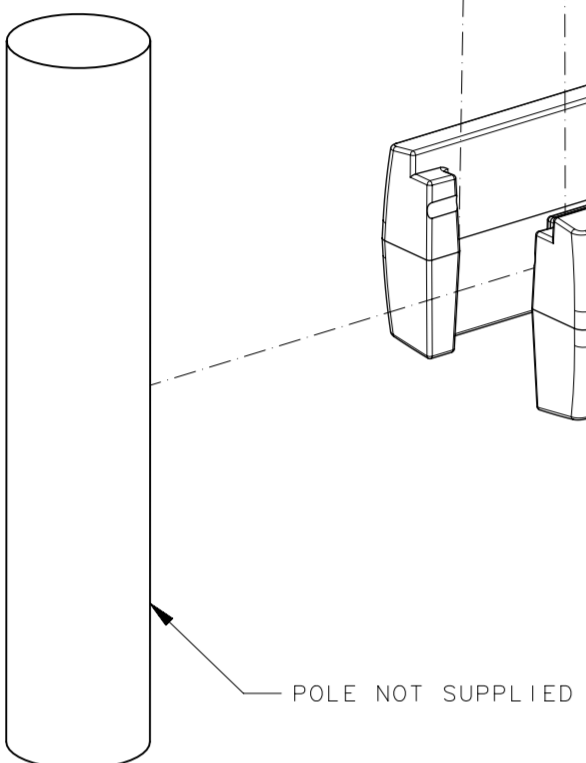
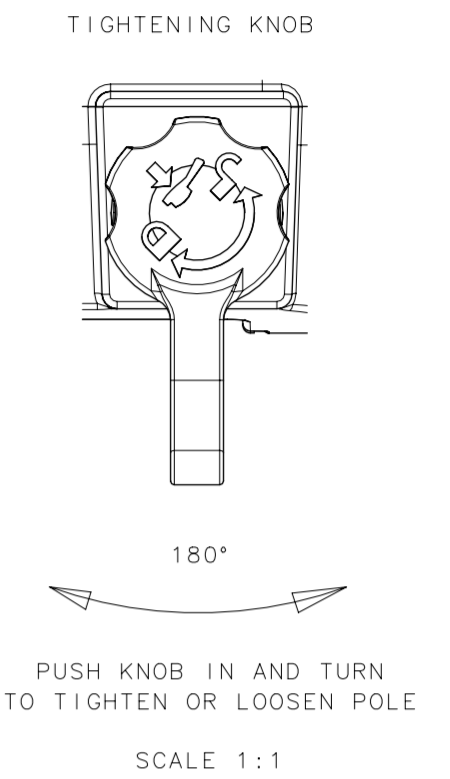
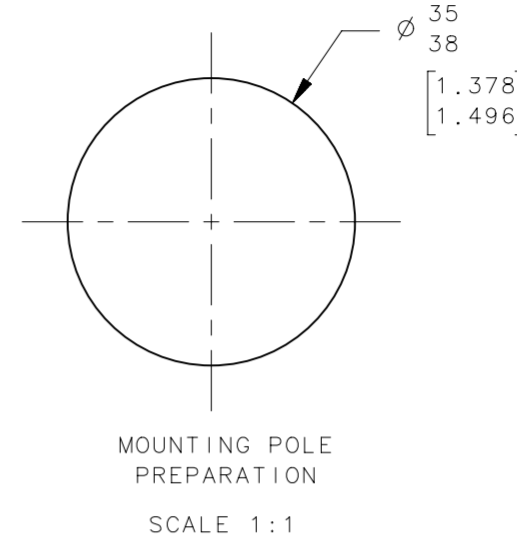
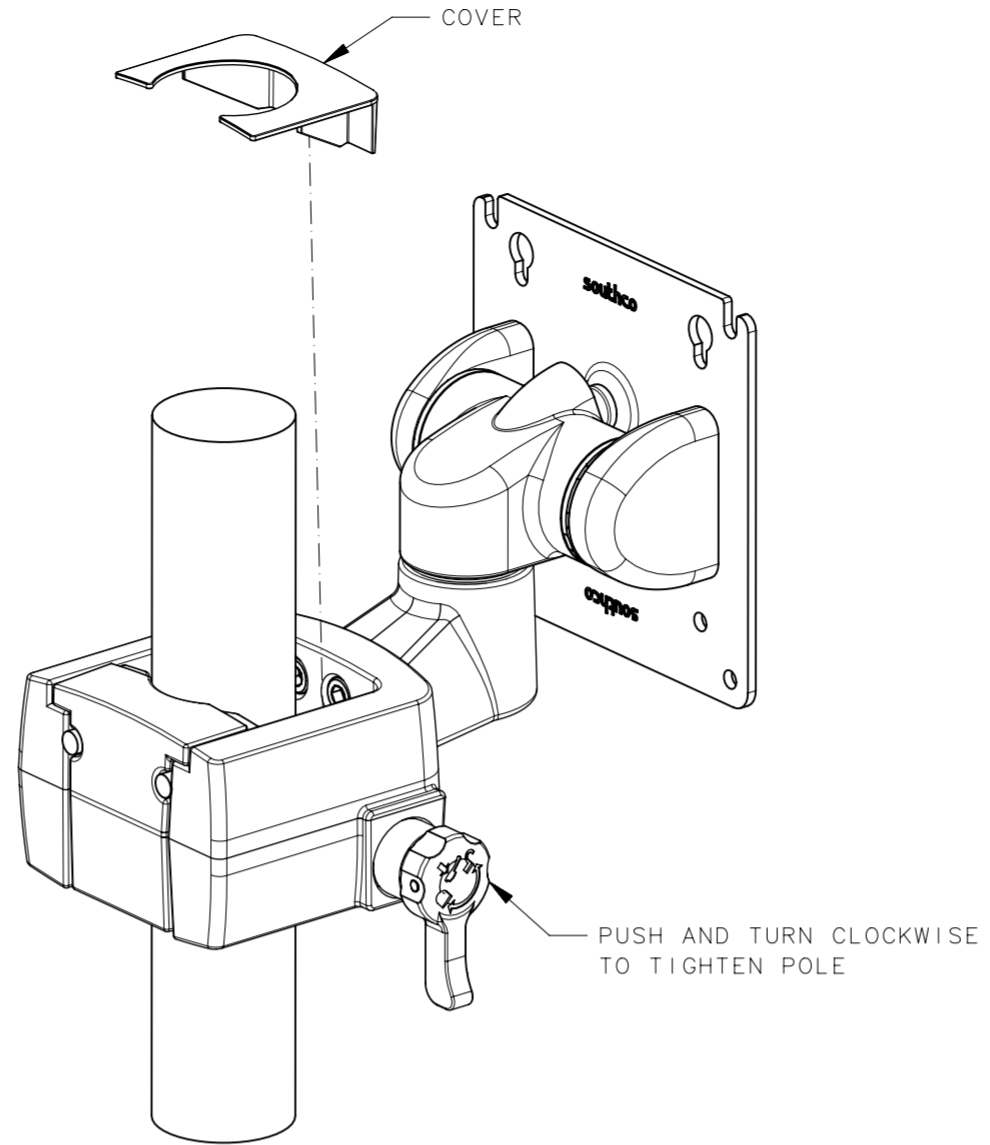
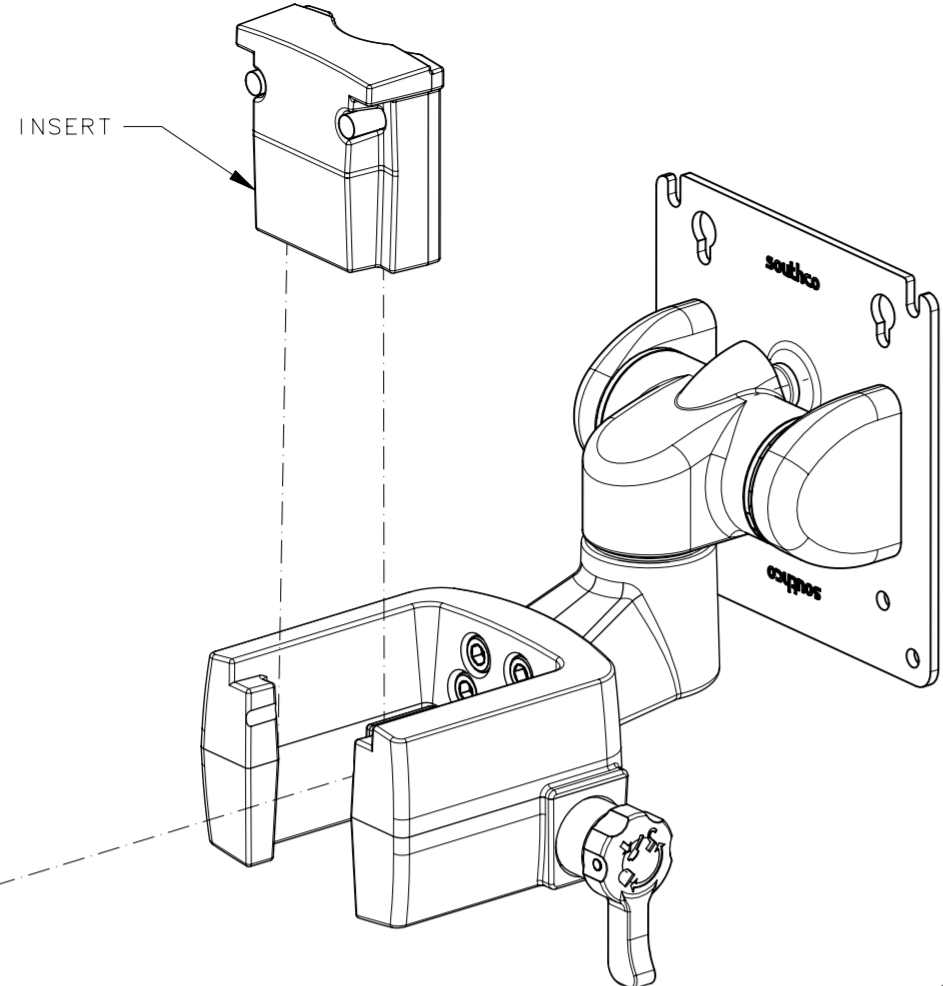
4

3

2

1

REVISION HISTORY			
REV	DATE	BY	DESCRIPTION
B	22MAY2020	GEA/DMS	PRN: P2020-0958



- INSTALLATION INSTRUCTIONS:
1. INSERT POLE INTO MOUNT.
 2. DROP INSERT BEHIND POLE TO LOCK POLE IN MOUNT.
 3. PLACE TOP COVER INTO POSITION ON TOP OF MOUNT.
 4. PUSH AND TURN KNOB TO LOCK/UNLOCK.
 5. ALIGN AND INSTALL SCREWS WITH DISPLAY.

THIRD ANGLE PROJECTION			
MILLIMETERS [IN]			
SURFACE AREA		TOLERANCES UNLESS OTHERWISE NOTED	
VOLUME		ALL DIMENSIONS WITHOUT TOLERANCES ARE FOR REFERENCE ONLY.	
PROPRIETARY ITEM		EXCEPT FOR USES EXPRESSLY GRANTED IN WRITING, INFORMATION DISCLOSED HEREON IS CONFIDENTIAL AND ALL RIGHTS, PATENT AND OTHERWISE, ARE RESERVED BY SOUTHCO, INC.	
PER ASME Y14.5M-1994		DESCRIPTION TILT & SWIVEL DISPLAY MOUNT POLE MOUNT	DWG NO. J-AV-D32-10K161
SIZE	SYSTEM	DATE	SCALE
A2	NX	20APR2018	1:2
DRAWN BY		SHEET	
DMS/GEA		2 OF 2	

8

7

6

5

4

3

2

1