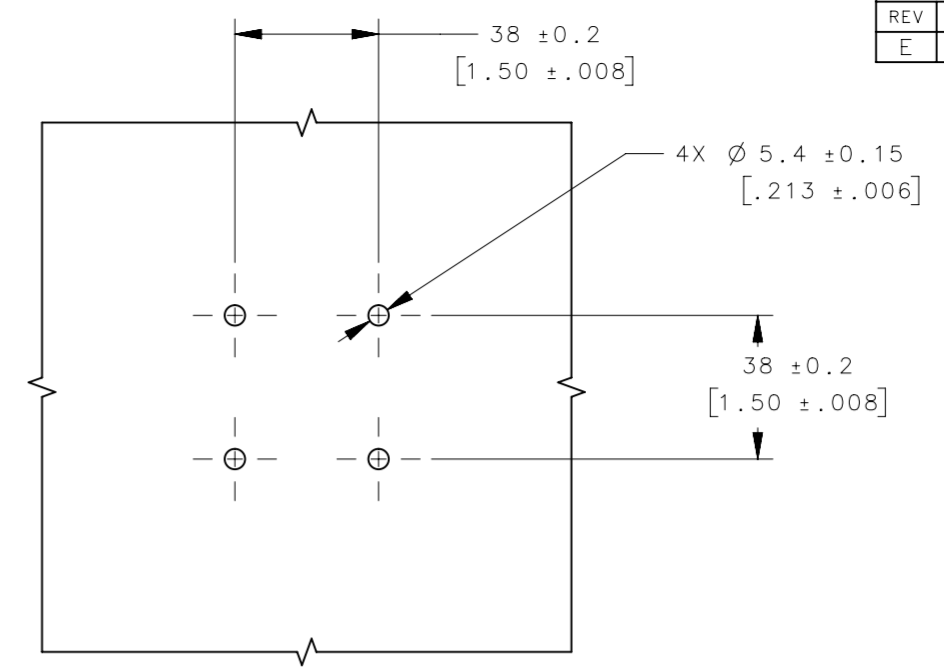
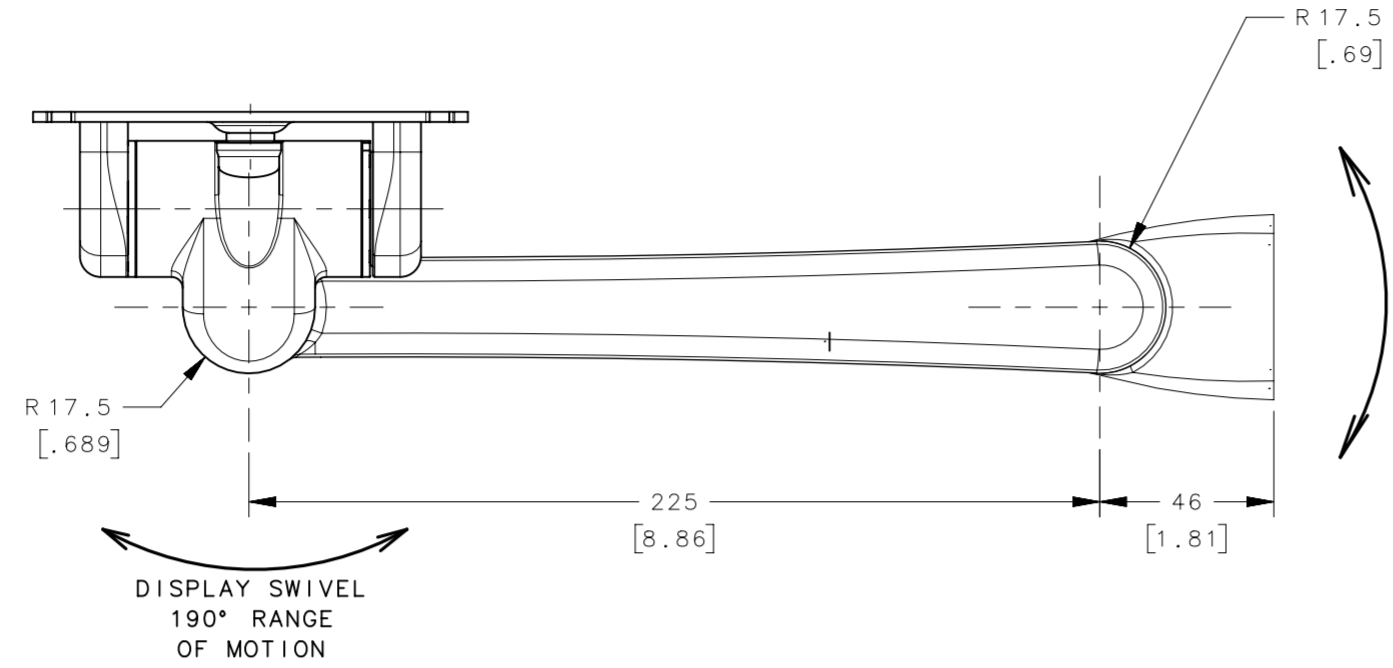
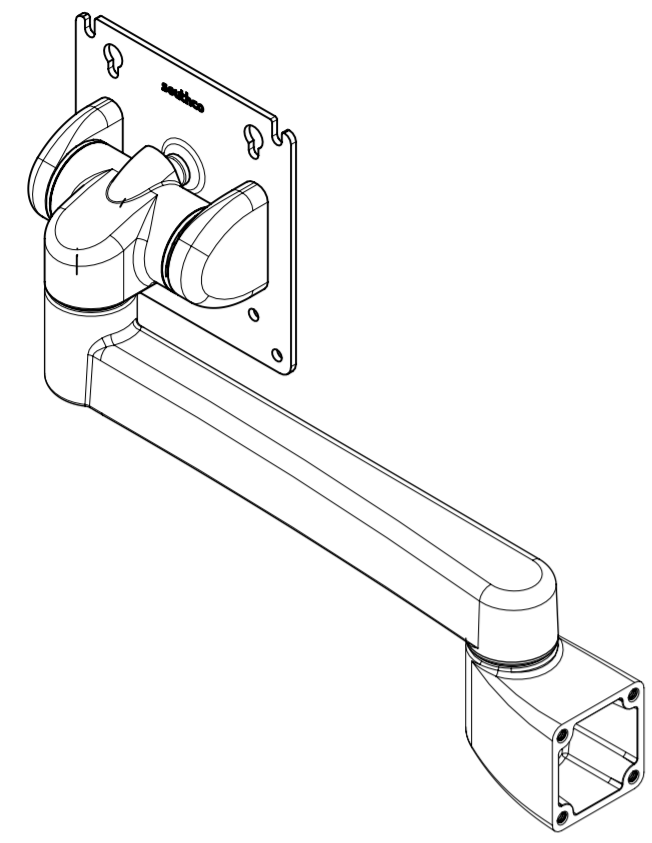
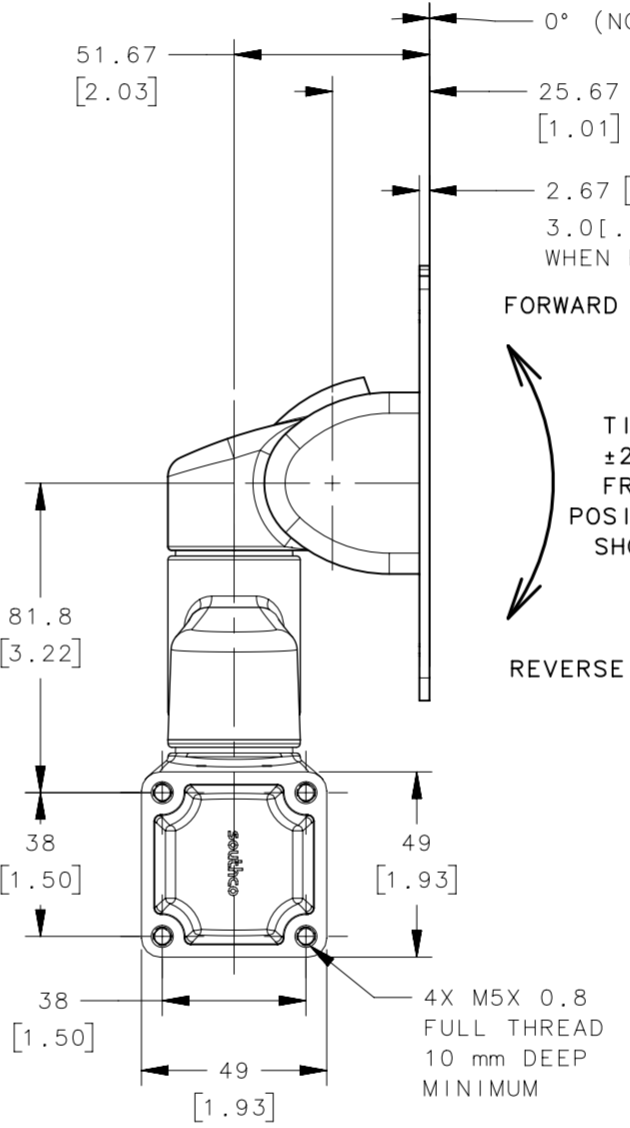
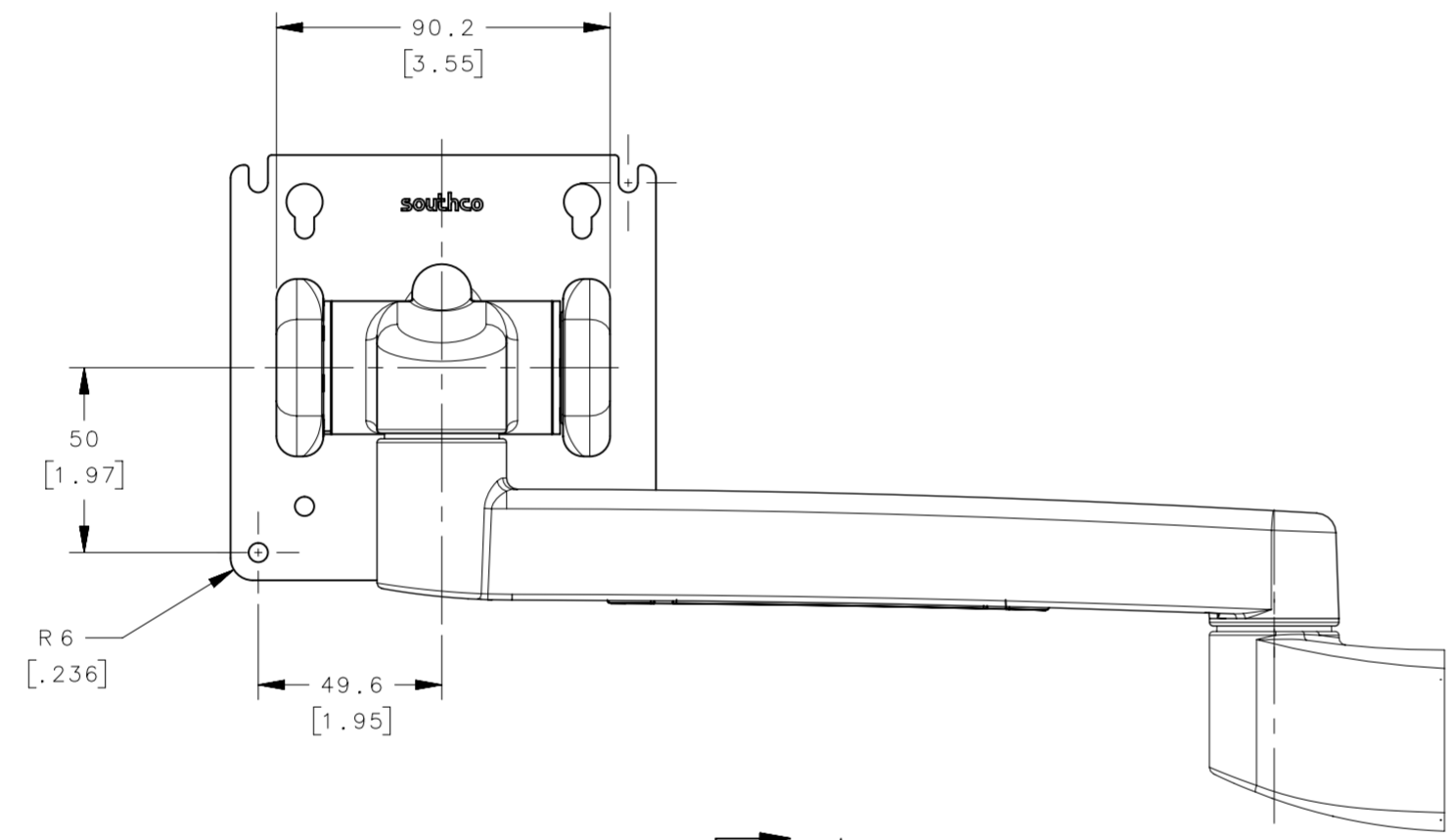
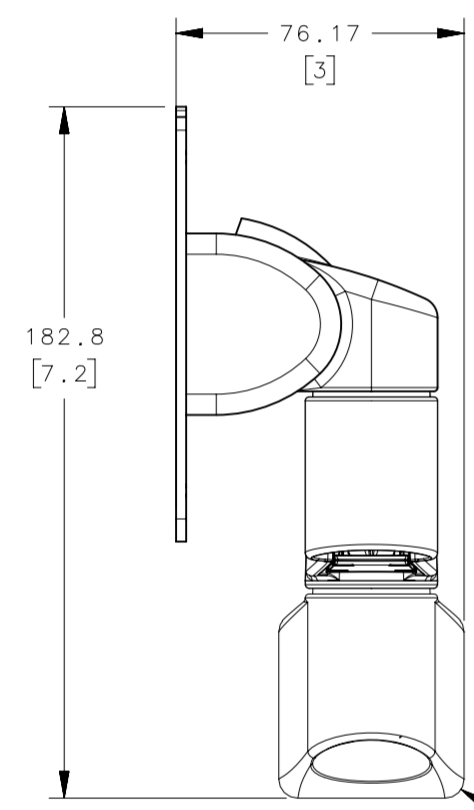


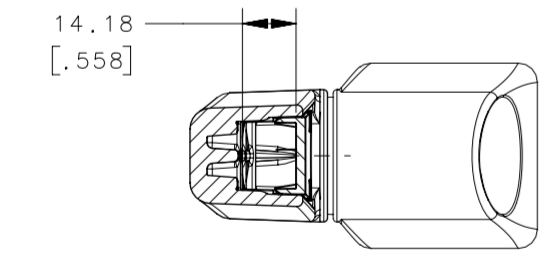
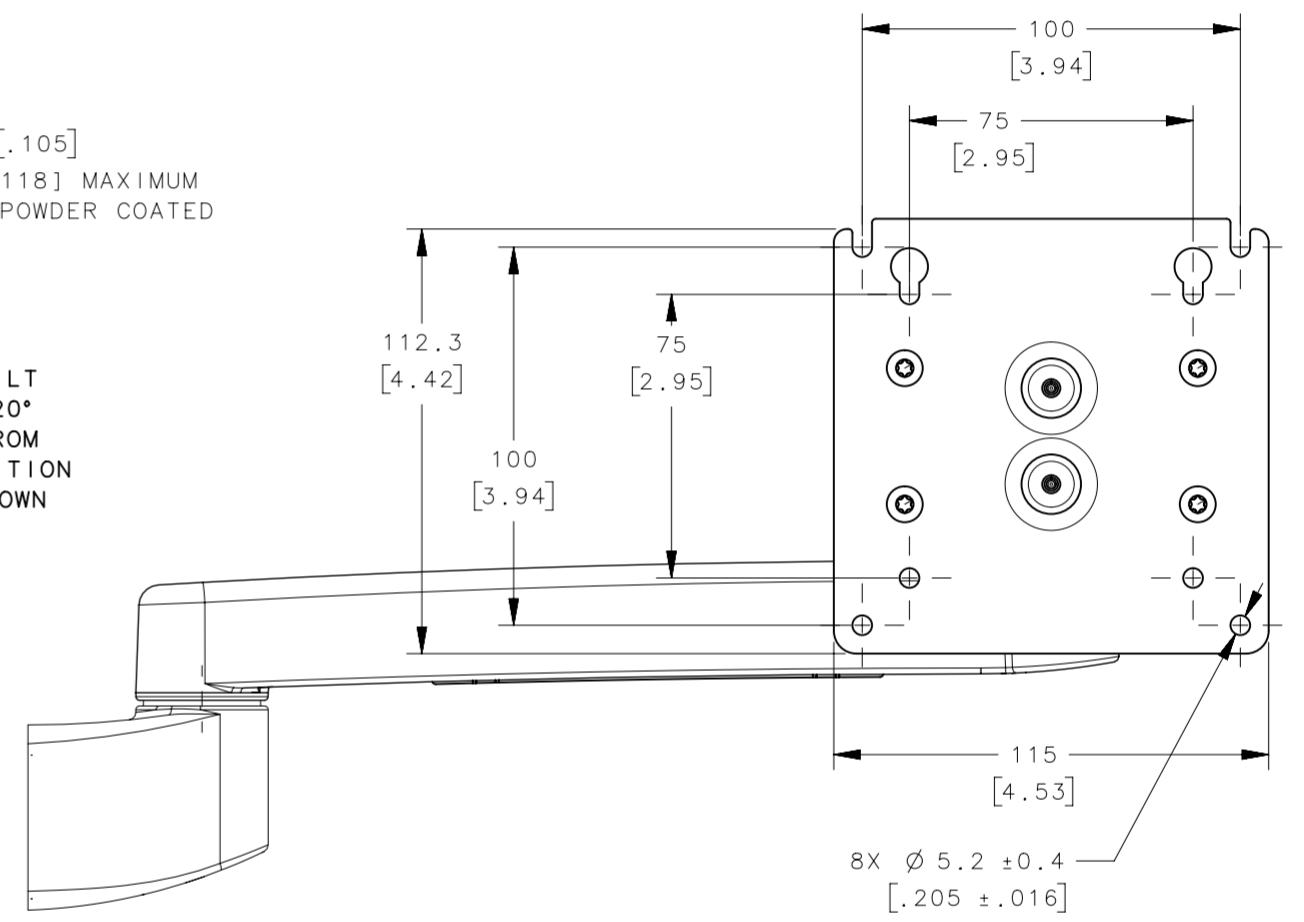
REVISION HISTORY			
REV	DATE	BY	DESCRIPTION
E	06FEB2018	CB1/VK	PRN: P2018-0356



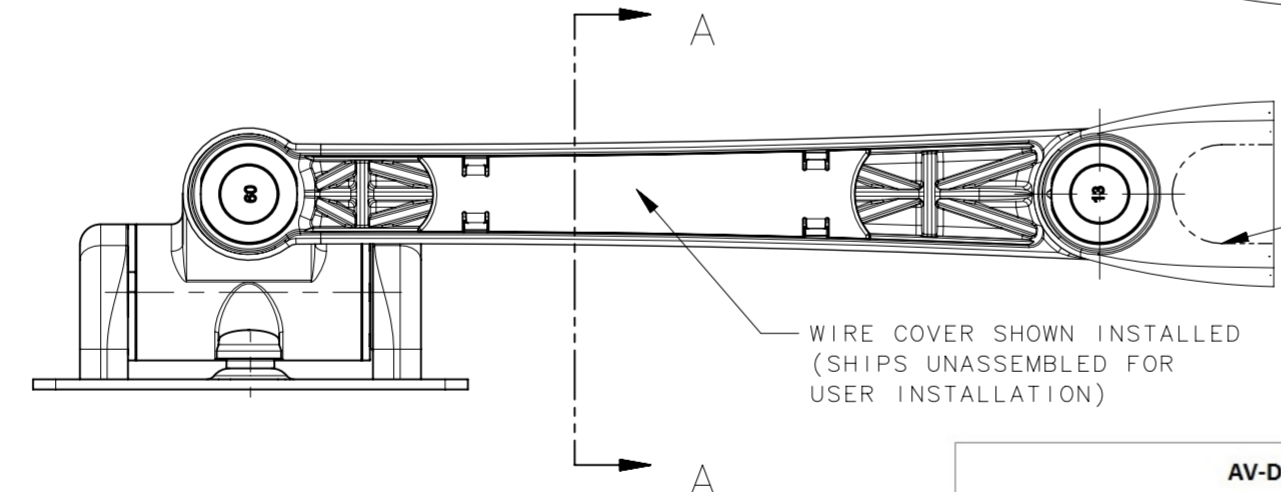
MOUNTING PANEL PREPARATION



0° (NOTE 4)
 TILT ±20° FROM POSITION SHOWN
 FORWARD
 REVERSE



SECTION A-A



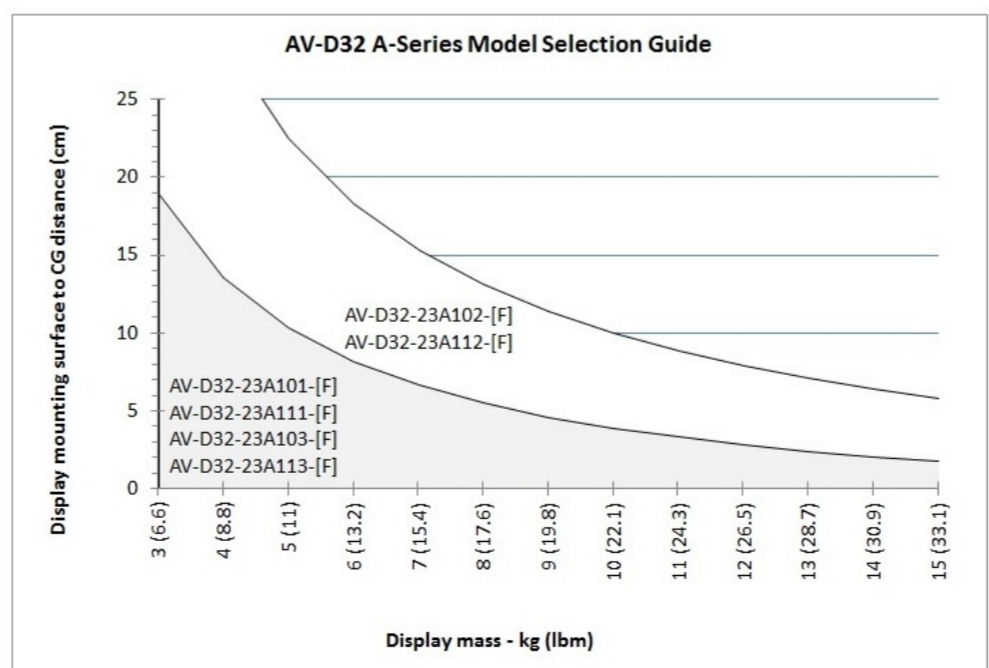
ASSEMBLIES CAN BE ORDERED WITH AN OPTIONAL WIRE NOTCH IN HOUSING FOR EASIER WIRE ROUTING. SEE SHEET 2.

NOTES:

1. FINISH PER SOUTHCO COSMETIC SPECIFICATION S-121 CLASS C EXTERIOR POWDER COATED SURFACES.
2. TILT TORQUE MEASURED WITH VESA DISPLAY PLATE IN THE VERTICAL (0° ± 5°) POSITION WHEN TILTING IN THE REVERSE DIRECTION. THE TILT TORQUE VARIES WITH THE COUNTERBALANCE (WHEN EQUIPPED) IN THE FORWARD AND REVERSE DIRECTIONS.
3. DISPLAY MOUNTING PLATE TO HOUSING ANGULAR FREE PLAY TO BE 1.5° MAXIMUM.
4. MATERIALS AND FINISHES:
 ADAPTERS: DIE CAST ALUMINUM ANODIZED AND POWDER COATED
 ARM, TILT HOUSING AND SWIVEL HOUSING: DIE CAST ALUMINUM, POWDER COATED
 TILT SLEEVE AND THRUST WASHER: ACETAL, BLACK
 COILED PIN: STEEL, PHOSPHATE COATED
 TILT SHAFT, TORQUE ELEMENTS AND STOP WASHER: STEEL, NATURAL FINISH
 TORSION SPRING: CARBON STEEL, NICKEL PLATED
 DISPLAY SCREWS: STEEL, BLACK OXIDE
 DISPLAY STOPS: POLYETHYLENE, WHITE
 SWIVEL SHAFT: STAINLESS STEEL AND NYLON
 WIRE COVER: PC/ABS, BLACK
 LUBRICANT: HYDROCARBON BASE

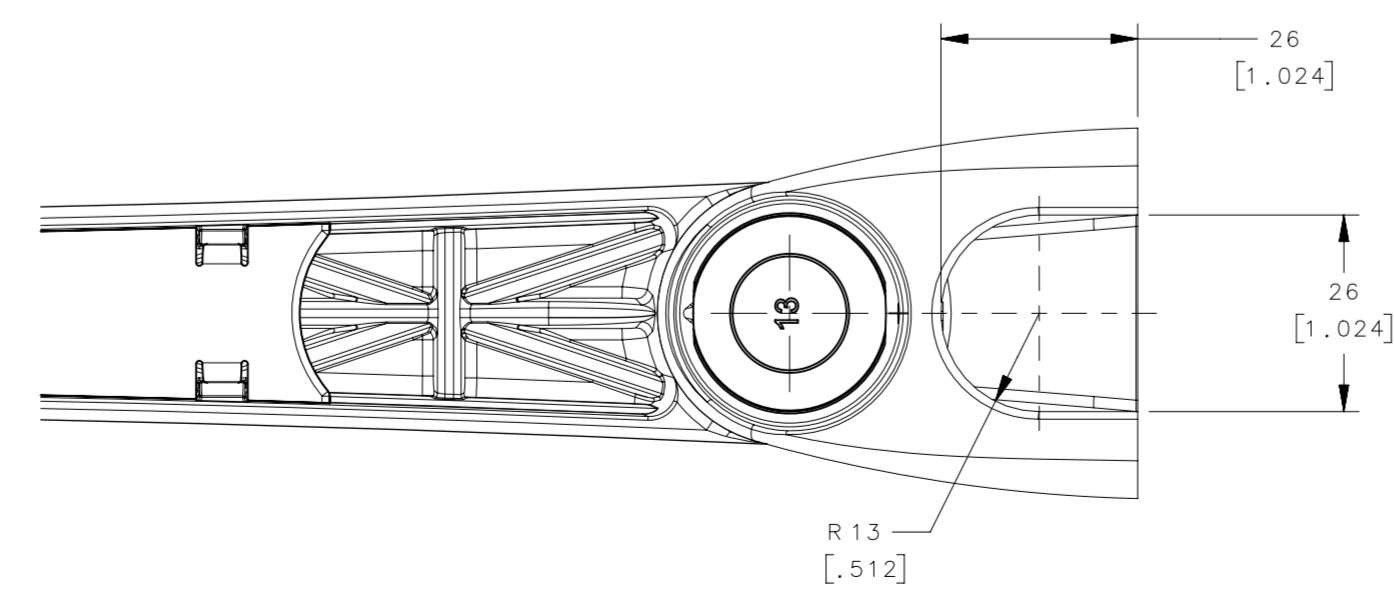
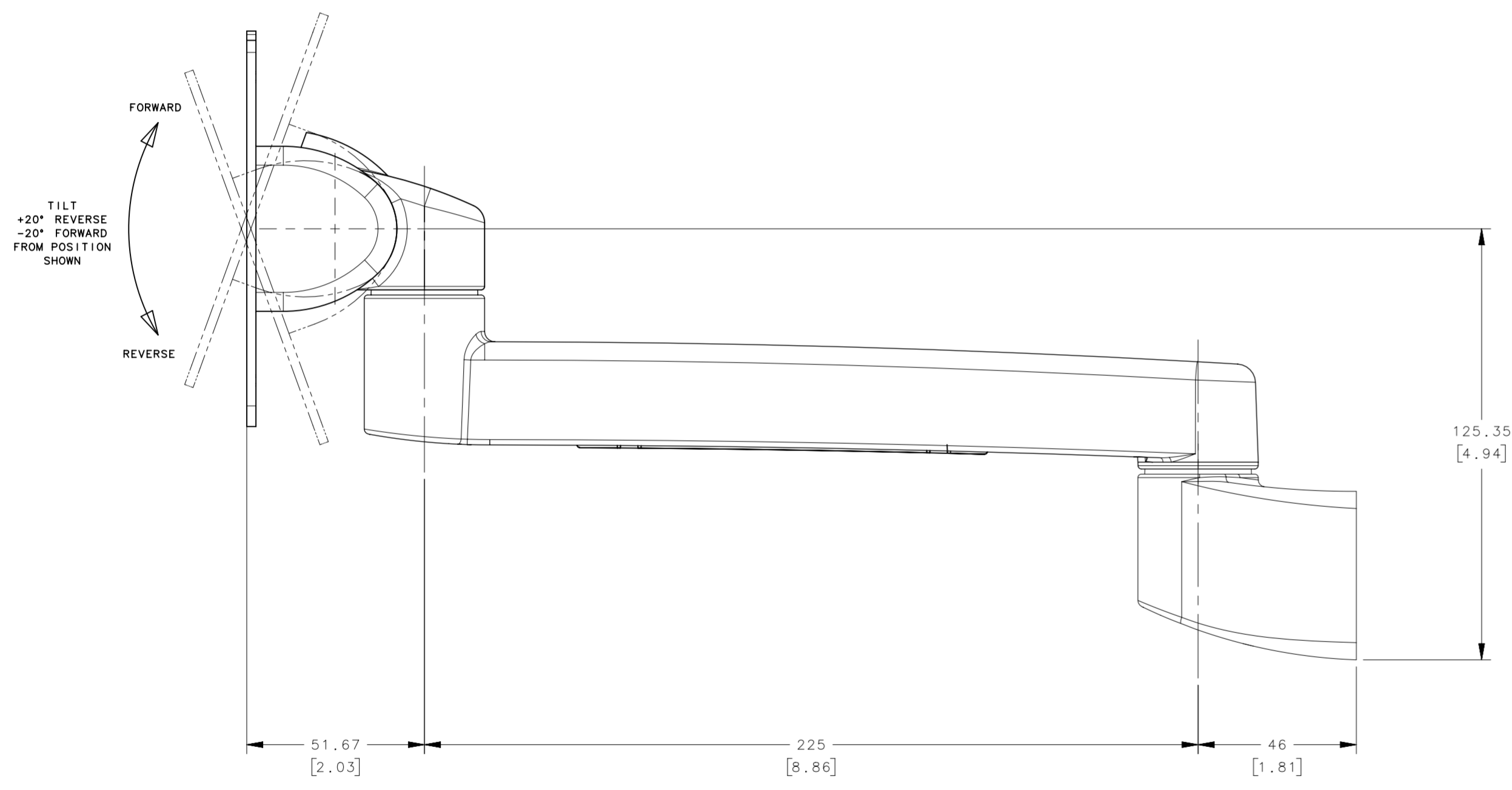
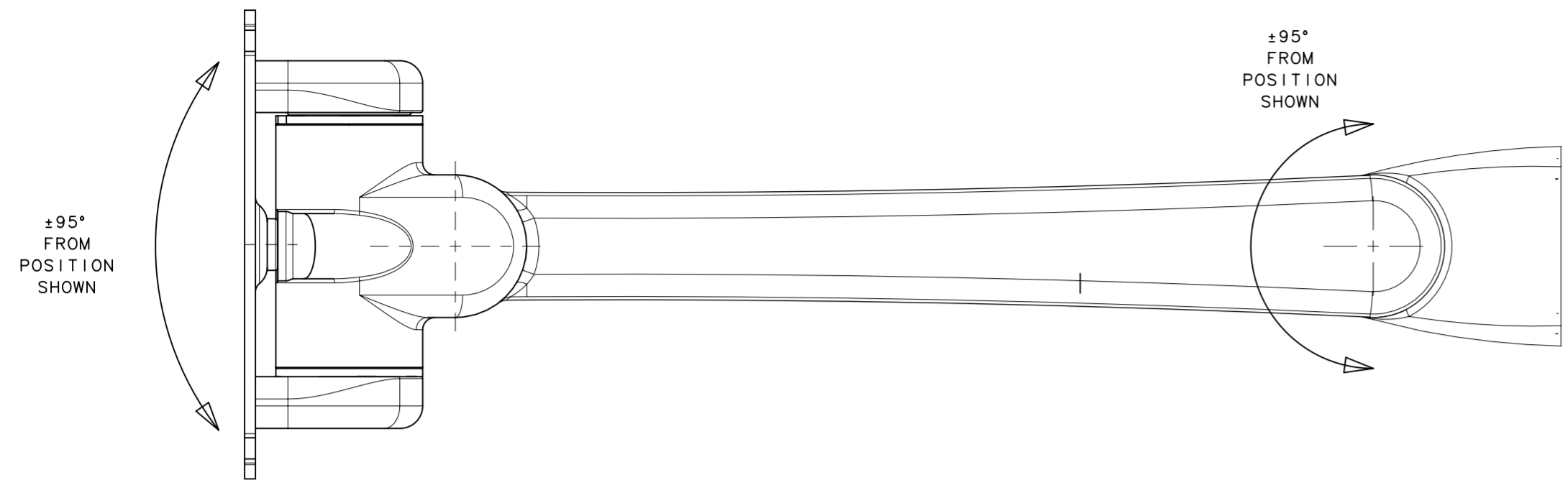
PART NUMBER	PART NUMBER WITH WIRE NOTCH IN BASE	REVERSE TILT TORQUE N*m (lbf*in)	FORWARD TILT TORQUE N*m (lbf*in)	DISPLAY SWIVEL SYMMETRIC TORQUE	SYMMETRIC TORQUE TO MOVE ARM ASSEMBLY	COLOR
AV-D32-23A101-50	AV-D32-23A111-50	7.9 (70)	1.13 (10)	4.29 N*m	9.8 N*m (87 lbf*in)	BLACK
AV-D32-23A101-76	AV-D32-23A111-76	7.9 (70)	1.13 (10)	(38 lbf*in)	NOMINAL / 5.08 N*m	OFFICE WHITE
AV-D32-23A102-50	AV-D32-23A112-50	15.4 (136)	2.26 (20)	2.17 N*m	(45 lbf*in)	BLACK
AV-D32-23A102-76	AV-D32-23A112-76	15.4 (136)	2.26 (20)	MINIMUM	MINIMUM	OFFICE WHITE
AV-D32-23A103-50	AV-D32-23A113-50	8.6 (76)	6.0 (53)			BLACK
AV-D32-23A103-76	AV-D32-23A113-76	8.6 (76)	6.0 (53)			OFFICE WHITE

ASSEMBLIES CAN BE ORDERED WITH AN OPTIONAL WIRE NOTCH IN HOUSING FOR EASIER WIRE ROUTING. SEE SHEET 2.

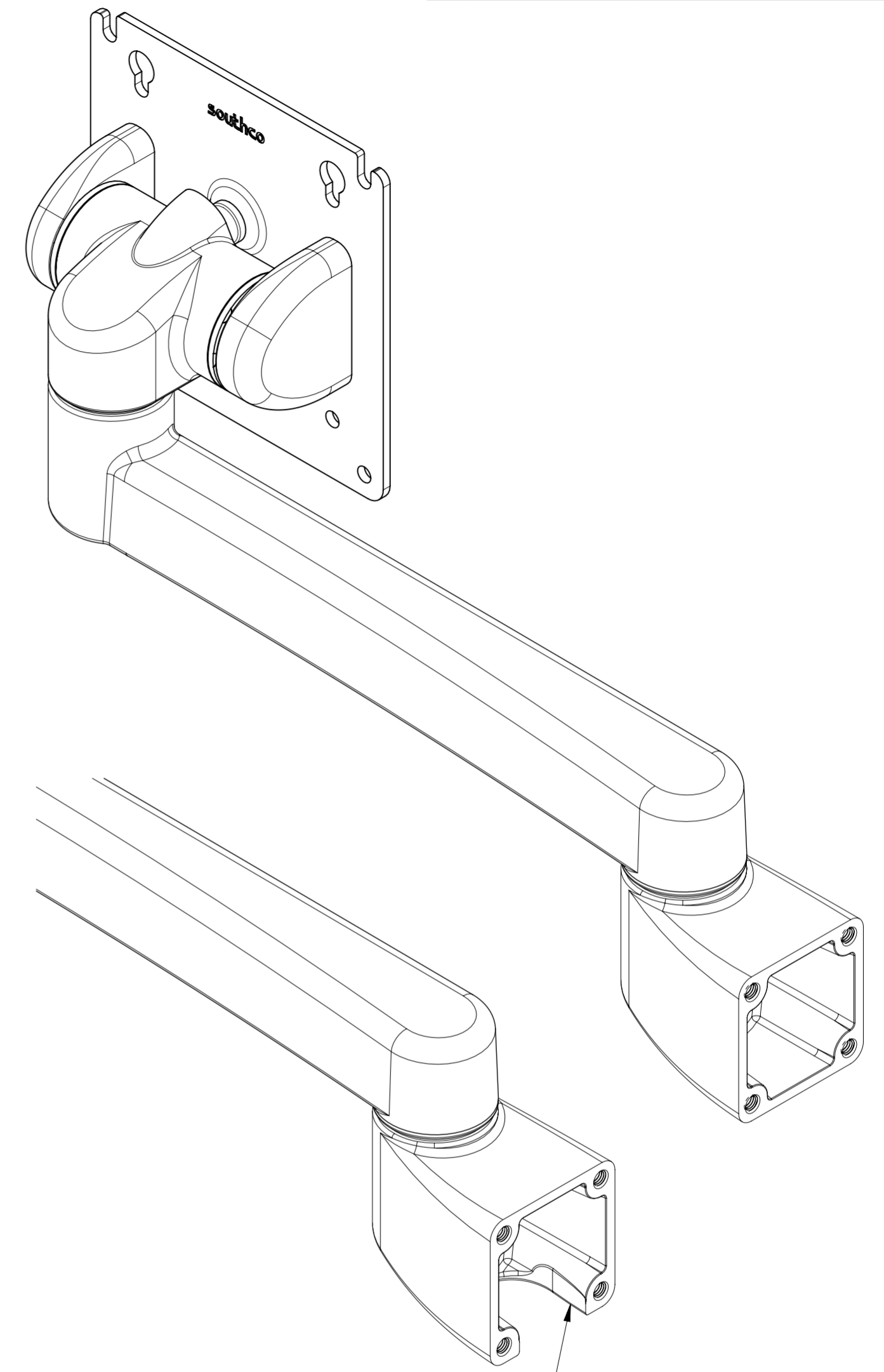


THIRD ANGLE PROJECTION		southco CONNECT · CREATE · INNOVATE
MILLIMETERS [IN]		
TOLERANCES UNLESS OTHERWISE NOTED		DESCRIPTION DISPLAY MOUNT TILT & SWIVEL, SINGLE ARM
SURFACE AREA	ALL DIMENSIONS WITHOUT TOLERANCES ARE FOR REFERENCE ONLY.	
VOLUME	SIZE SYSTEM A2 NX	DWG NO. J-AV-D32-23A101
PROPRIETARY ITEM EXCEPT FOR USES EXPRESSLY GRANTED IN WRITING. INFORMATION DISCLOSED HEREON IS CONFIDENTIAL AND ALL RIGHTS, PATENT AND OTHERWISE, ARE RESERVED BY SOUTHCO, INC.	PER ASME Y14.5M-1994	DRAWN BY GEA
	DATE 22AUG2014	SCALE 1:1
		SHEET 1 OF 4

REVISION HISTORY			
REV	DATE	BY	DESCRIPTION
E	06FEB2018	CB1/VK	PRN: P2018-0356



OPTIONAL WIRE NOTCH DETAIL



ASSEMBLIES CAN BE ORDERED WITH AN OPTIONAL WIRE NOTCH IN SWIVEL HOUSING FOR EASIER WIRE ROUTING.

	THIRD ANGLE PROJECTION			southco CONNECT · CREATE · INNOVATE	
	MILLIMETERS [IN]				
SURFACE AREA	TOLERANCES UNLESS OTHERWISE NOTED		DESCRIPTION		
VOLUME	ALL DIMENSIONS WITHOUT TOLERANCES ARE FOR REFERENCE ONLY.		TILT & SWIVEL, SINGLE ARM		
PROPRIETARY ITEM	PER ASME Y14.5M-1994	SIZE	SYSTEM	DWG NO.	
EXCEPT FOR USES EXPRESSLY GRANTED IN WRITING, INFORMATION DISCLOSED HEREON IS CONFIDENTIAL AND ALL RIGHTS, PATENT AND OTHERWISE, ARE RESERVED BY SOUTHCO, INC.		A2	NX	J-AV-D32-23A101	
		DRAWN BY	DATE	SCALE	SHEET
		GEA	22AUG2014	1:1	2 OF 4

8

7

6

5

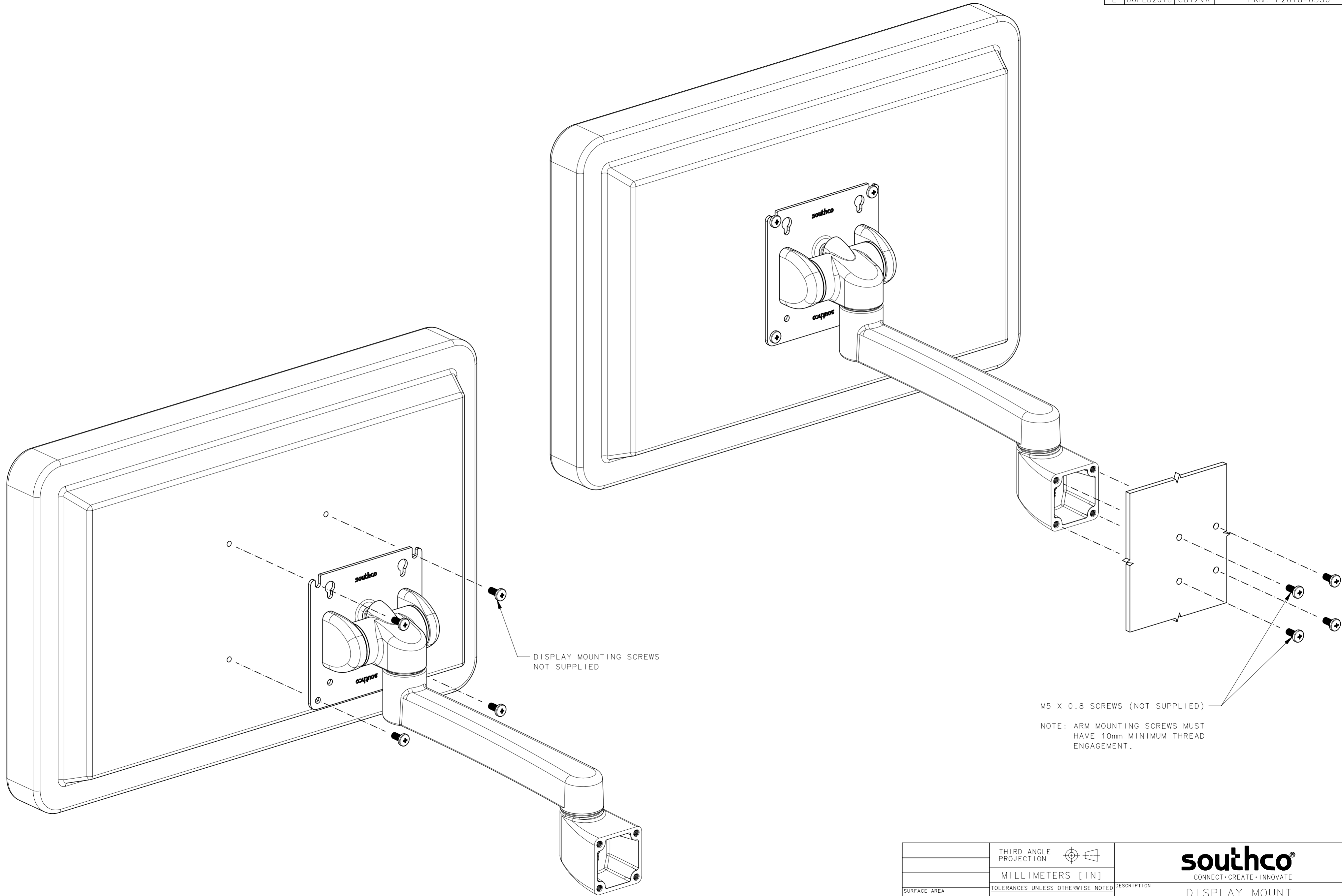
4

3

2

1

REVISION HISTORY			
REV	DATE	BY	DESCRIPTION
E	06FEB2018	CB1/VK	PRN: P2018-0356



THIRD ANGLE PROJECTION		 CONNECT · CREATE · INNOVATE	
MILLIMETERS [IN]			
SURFACE AREA		DESCRIPTION	
VOLUME		ALL DIMENSIONS WITHOUT TOLERANCES ARE FOR REFERENCE ONLY.	
PROPRIETARY ITEM <small>EXCEPT FOR USES EXPRESSLY GRANTED IN WRITING, INFORMATION DISCLOSED HEREON IS CONFIDENTIAL AND ALL RIGHTS, PATENT AND OTHERWISE, ARE RESERVED BY SOUTHCO, INC.</small>		SIZE SYSTEM A2 NX	DWG NO. J-AV-D32-23A101
PER ASME Y14.5M-1994		DRAWN BY GEA	DATE 22AUG2014
		SCALE 1:1	SHEET 3 OF 4

8

7

6

5

4

3

2

1

8

7

6

5

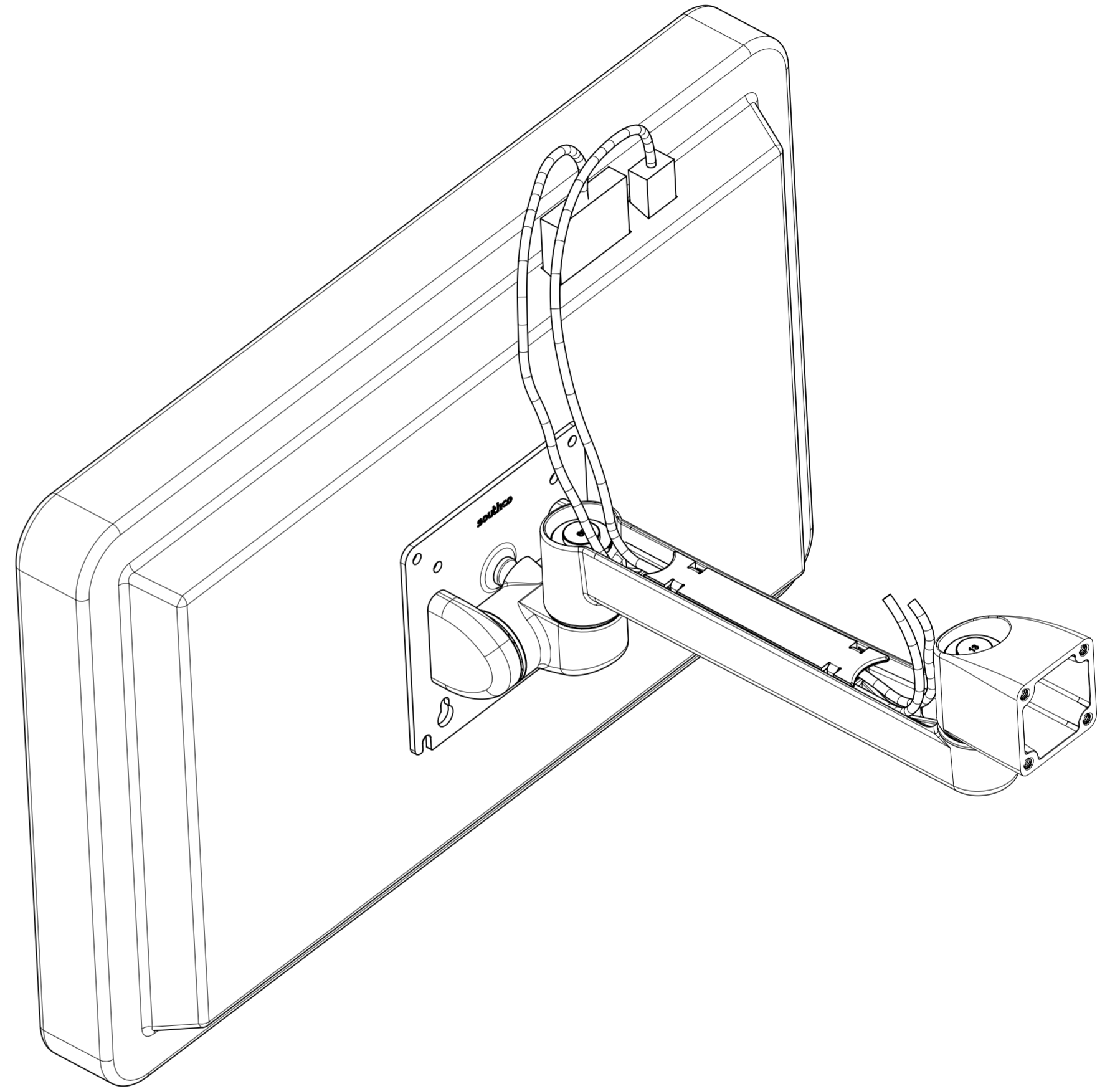
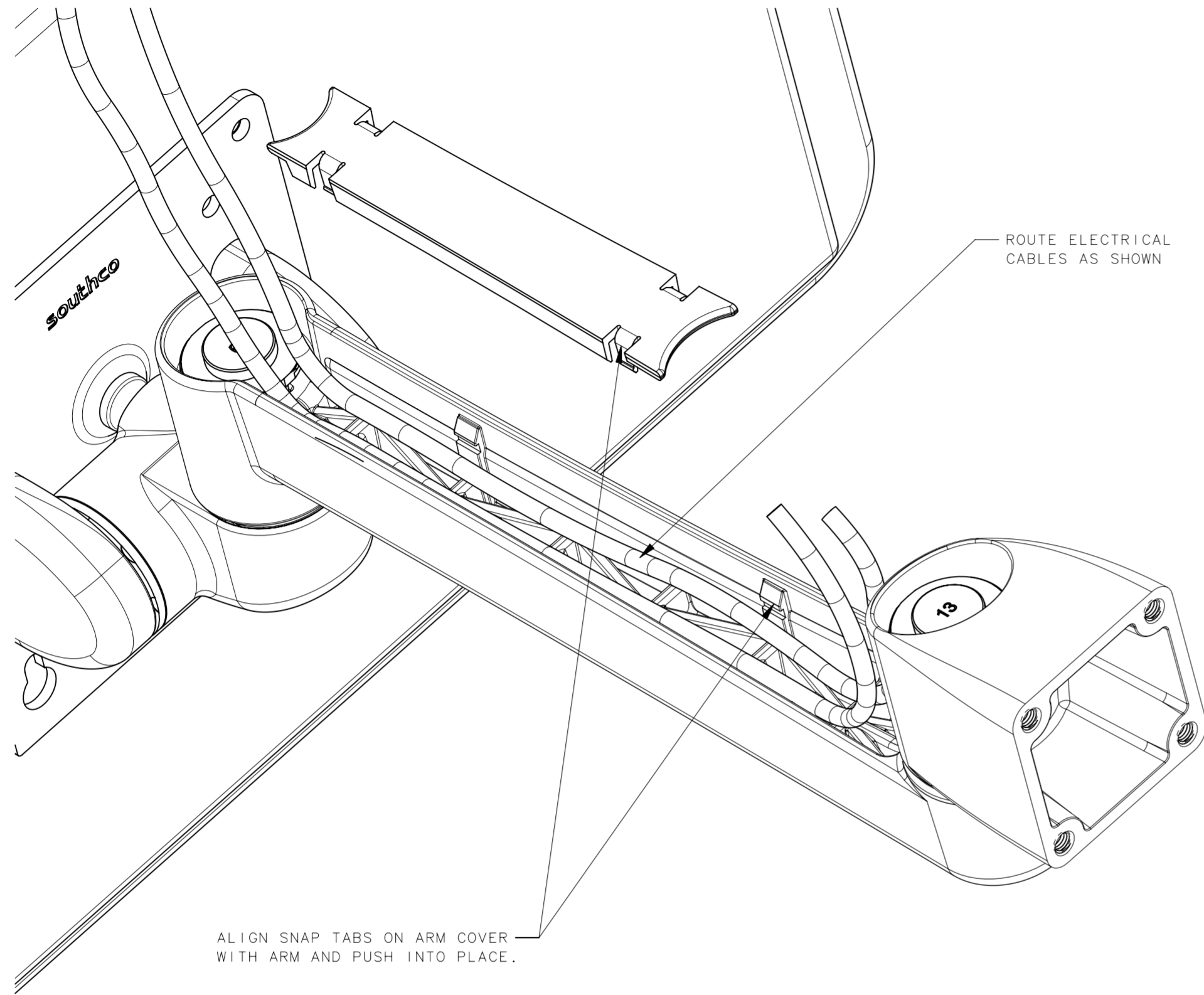
4

3

2

1

REVISION HISTORY			
REV	DATE	BY	DESCRIPTION
E	06FEB2018	CB1/VK	PRN: P2018-0356



	THIRD ANGLE PROJECTION	 CONNECT · CREATE · INNOVATE
	MILLIMETERS [IN]	
SURFACE AREA	TOLERANCES UNLESS OTHERWISE NOTED	DESCRIPTION
VOLUME	ALL DIMENSIONS WITHOUT TOLERANCES ARE FOR REFERENCE ONLY.	DISPLAY MOUNT TILT & SWIVEL, SINGLE ARM
PROPRIETARY ITEM <small>EXCEPT FOR USES EXPRESSLY GRANTED IN WRITING, INFORMATION DISCLOSED HEREON IS CONFIDENTIAL AND ALL RIGHTS, PATENT AND OTHERWISE, ARE RESERVED BY SOUTHCO, INC.</small>	PER ASME Y14.5M-1994	SIZE SYSTEM A2 NX
	DRAWN BY: GEA	DWG NO.: J-AV-D32-23A101 DATE: 22AUG2014 SCALE: 1:1 SHEET: 4 OF 4

8

7

6

5

4

3

2

1