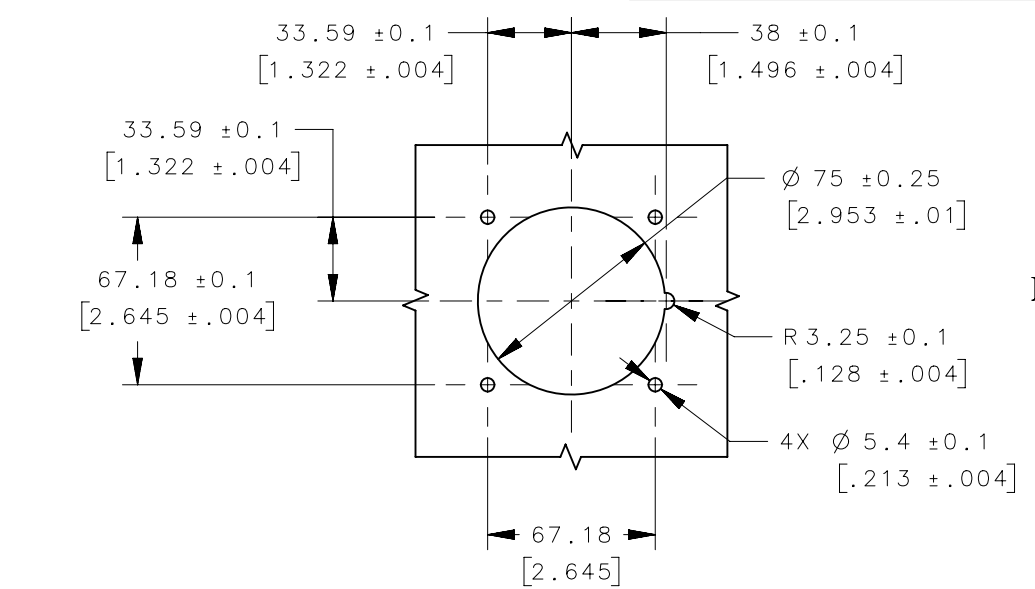
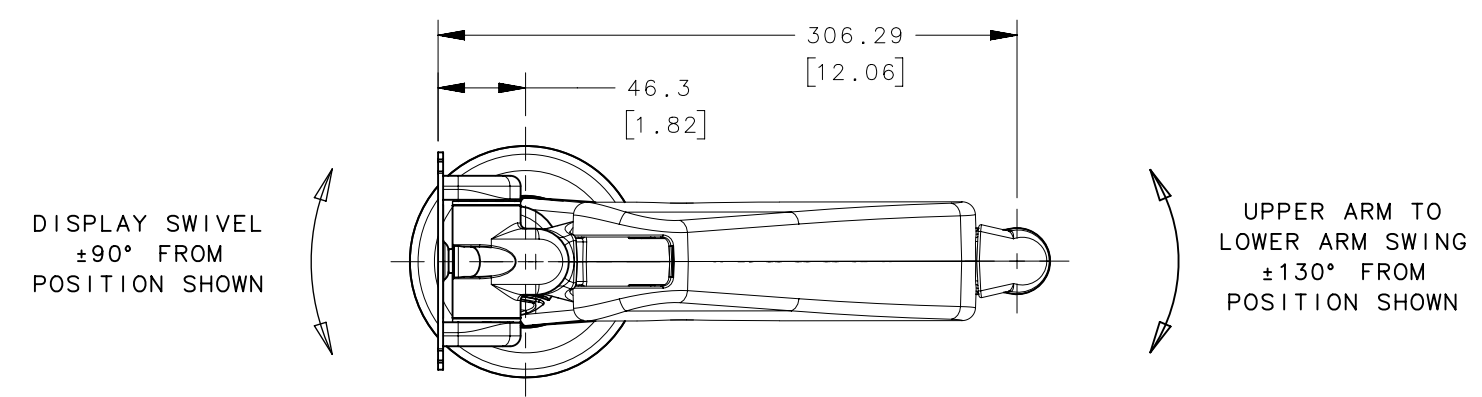
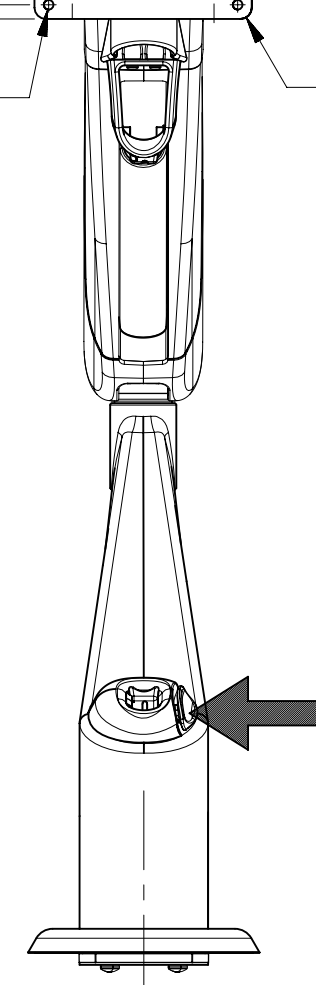
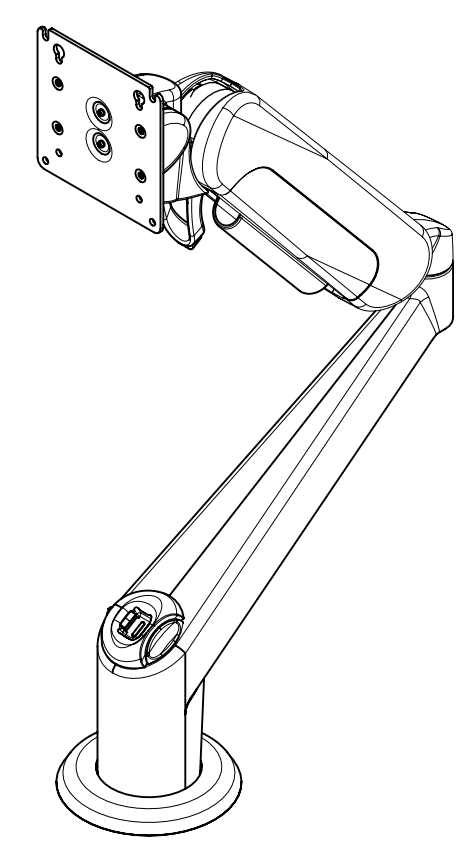
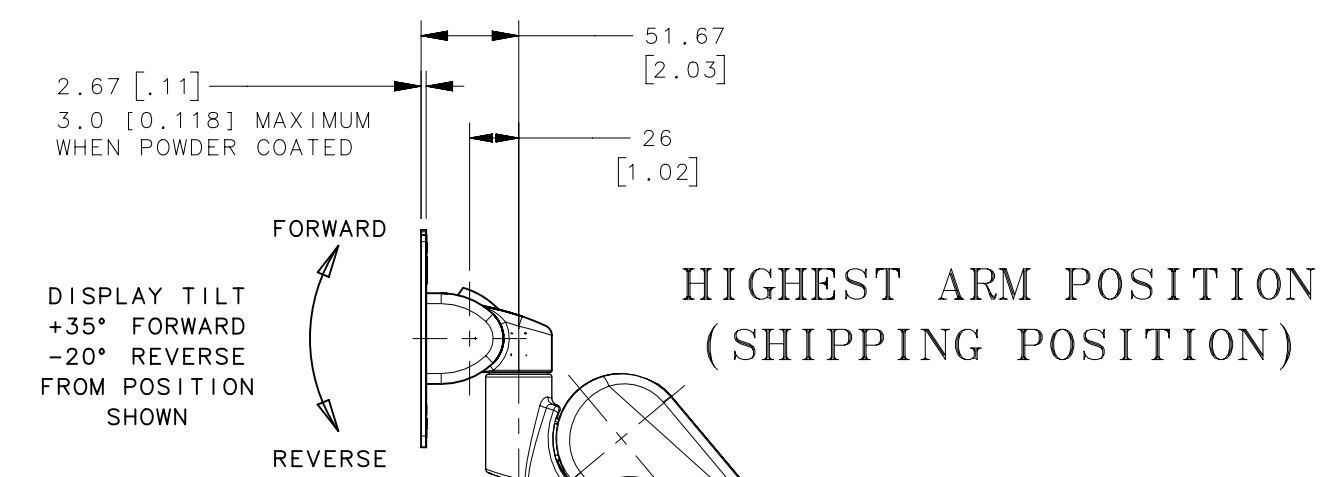
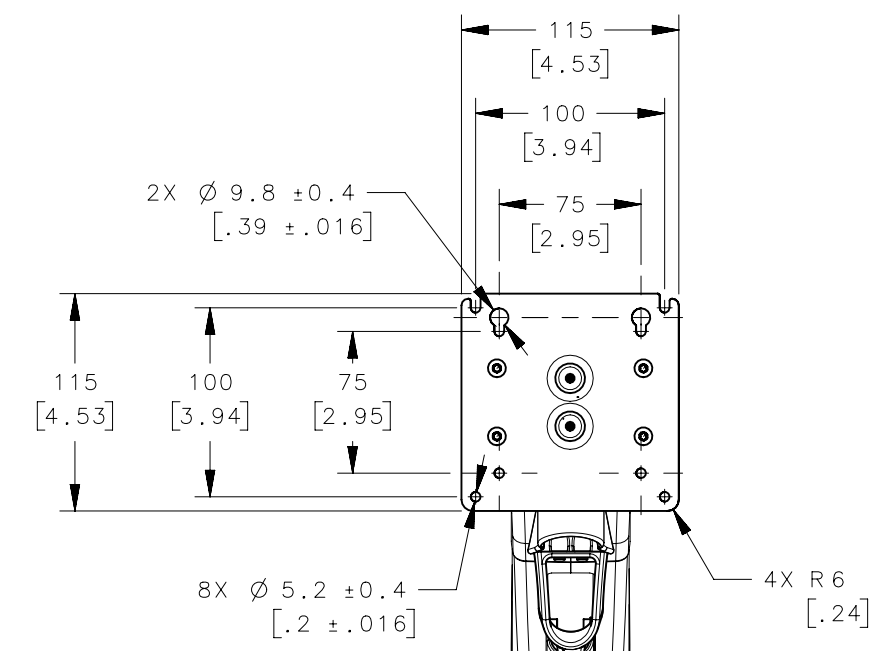


REVISION HISTORY			
REV	DATE	BY	DESCRIPTION
D	15FEB2021	ABK/VK	PRN: P2021-0289

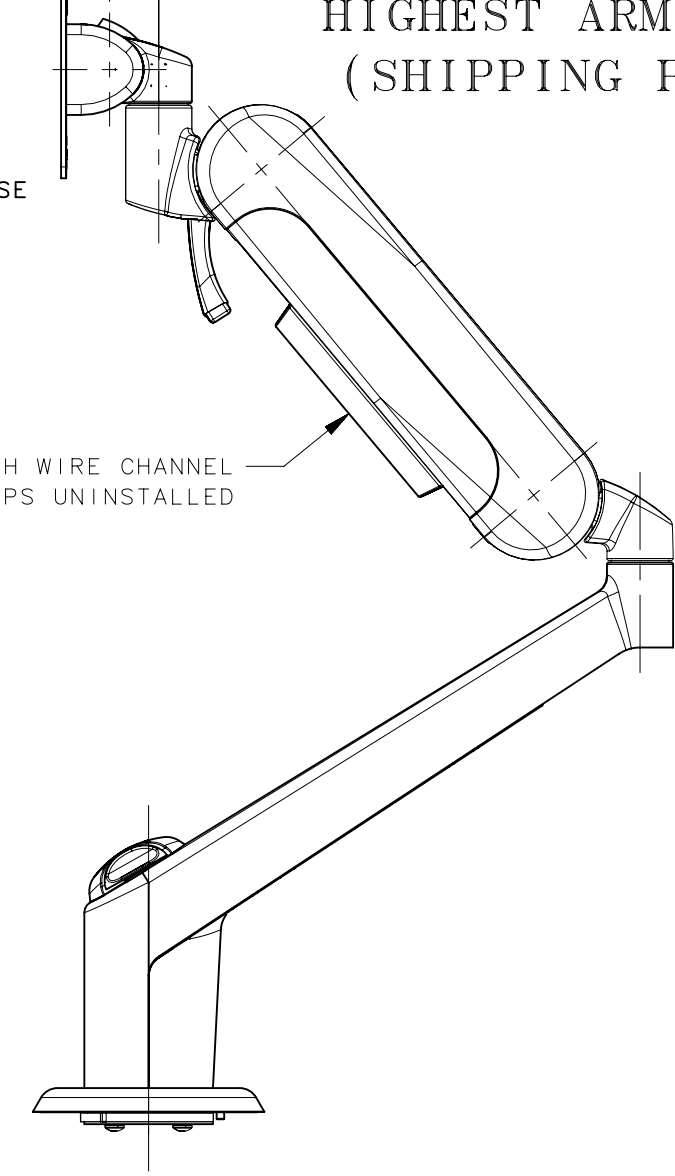


MOUNTING PANEL PREPARATION

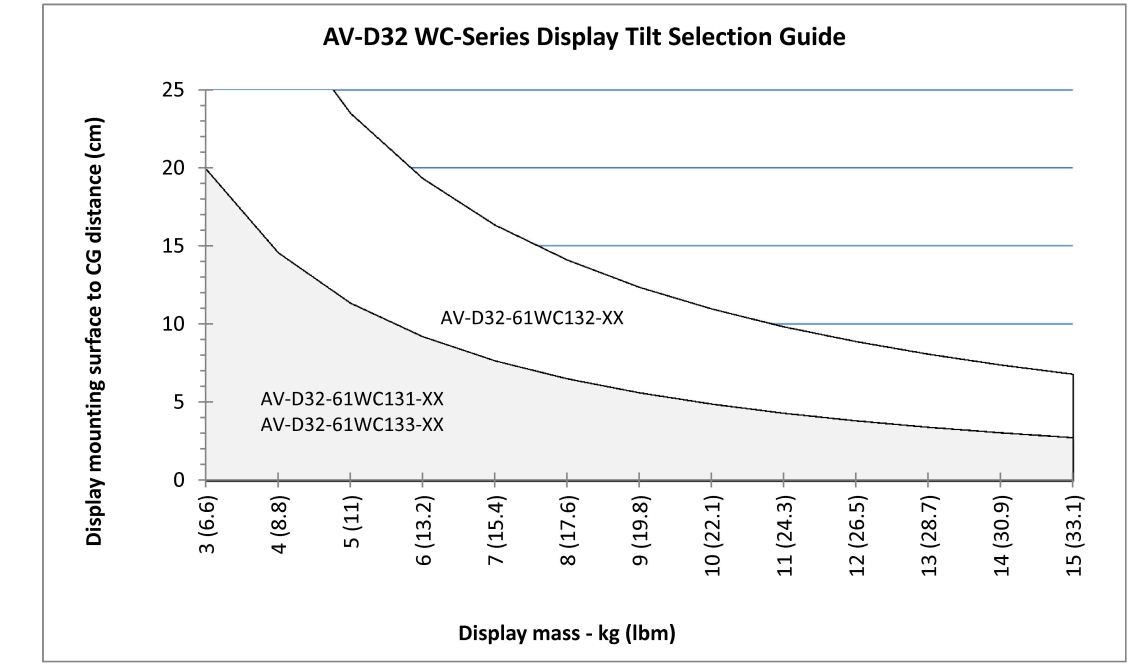
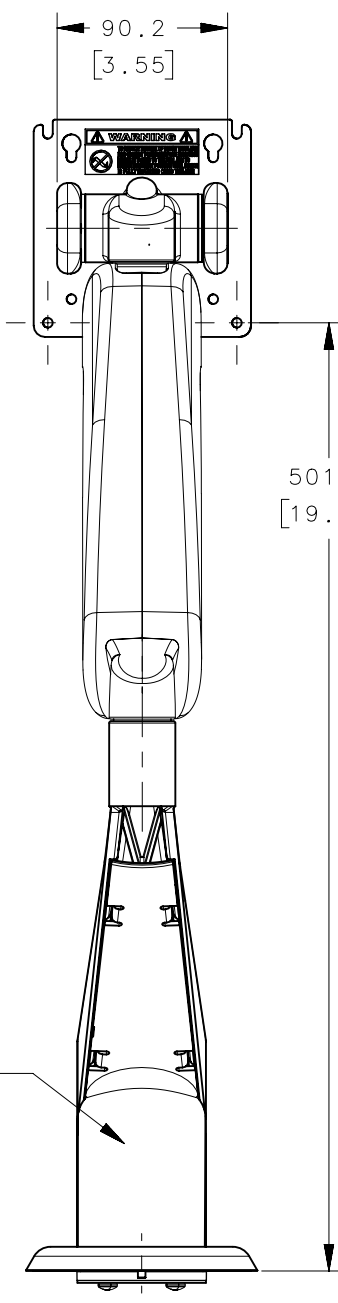


DEPRESS ACTUATOR IN DIRECTION OF ARROW TO RELEASE ARM LOCK WHEN LOCKED

ARM SHOWN WITH WIRE CHANNEL INSTALLED SHIPS UNINSTALLED

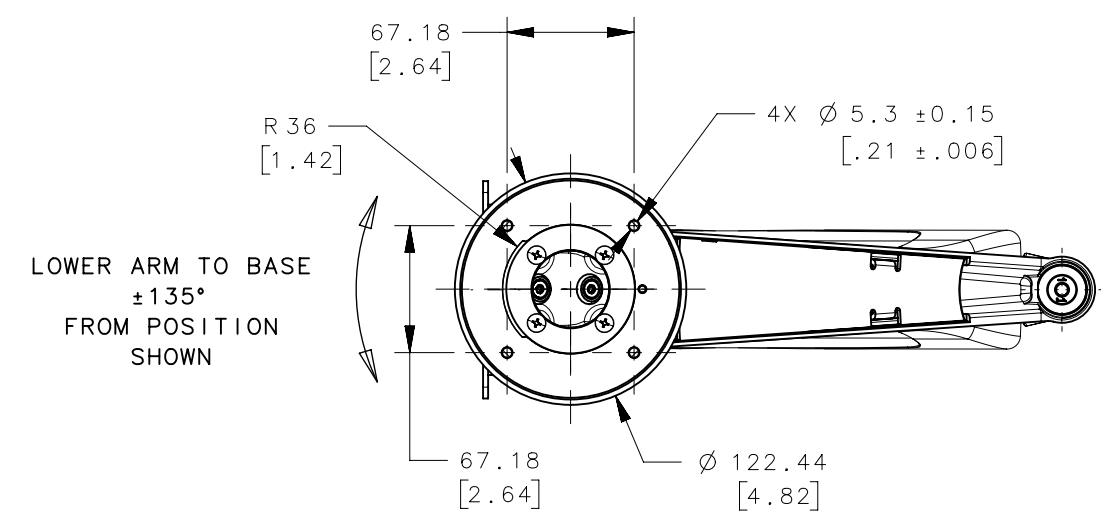


ARM SHOWN WITH LOWER ARM COVER INSTALLED (SHIPS INSTALLED)



- NOTES:
- FINISH PER SOUTHCO COSMETIC SPECIFICATION S-121. ALL POWDER COATED EXTERIOR VISIBLE SURFACES CLASS C AND PLASTIC COVERS CLASS A.
 - TILT TORQUE MEASURE WITH DISPLAY MOUNTING PLATE IN THE VERTICAL 0° ±5° POSITION WHEN TILTING IN THE REVERSE DIRECTION. THE TILT TORQUE VARIES WITH THE COUNTERBALANCE (WHEN EQUIPPED) IN THE FORWARD AND REVERSE DIRECTIONS.
 - THE DISPLAY MOUNTING PLATE TO TILT HOUSING ANGULAR FREE PLAY TO BE 1.5° MAXIMUM.
 - THE ARM IS ADJUSTABLE TO SUPPORT DISPLAYS OF WEIGHT WITHIN RANGE SPECIFIED. THE DISPLAY IS ADJUSTED BY USING A 5 mm HEX KEY IN THE TOP OF THE LOWER HOUSING. THIS IS ACCESSED BY LOWERING THE ARM POSITION WITH THE DISPLAY ATTACHED TO JUST BELOW THE HORIZONTAL POSITION. THE ADJUSTMENT SCREW IS TURNED CLOCKWISE FOR A LIGHTER DISPLAY AND COUNTERCLOCKWISE FOR HEAVIER DISPLAYS. THE ARM SHIPS WITH THE ADJUSTMENT FOR THE HEAVIEST DISPLAY. (SEE SHEET 2 OF 5)
 - MATERIALS AND FINISHES:
TILT ADAPTERS: DIE CAST ALUMINUM ANODIZED AND POWDER COATED
ARM, TILT HOUSING, UPPER KNUCKLE, LOWER KNUCKLE, AND ARM ADAPTER: DIE CAST ALUMINUM, POWDER COATED
TILT SLEEVE, THRUST WASHER, LOCK BASE, AND SHELL: ACETAL, BLACK
BASE WASHER: PTFE FILLED ACETAL, BROWN
O-RING: FLUOROCARBON RUBBER
COILED PIN: STEEL, PHOSPHATE COATED
TILT SHAFT, TORQUE ELEMENTS AND STOP WASHER: STEEL, NATURAL FINISH
TORSION SPRING: CARBON STEEL, NICKEL PLATED (WHEN EQUIPPED)
DISPLAY SCREWS AND RETAINERS: STEEL, BLACK OXIDE
DISPLAY STOPS: POLYETHYLENE, WHITE
LINK BUSHING AND STRUT ADJUST BUSHING: BRASS, NATURAL
LINK FLANGED SLEEVE: STEEL, TEFLON COATED
STRUT PIN: STEEL, NICKEL PLATED
BASE WASHER, STOP PIN, BASE PLATE, LOCK KEEPER, LOCK ACTUATOR, LOCK ARM: STAINLESS STEEL, PASSIVATED
STRUT ADJUST ADAPTER: ZINC, NICKEL PLATED
GAS SPRING: STEEL AND ZINC, PAINTED
ARM LINKS, STRUT BALL MOUNT: STEEL, ZINC PLATED
ARM PIVOT SHAFTS: STAINLESS STEEL AND NYLON
LINK PINS: STEEL, NICKEL PLATED
UPPER ARM COVERS, LOWER ARM COVER AND WIRE CHANNEL: PC/ABS
INSIDE ARM COVERS: POLYAMIDE (NYLON)
ESCUTCHEON: PC
LUBRICANT: HYDROCARBON BASE AND SILICONE BASE

WARNING:
TO REDUCE THE RISK OF INJURY MOVE ARM INTO HIGHEST POSITION BEFORE REMOVING DEVICE ATTACHED TO ARM. ARM TO REMAIN IN HIGHEST POSITION UNTIL DEVICE IS FULLY MOUNTED INTO THE ARM.



PART NUMBER	REVERSE TILT TORQUE N*m (lbf*in)	FORWARD TILT TORQUE N*m (lbf*in)	DISPLAY SWIVEL SYMMETRIC TORQUE N*m (lbf*in)	SYMMETRIC TORQUE TO MOVE UPPER ARM ASSEMBLY N*m (lbf*in)	SYMMETRIC TORQUE TO MOVE LOWER ARM ASSEMBLY N*m (lbf*in)	RECOMMENDED DISPLAY WEIGHT RANGE	COLOR
AV-D32-61WC131-50	7.9 (70)	1.13 (10)	4.29 N*m (38 lbf*in) NOMINAL / 2.17 N*m (19.2 lbf*in) MINIMUM	6.0 N*m (53.1 lbf*in) NOMINAL / 4.2 N*m (37.1 lbf*in) MINIMUM	6.0 N*m (53.1 lbf*in) NOMINAL / 2.0 N*m (17.7 lbf*in) MINIMUM	2 To 7 kg (4.4 TO 15.4 lbm)	BLACK
AV-D32-61WC131-76							OFFICE WHITE
AV-D32-61WC132-50	15.4 (136)	2.26 (20)	2.17 N*m (19.2 lbf*in) MINIMUM	4.2 N*m (37.1 lbf*in) MINIMUM	2.0 N*m (17.7 lbf*in) MINIMUM	5 TO 10 Kg (11 TO 22 lbm)	BLACK
AV-D32-61WC132-76							OFFICE WHITE
AV-D32-61WC133-50	8.6 (76)	6.0 (53)				2 To 7 kg (4.4 TO 15.4 lbm)	BLACK
AV-D32-61WC133-76							OFFICE WHITE

THIRD ANGLE PROJECTION		southco CONNECT · CREATE · INNOVATE
MILLIMETERS [IN]		
SURFACE AREA	mm ²	DESCRIPTION HINGE & CONTROLLED MOTION DEVICE STANDARD ARTICULATING LOCKING DOUBLE ARM
VOLUME	mm ³	
TOLERANCES UNLESS OTHERWISE NOTED		SIZE SYSTEM A2 NX
PROPRIETARY ITEM EXCEPT FOR USES EXPRESSLY GRANTED IN WRITING. INFORMATION DISCLOSED HEREON IS CONFIDENTIAL AND ALL RIGHTS, PATENT AND OTHERWISE, ARE RESERVED BY SOUTHCO, INC.		DWG NO. J-AV-D32-61WC131
PER ASME Y14.5M-1994		DRAWN BY GEA
		DATE 22MAR2017
		SCALE 1:1
		SHEET 1 OF 5

8

7

6

5

4

3

2

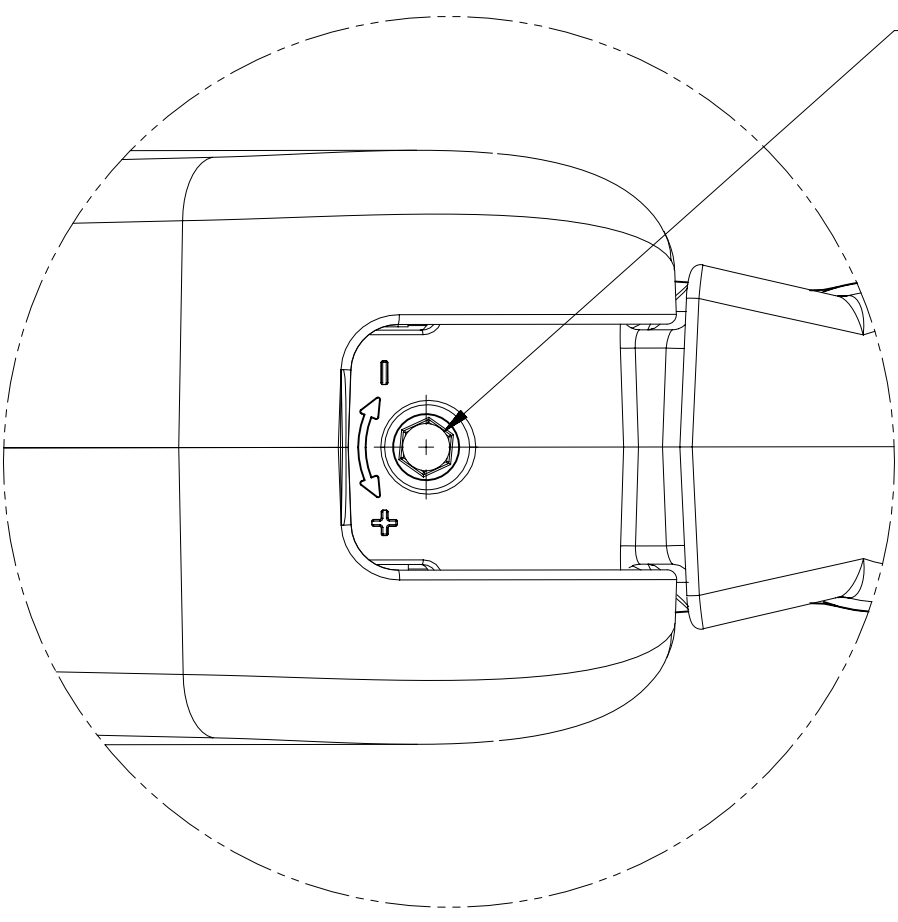
1

REVISION HISTORY

REV	DATE	BY	DESCRIPTION
D	15FEB2021	ABK/VK	PRN: P2021-0289

ARM DISPLAY WEIGHT ADJUSTMENT

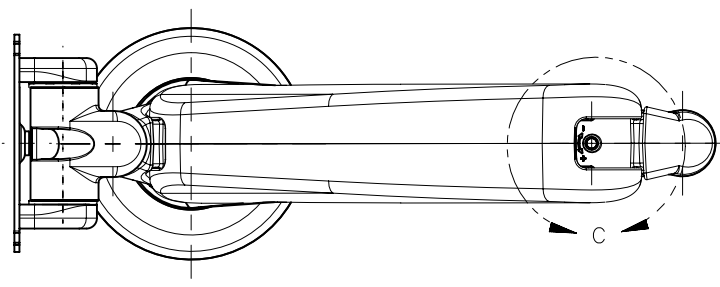
(ARM TO BE ADJUSTED WITH DISPLAY MOUNTED)



DISPLAY WEIGHT ADJUSTMENT
5mm HEX RECESS FOR HEX KEY

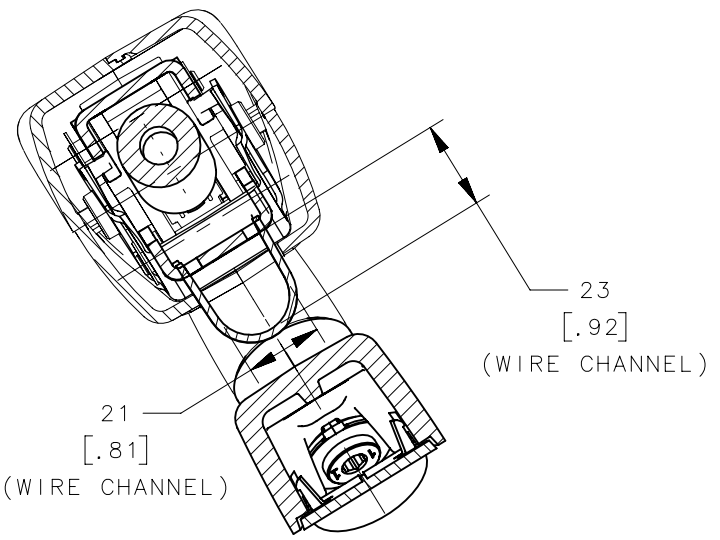
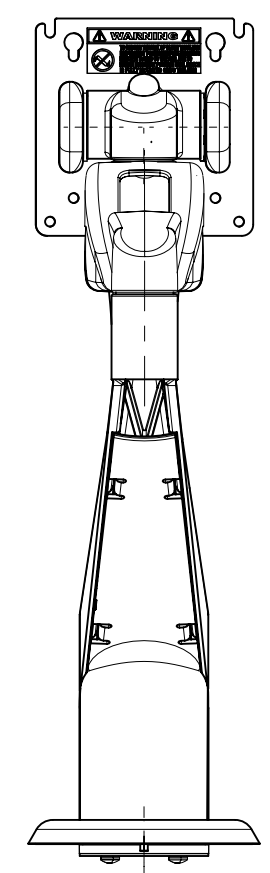
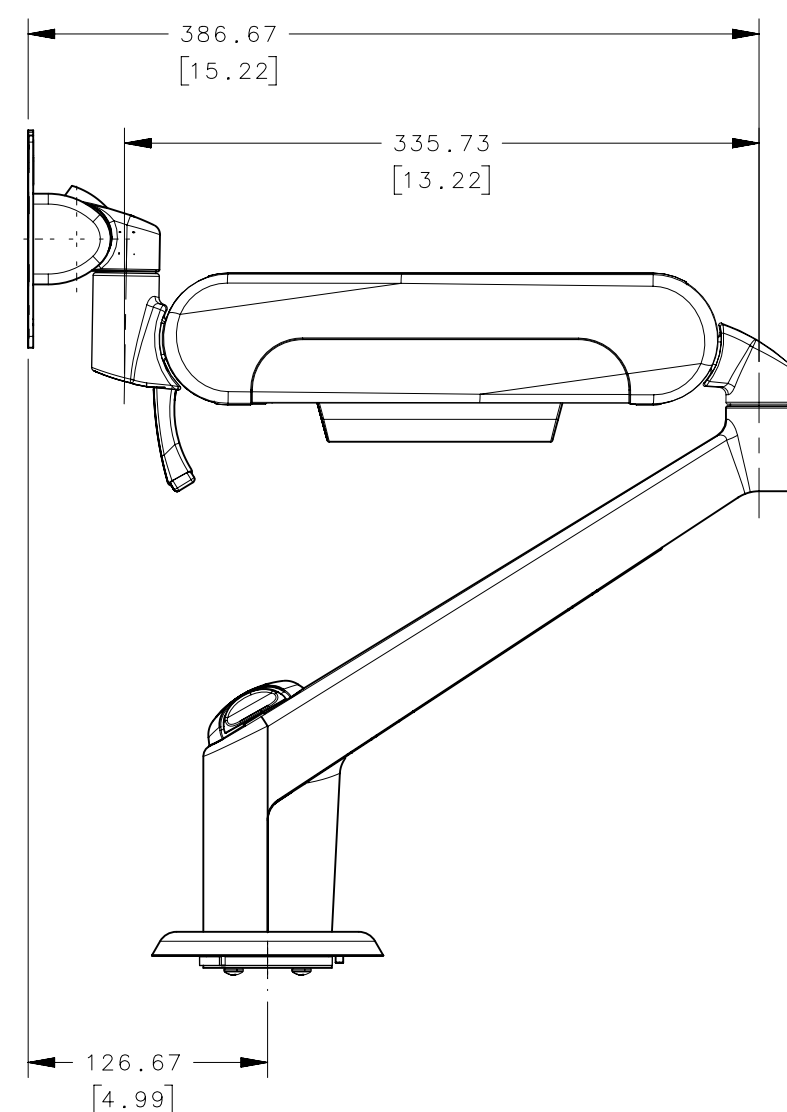
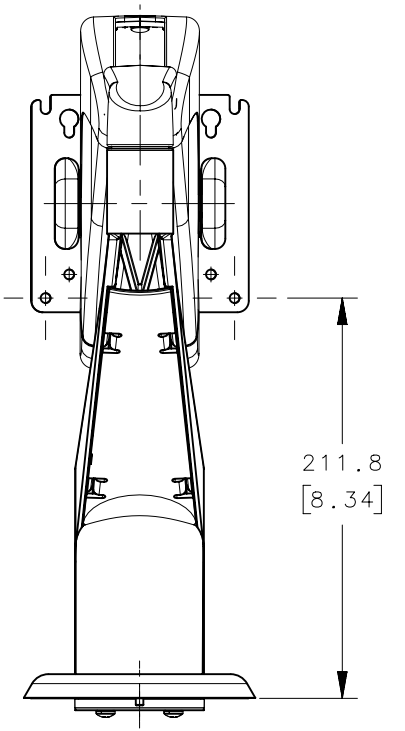
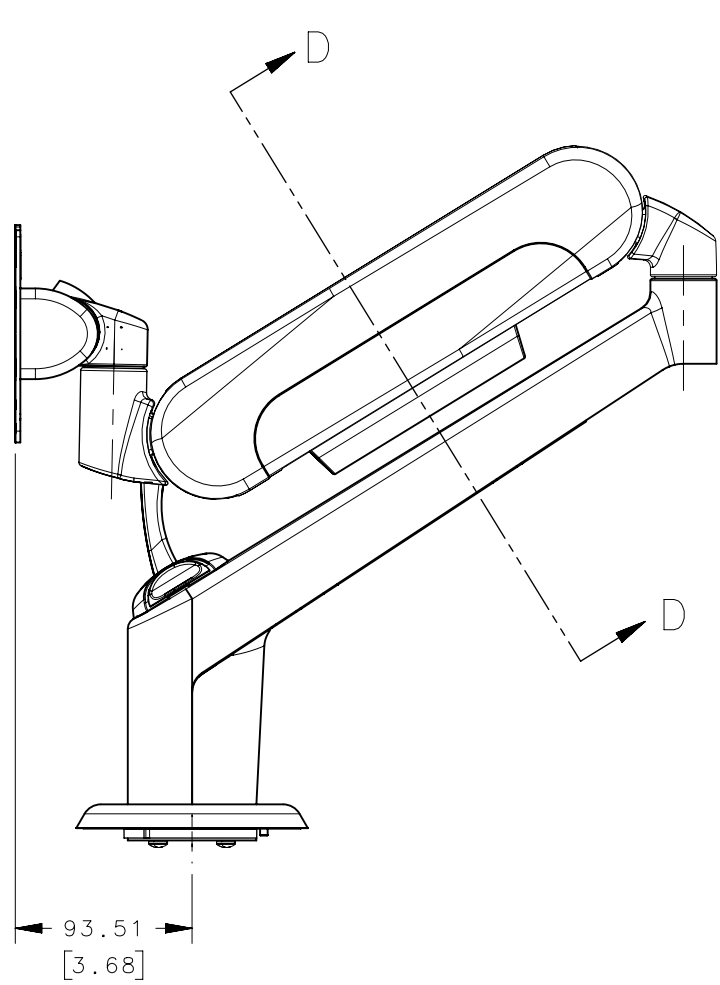
- TURN SCREW CW (CLOCKWISE) TO DECREASE TENSION FOR A LIGHTER DISPLAY
- + TURN SCREW CCW (COUNTERCLOCKWISE) TO INCREASE TENSION FOR A HEAVIER DISPLAY

(NOTE: ADJUSTMENT IS EASIER IF ARM IS POSITIONED BELOW HORIZONTAL WITH THE DISPLAY ATTACHED)



LOWEST ARM POSITION

HORIZONTAL ARM POSITION



SECTION D-D

THIRD ANGLE PROJECTION				southco CONNECT · CREATE · INNOVATE	
MILLIMETERS [IN]					
TOLERANCES UNLESS OTHERWISE NOTED		DESCRIPTION		HINGE & CONTROLLED MOTION DEVICE	
ALL DIMENSIONS WITHOUT TOLERANCES ARE FOR REFERENCE ONLY.		SIZE SYSTEM		STANDARD ARTICULATING LOCKING DOUBLE ARM	
PROPRIETARY ITEM		DWG NO.		J-AV-D32-61WC131	
EXCEPT FOR USES EXPRESSLY GRANTED IN WRITING, INFORMATION DISCLOSED HEREON IS CONFIDENTIAL AND ALL RIGHTS, PATENT AND OTHERWISE, ARE RESERVED BY SOUTHCO, INC.		DRAWN BY		GSA	
PER ASME Y14.5M-1994		DATE		22MAR2017	
		SCALE		1:1	
		SHEET		2 OF 5	

8

7

6

5

4

3

2

1

8

7

6

5

4

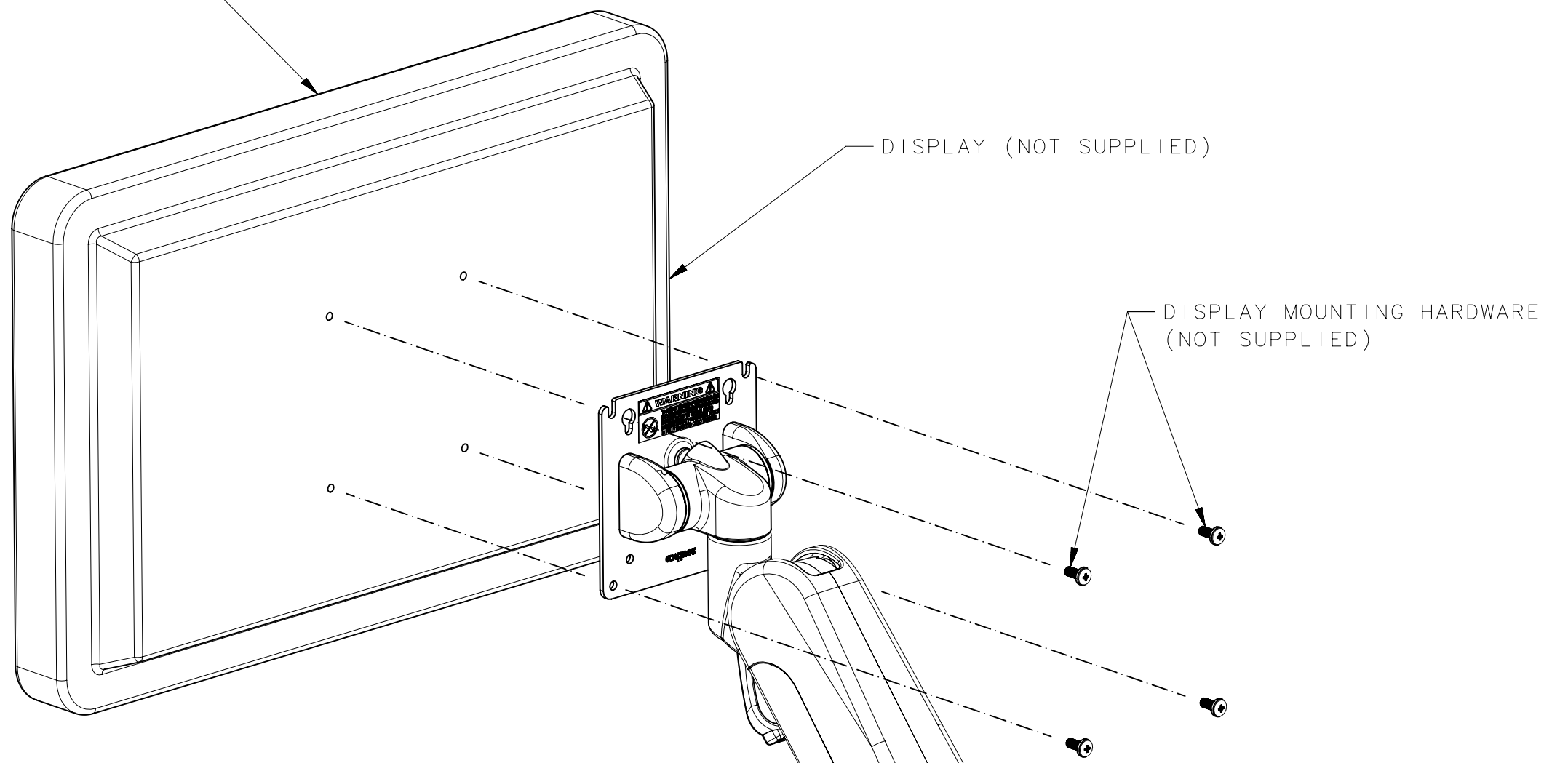
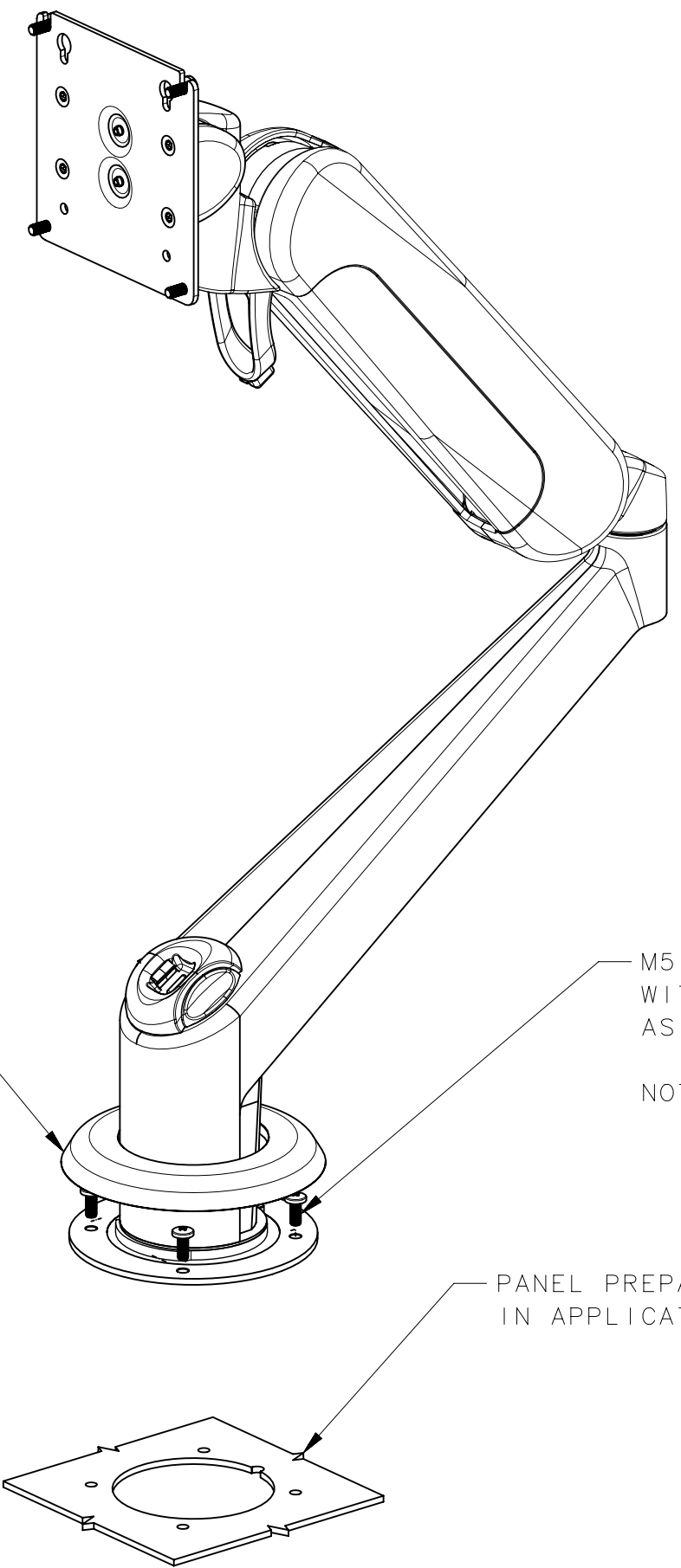
3

2

1

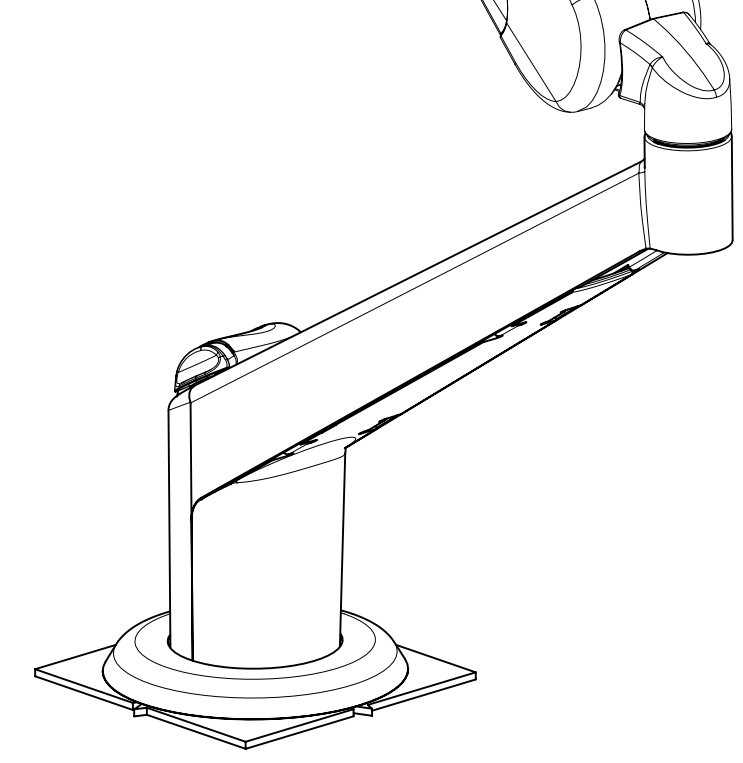
REVISION HISTORY			
REV	DATE	BY	DESCRIPTION
D	15FEB2021	ABK/VK	PRN: P2021-0289

REFER TO TABLE ON SHEET 1 FOR RECOMMENDED DISPLAY WEIGHT RANGE



INSTALL DISPLAY WITH THE ARM IN THE HIGHEST POSITION.

NOTE: SEE SHEET 2 OF 5 FOR ARM ADJUSTMENT PROCEDURE TO ADJUST FOR WEIGHT OF DISPLAY WHEN INSTALLED.



THIRD ANGLE PROJECTION				southco CONNECT · CREATE · INNOVATE	
MILLIMETERS [IN]					
SURFACE AREA mm ²		TOLERANCES UNLESS OTHERWISE NOTED		DESCRIPTION	
VOLUME mm ³		ALL DIMENSIONS WITHOUT TOLERANCES ARE FOR REFERENCE ONLY.		HINGE & CONTROLLED MOTION DEVICE STANDARD ARTICULATING LOCKING DOUBLE ARM	
PROPRIETARY ITEM		PER ASME Y14.5M-1994		DRAWN BY GEA DATE 22MAR2017 SCALE 1:1 SHEET 3 OF 5	
EXCEPT FOR USES EXPRESSLY GRANTED IN WRITING, INFORMATION DISCLOSED HEREON IS CONFIDENTIAL AND ALL RIGHTS, PATENT AND OTHERWISE, ARE RESERVED BY SOUTHCO, INC.		SIZE SYSTEM A2 NX		DWG NO. J-AV-D32-61WC131	

8

7

6

5

4

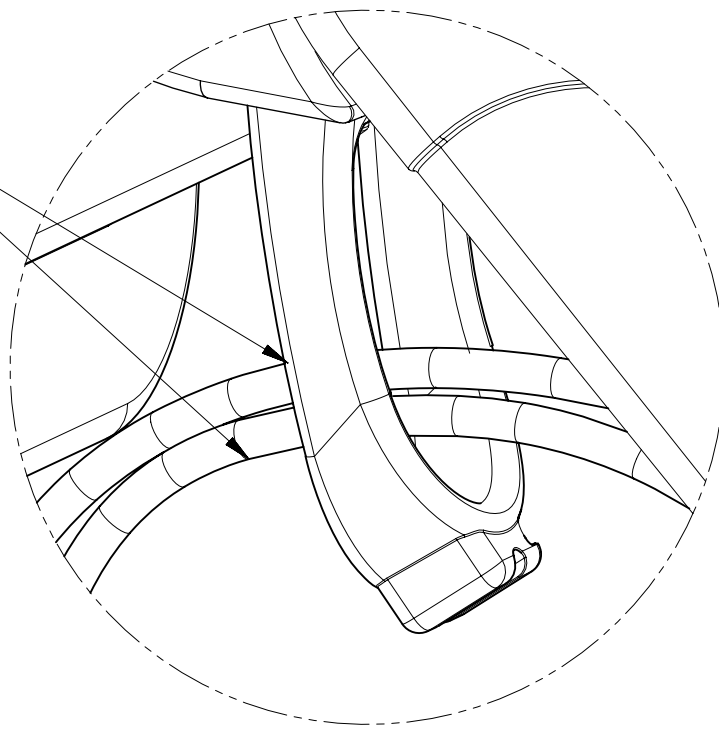
3

2

1

REVISION HISTORY			
REV	DATE	BY	DESCRIPTION
D	15FEB2021	ABK/VK	PRN: P2021-0289

ROUTE CABLES THROUGH ARM LOCK AS SHOWN.

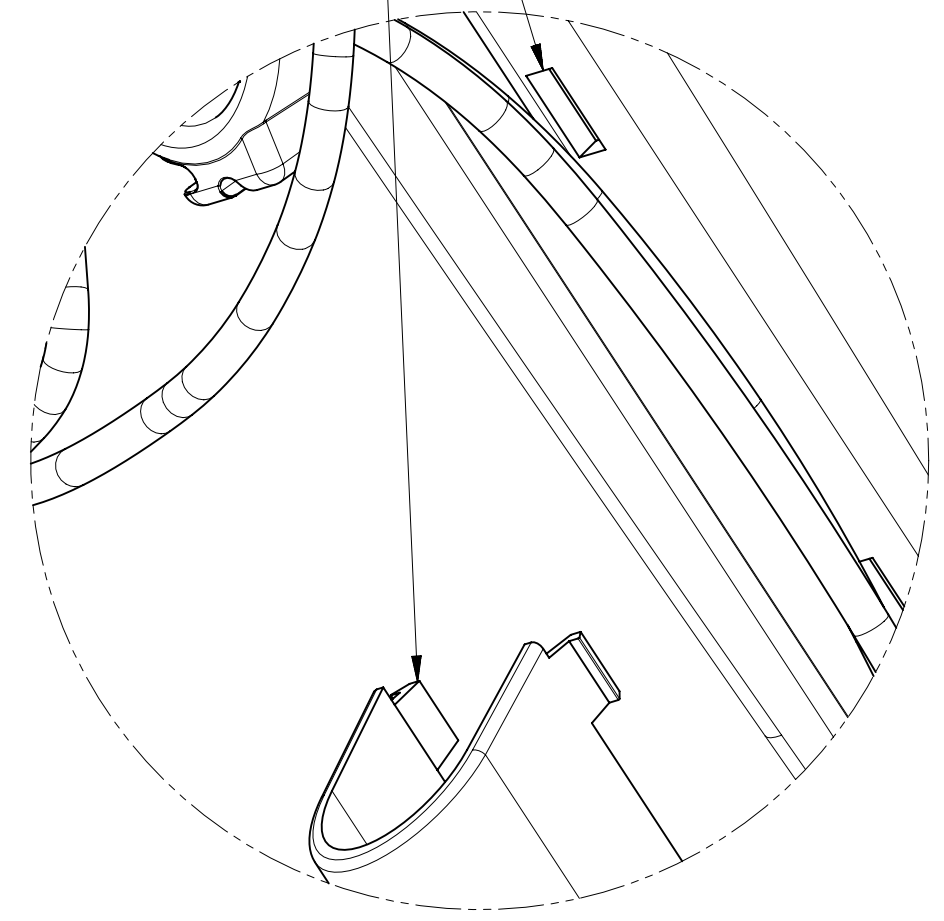


DETAIL E
SCALE 4:3

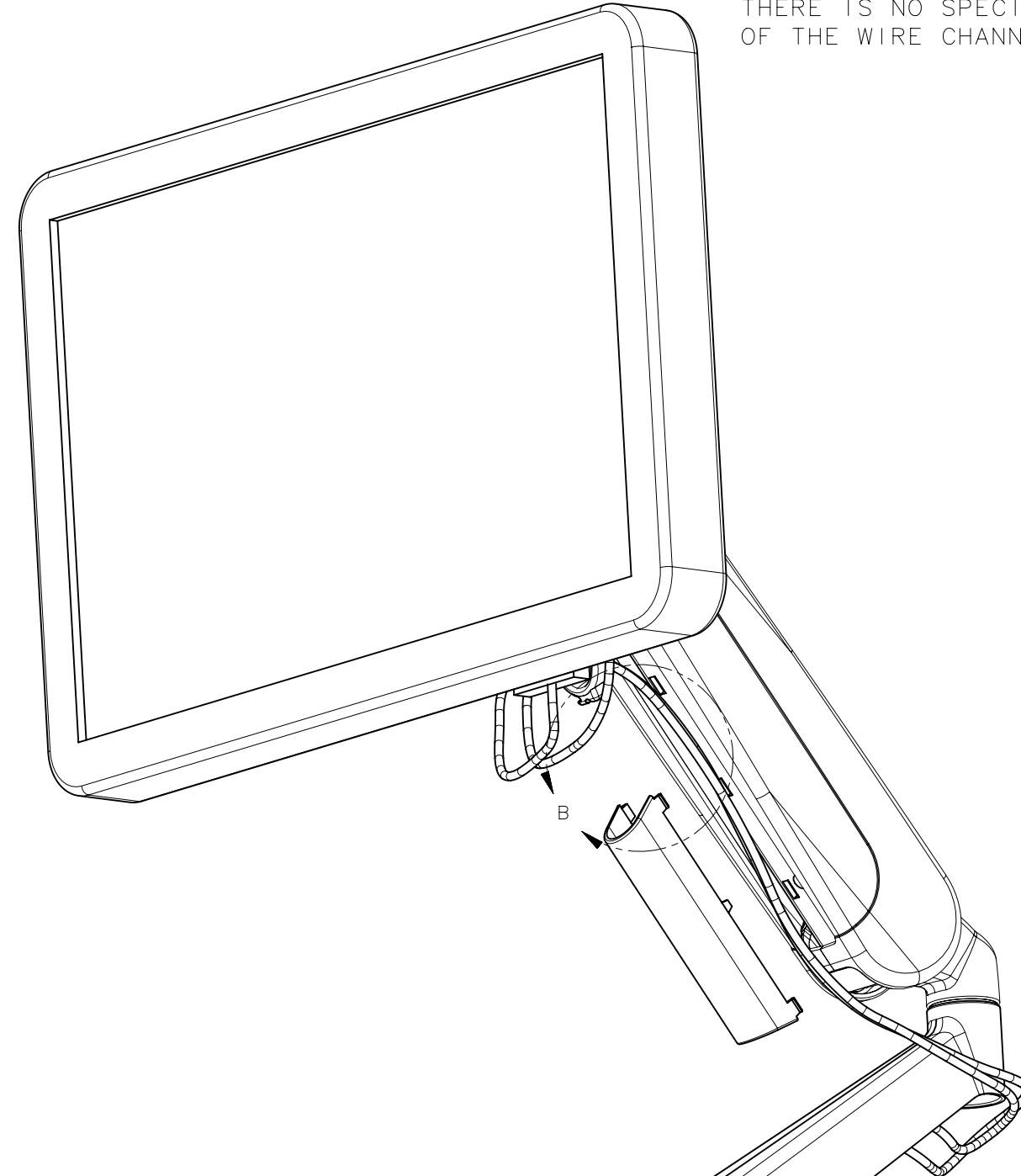
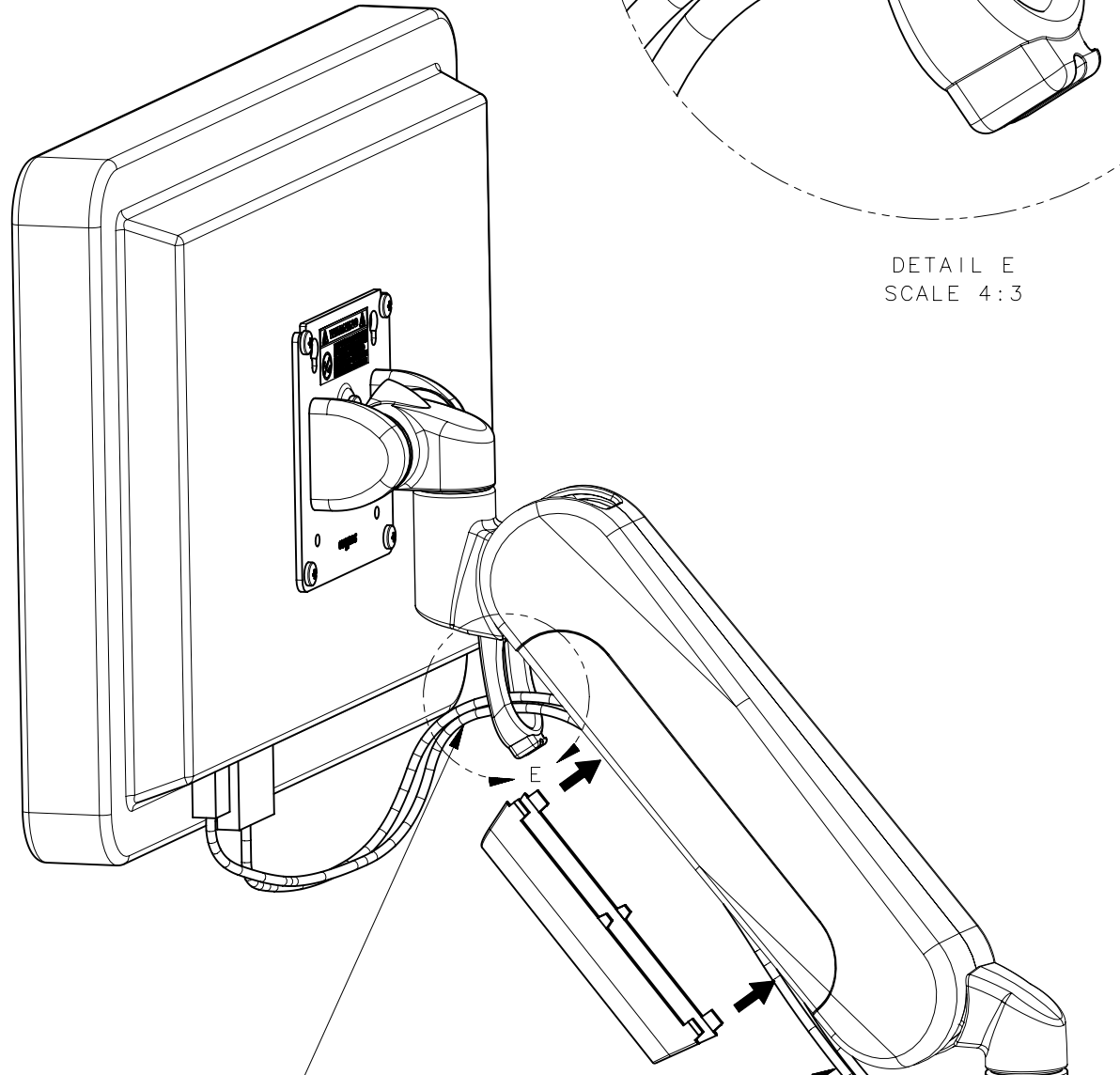
TAB ON WIRE CHANNEL ENGAGES INTO SLOT ON BOTTOM OF LINK IN UPPER ARM ASSEMBLY.

TO REMOVE OR INSTALL WIRE CHANNEL, SQUEEZE SIDE WALLS AT EITHER END TO DISENGAGE OR ENGAGE THE SNAP TABS WITH THE SLOTS IN UPPER LINK.

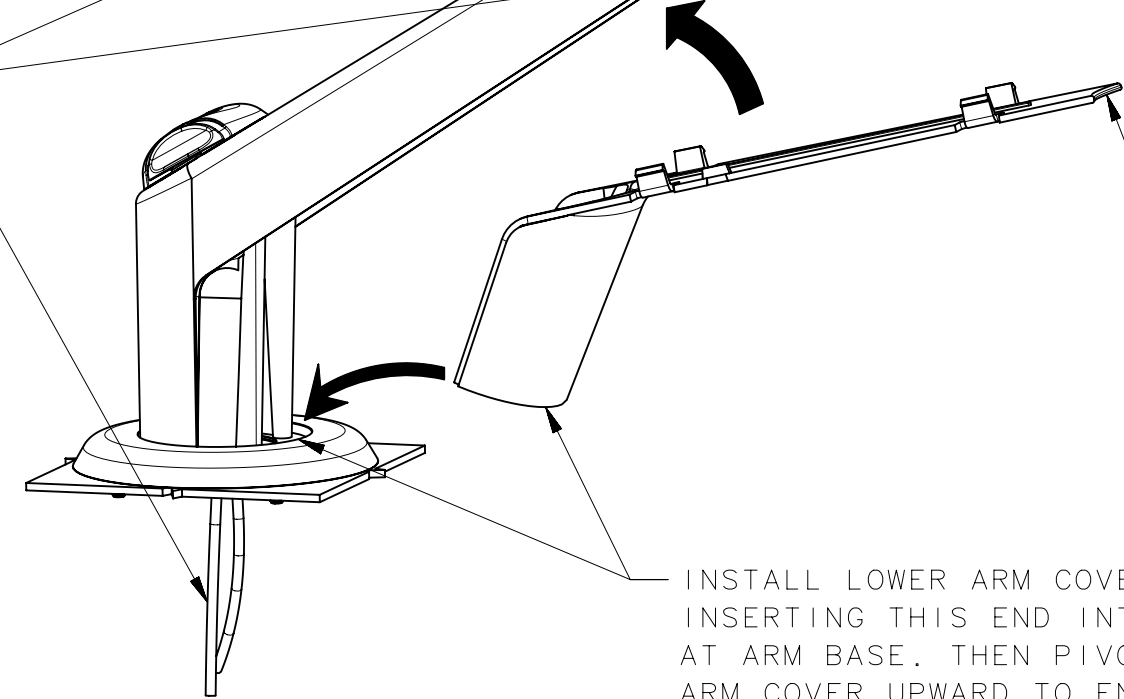
THERE IS NO SPECIFIC ORIENTATION OF THE WIRE CHANNEL.



DETAIL B
SCALE 4:3



ROUTE DISPLAY CABLES APPROXIMATELY AS SHOWN. BE SURE TO LEAVE SUFFICIENT LENGTH AT JOINTS TO AVOID DAMAGING CABLES WHEN MANIPULATING ARM ASSEMBLY.



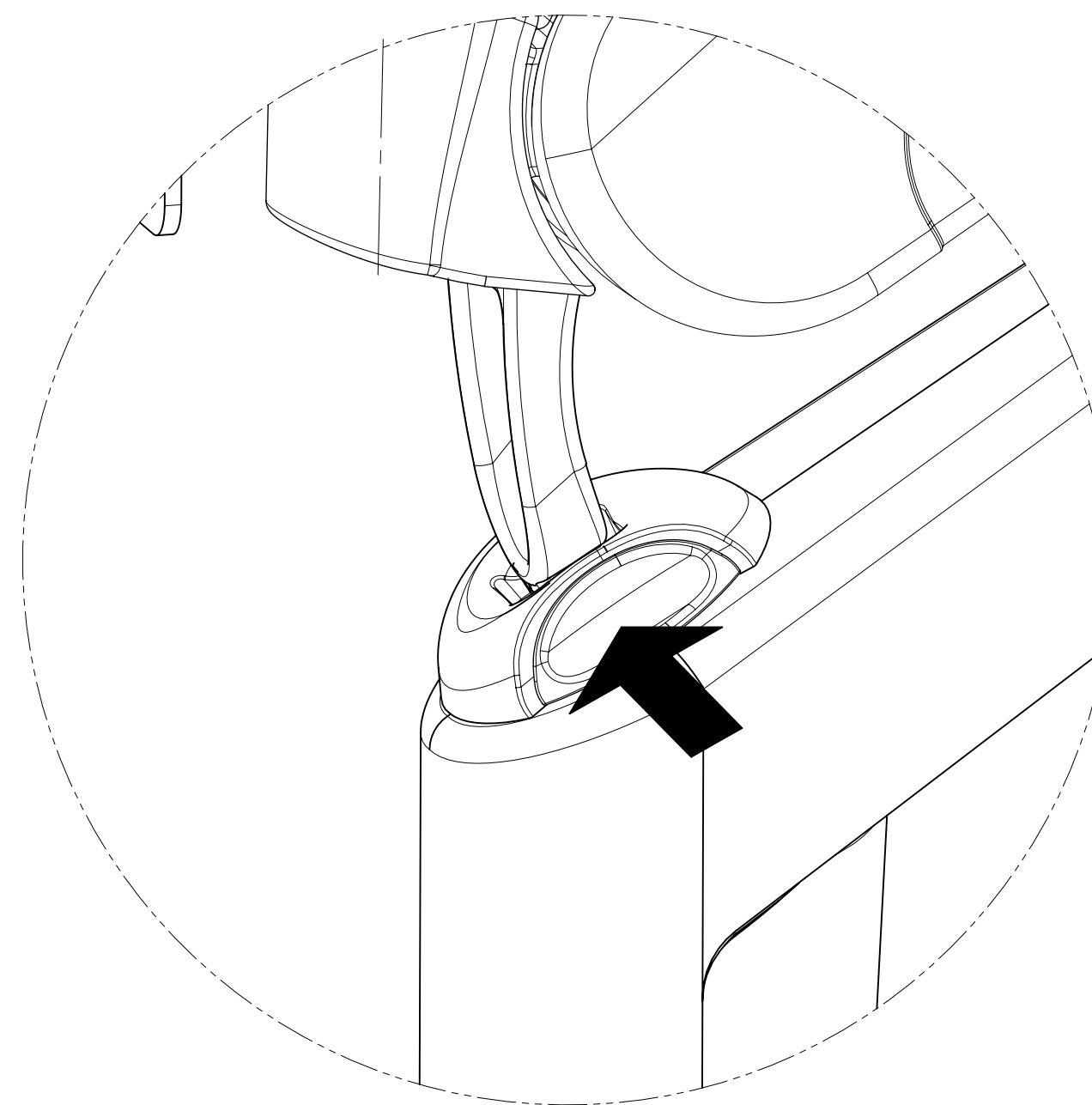
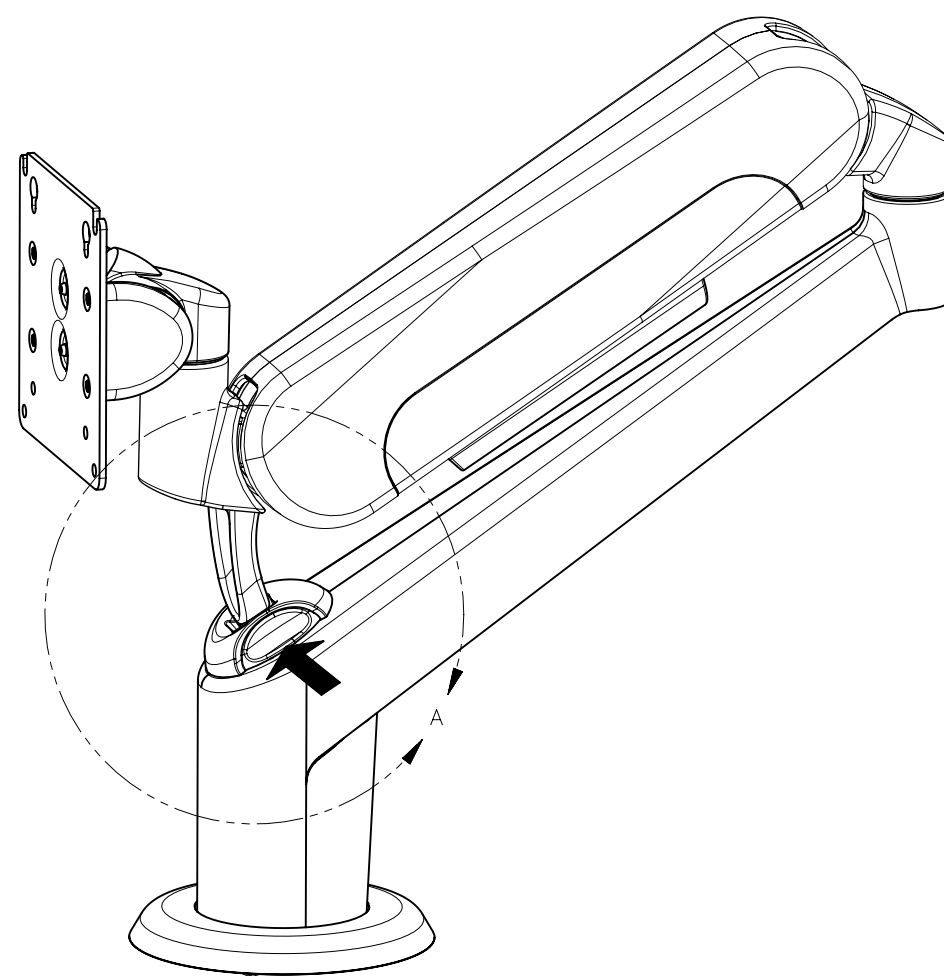
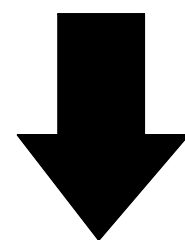
REMOVE LOWER ARM COVER BY PULLING DOWN ON THIS END TO DISENGAGE SNAP TABS FROM LOWER ARM.

INSTALL LOWER ARM COVER BY INSERTING THIS END INTO RECESS AT ARM BASE. THEN PIVOT LOWER ARM COVER UPWARD TO ENGAGE SNAP TABS INSIDE LOWER ARM.

THIRD ANGLE PROJECTION				southco CONNECT · CREATE · INNOVATE	
MILLIMETERS [IN]					
SURFACE AREA		TOLERANCES UNLESS OTHERWISE NOTED		DESCRIPTION	
VOLUME		ALL DIMENSIONS WITHOUT TOLERANCES ARE FOR REFERENCE ONLY.		HINGE & CONTROLLED MOTION DEVICE STANDARD ARTICULATING LOCKING DOUBLE ARM	
PROPRIETARY ITEM		PER ASME Y14.5M-1994		SIZE SYSTEM A2 NX DWG NO. J-AV-D32-61WC131	
EXCEPT FOR USES EXPRESSLY GRANTED IN WRITING, INFORMATION DISCLOSED HEREON IS CONFIDENTIAL AND ALL RIGHTS, PATENT AND OTHERWISE, ARE RESERVED BY SOUTHCO, INC.		DRAWN BY GEA		DATE 22MAR2017 SCALE 1:1 SHEET 4 OF 5	

REVISION HISTORY			
REV	DATE	BY	DESCRIPTION
D	15FEB2021	ABK/VK	PRN: P2021-0289

PUSH ARM DOWNWARD
IN DIRECTION OF
ARROW TO ENGAGE
ARM LOCK



DETAIL A
SCALE 1:1

RELEASE ARM LOCK WITH DISPLAY INSTALLED TO RAISE
ARM FROM THE LOCKED POSITION. DEPRESS ACTUATOR
INWARD, THEN LIFT UP DISPLAY TO RELEASE.

PERSONAL INJURY COULD RESULT IF LOCKED
ARM IS RELEASED WITH OUT DISPLAY INSTALLED.

WARNING:
TO REDUCE THE RISK OF INJURY MOVE ARM
INTO HIGHEST POSITION BEFORE REMOVING
DEVICE ATTACHED TO ARM. ARM TO REMAIN
IN HIGHEST POSITION UNTIL DEVICE IS
FULLY MOUNTED INTO THE ARM.

		THIRD ANGLE PROJECTION	southco CONNECT · CREATE · INNOVATE	
		MILLIMETERS [IN]		
		TOLERANCES UNLESS OTHERWISE NOTED	DESCRIPTION HINGE & CONTROLLED MOTION DEVICE STANDARD ARTICULATING LOCKING DOUBLE ARM	
SURFACE AREA	mm ²	ALL DIMENSIONS WITHOUT TOLERANCES ARE FOR REFERENCE ONLY.		
VOLUME	mm ³	PROPRIETARY ITEM	SIZE SYSTEM A2 NX	DWG NO. J-AV-D32-61WC131
EXCEPT FOR USES EXPRESSLY GRANTED IN WRITING, INFORMATION DISCLOSED HEREON IS CONFIDENTIAL AND ALL RIGHTS, PATENT AND OTHERWISE, ARE RESERVED BY SOUTHCO, INC.		PER ASME Y14.5M-1994	DRAWN BY GEA	DATE 22MAR2017
			SCALE 1:1	SHEET 5 OF 5