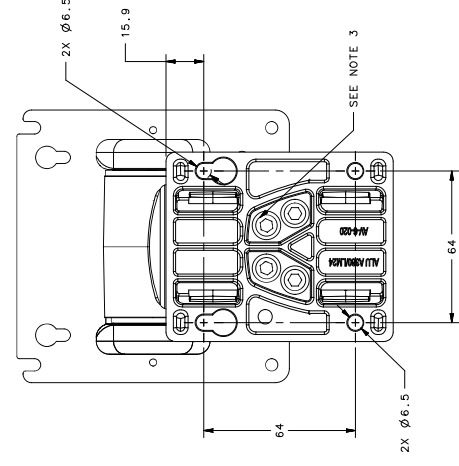
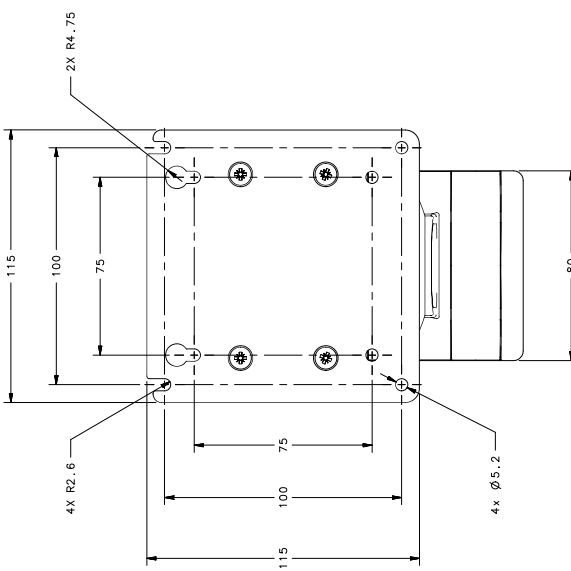
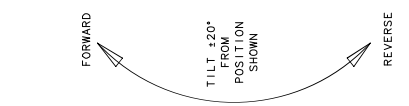
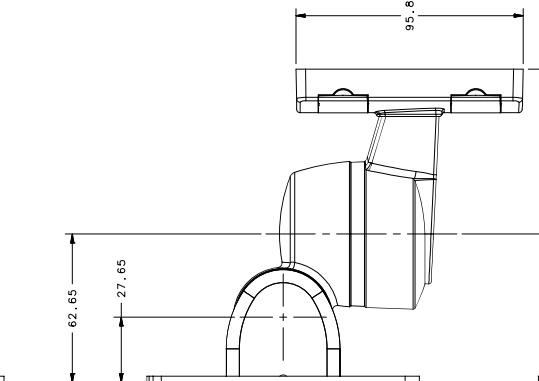
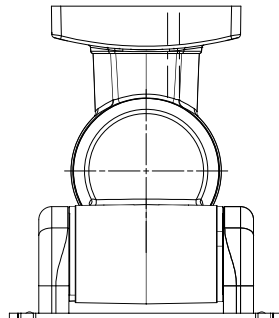


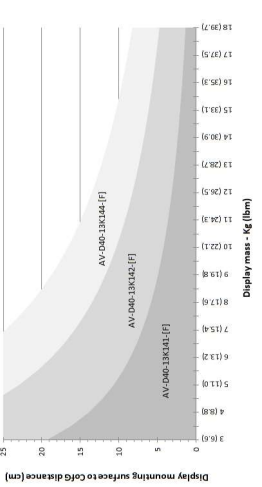
NOTES:

1. FINISH PER SOUTHCO COSMETIC SPECIFICATION S-121 CLASS 'C' EXTERIOR POWDER COATED SURFACES.
2. TILT TORQUE MEASURED WITH VESA DISPLAY PLATE IN VERTICAL (0° ±5°)
3. TORQUE FIXING ARM TO MOUNTING PLATE ARE NOT TO BE REMOVED. IF REMOVED OR LOOSENED, REPLACE USING NEW M6-1.0x25 CLASS 12.9, HIGH TENSILE CAP HEAD SCREWS AND PLAIN WASHERS AND TIGHTEN TO 14-16Nm.
4. FOR SELECTION OF SUITABLE TILT TORQUE WHEN USING VESA PLATE BASED MOUNTINGS USE GRAPHICAL DATA PROVIDED AS A GUIDE.
5. THE MOUNTING HARDWARE SELECTED SHOULD PROVIDE ADEQUATE SUPPORT FOR PROPER FUNCTIONING AND WEIGHT BEARING LOAD.
6. MATERIALS AND FINISHES: DIE CAST ALUMINIUM, ANODISED AND POWDER COATED. TILT STOP: STEEL HOUSING AND WALL PLATE ADAPTER: DIE CAST ALUMINIUM, POWDER COATED.

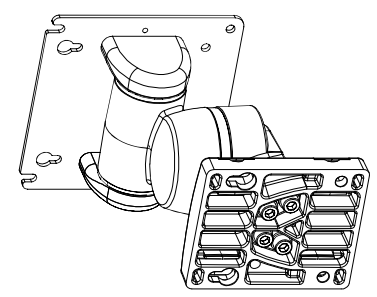
7. TILT SLEEVE BEARING: ACETAL
8. COILED PIN: STEEL, PHOSPHATE COATING.
9. SWIVEL ROTATIONAL SPRING: ZINC, NATURAL.
10. TILT AXIS TORSION SPRING (WHERE USED): STEEL, NICKEL PLATED.
11. MOUNTING SCREWS: STEEL, FINISH: VARIOUS.
12. TILT STOP WASHERS: STEEL AND NYLON.
13. MOUNTING HARDWARE: HYDROCARBON BASE.
14. MOUNTING PLATE: DIE CAST ALUMINIUM, POWDER COATED.
15. MOUNTING HARDWARE COVER: PC/ABS, COLOUR CODED.



AV-D40-13K14X-F1 Model Selection Guide



PART NUMBER	REVERSE TILT TORQUE N*m (lbf*in)	FORWARD TILT TORQUE N*m (lbf*in)	DISPLAY SWIVEL SYMMETRIC TORQUE	COLOR
AV-D40-13K141-76	7.9 (70)	1.13 (10)	3.0 N*m (26.5 lbf*in)	OFFICE WHITE
AV-D40-13K141-50	7.9 (70)	1.13 (10)	3.0 N*m (26.5 lbf*in)	BLACK
AV-D40-13K142-76	15.4 (136)	2.26 (20)	NOMINAL / 1.5 N*m (13.25 lbf*in)	OFFICE WHITE
AV-D40-13K142-50	15.4 (136)	2.26 (20)	NOMINAL / 1.5 N*m (13.25 lbf*in)	BLACK
AV-D40-13K143-76	8.6 (76)	6.0 (53)	MINIMUM	OFFICE WHITE
AV-D40-13K143-50	8.6 (76)	6.0 (53)	MINIMUM	BLACK
AV-D40-13K144-76	23.1 (204)	7.0 (62)		OFFICE WHITE
AV-D40-13K144-50	23.1 (204)	7.0 (62)		BLACK



**southco**  
 CONNECT-CREATE-INNOVATE

THIRD ANGLE PROJECTION

MILL METERS (IN)

TOLERANCES UNLESS OTHERWISE NOTED

DISPLAY MOUNT  
 TILT AND SWIVEL, NO ARM

SIZE SYSTEM  
 A2 NX

DATE  
 21 JUL 2015

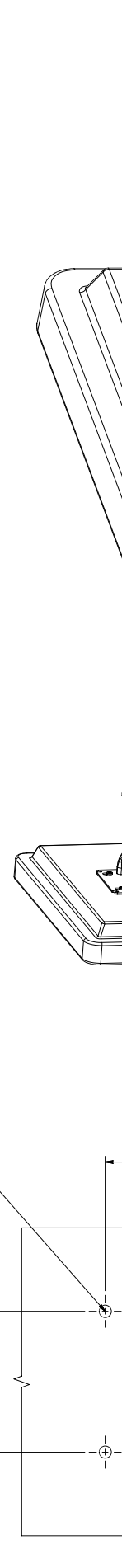
DESIGNED BY  
 D/JM/SKB

PER ASME Y14.5M-1994

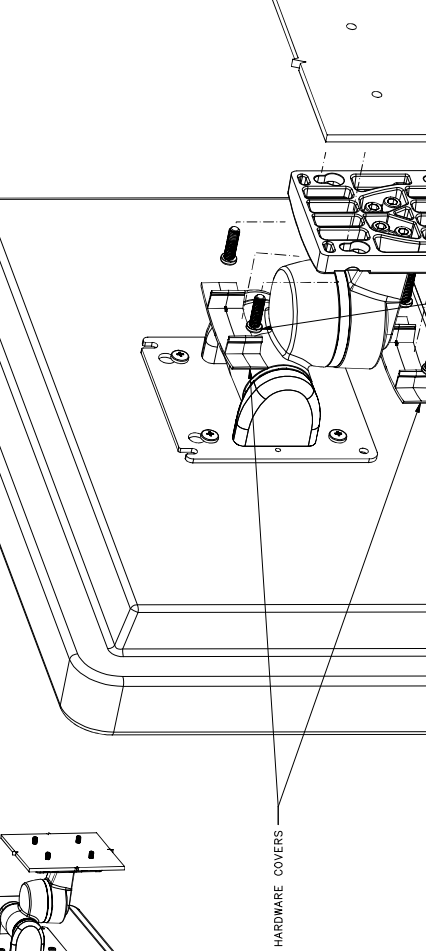
SCALE  
 1:1

SHEET  
 1 OF 2

REV	DATE	BY	DESCRIPTION
A	21MAR2016	SKB/JDS	INITIAL RELEASE

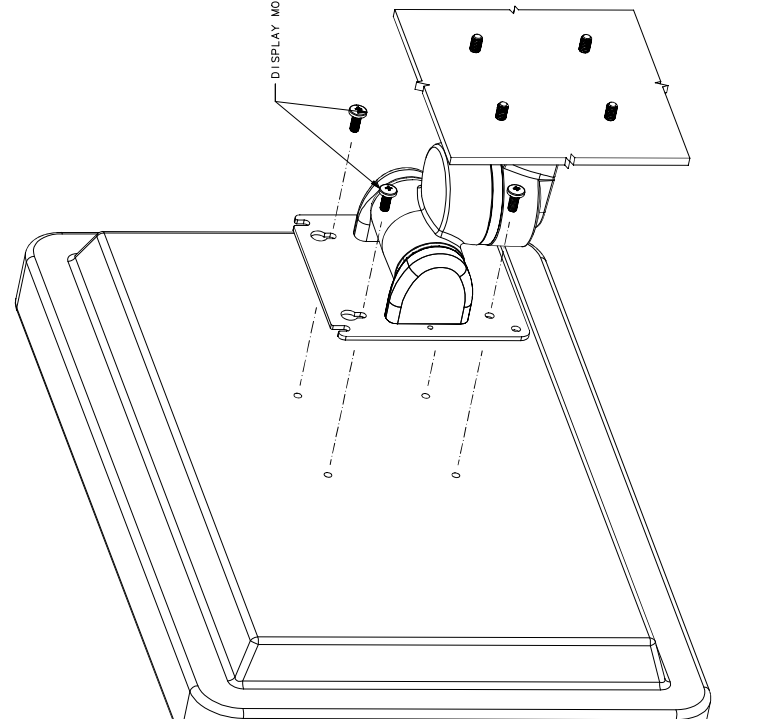


MOUNTING PANEL PREPARATION



HARDWARE COVERS

M6 X 1.0 SCREWS (NOT SUPPLIED)



DISPLAY MOUNTING SCREWS NOT SUPPLIED

THIRD ANGLE PROJECTION		DESCRIPTION	DISPLAY MOUNT TILT AND SWIVEL, NO ARM
MILLIMETERS (IN)		DATE	21 JUL 2015
TOLERANCES UNLESS OTHERWISE NOTED		BY	DJM/SKB
ALL DIMENSIONS WITHOUT TOLERANCES ARE REFERENCE ONLY.		REV. NO.	J-AV-D40-13K14
PROBABLE CLASS: ITA1		SCALE	1:1
EXCEPT WHERE SHOWN OTHERWISE, DIMENSIONS ARE TO THE CENTERLINE UNLESS INDICATED OTHERWISE BY DIMENSION LINE.		DATE	21 JUL 2015
PER ASME Y14.5M-1994		SHEET	2 OF 2

**southco**  
CONNECT-CREATE-INNOVATE