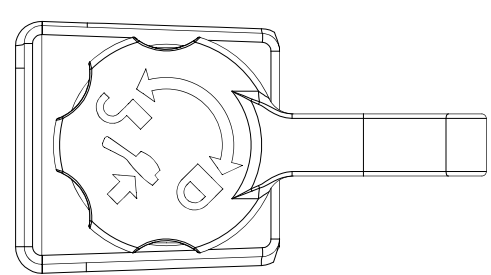
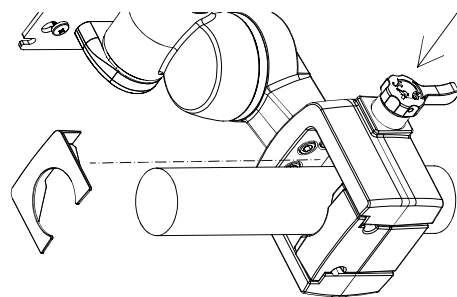


8	7	6	5	4	3	2	1
REVISION HISTORY REV. DATE BY DESCRIPTION A 21MAR2016 SKB/ZDS INITIAL RELEASE							

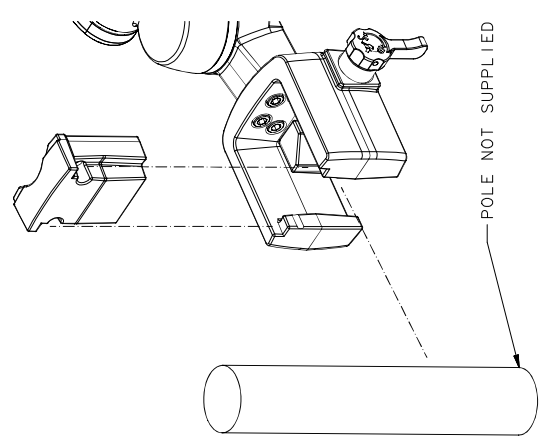


±180°

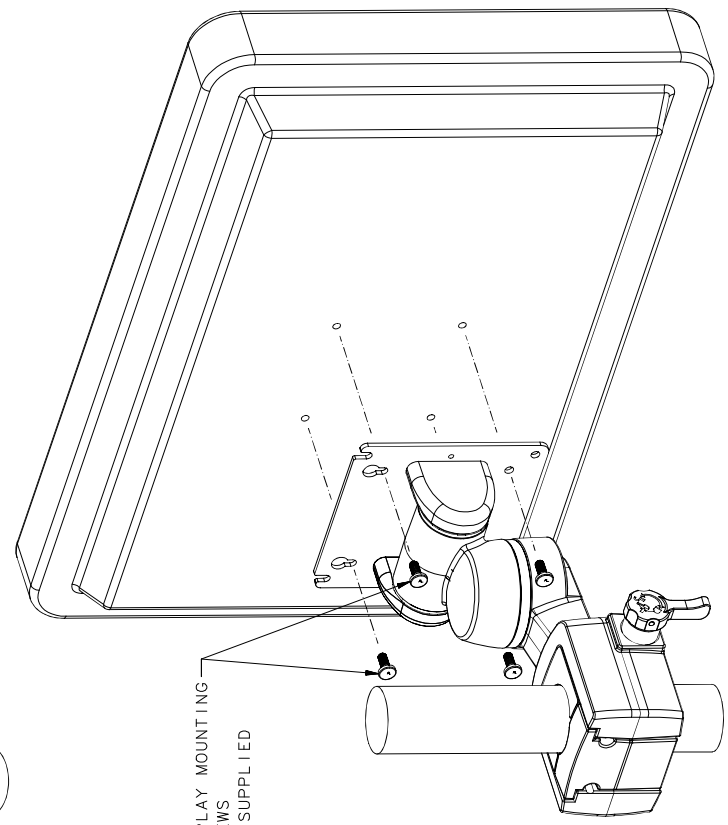
PUSH KNOB IN AND TURN TO TIGHTEN OR LOOSEN POLE



PUSH AND TURN CLOCKWISE TO TIGHTEN POLE



POLE NOT SUPPLIED

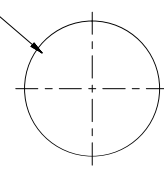


POLE - Ø 35 - Ø 38

DISPLAY MOUNTING SCREWS NOT SUPPLIED

INSTALLATION INSTRUCTIONS:

- INSERT POLE INTO MOUNT.
- DROP COVER BEHIND POLE TO LOCK POLE IN MOUNT.
- PLACE TOP COVER INTO POSITION ON TOP OF MOUNT.
- PUSH AND TURN KNOB TO LOCK/UNLOCK.
- ALIGN AND INSTALL SCREWS WITH DISPLAY.



MOUNTING POLE PREPARATION

THIRD ANGLE PROJECTION		<b>southco</b> CONNECT-CREATE-INNOVATE
MILLIMETERS (IN)		
TOLERANCES UNLESS OTHERWISE NOTED		
ALL DIMENSIONS WITHOUT TOLERANCES ARE TO BE INTERPRETED AS HOLE REFERENCE ONLY.		
ASSEMBLY: 1:1		
DESIGNED BY: D.J.M./SKB		
DATE: 21 JUL 2015		
PER ASME Y14.5M-1994		

DESCRIPTION	DISPLAY MOUNT, TILT AND SWIVEL NO ARM
SIZE	NX
FORM NO.	J-AV-D40-13K16
DRAWN BY	D.J.M./SKB
DATE	21 JUL 2015
SCALE	1:2
SHEET	2 OF 2