

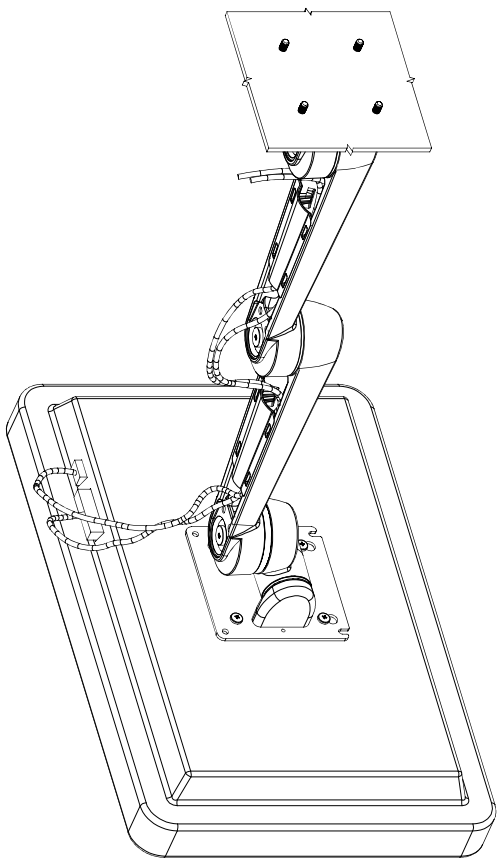
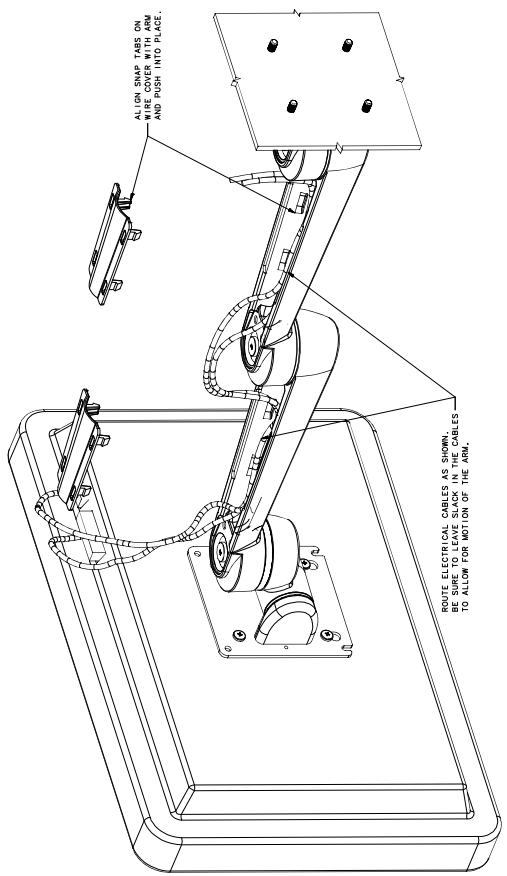
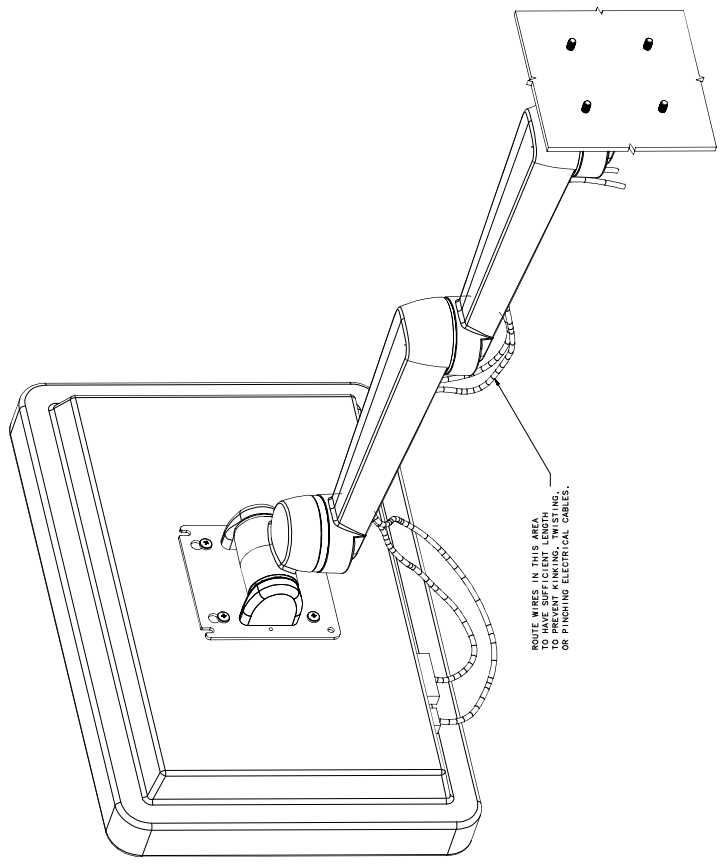
REV	DATE	BY	DESCRIPTION
A	22MAR2016	SKB/DS	INITIAL RELEASE

THIRD ANGLE PROJECTION	MILLIMETERS (IN)	DESCRIPTION
		CONNECTOR - INMATE
		DISPLAY MOUNT
		TILT AND SWIVEL, DOUBLE ARM
		Part No. J-AV-D40-50D14
		SIZE SYSTEM NX A1
		DATE 13FEB2015 SCALE 1:2 SHEET 2 OF 3

PROPRIETARY ITEM
 THIS DRAWING IS THE PROPERTY OF SOUTHCO
 AND IS NOT TO BE REPRODUCED OR TRANSMITTED IN ANY FORM OR BY ANY MEANS, ELECTRONIC OR MECHANICAL, WITHOUT THE WRITTEN PERMISSION OF SOUTHCO

12	11	10	9	8	7	6	5	4	3	2	1
----	----	----	---	---	---	---	---	---	---	---	---

12	11	10	9	8	7	6	5	4	3	2	1
----	----	----	---	---	---	---	---	---	---	---	---



REV	DATE	BY	REVISION HISTORY	DESCRIPTION
A	22MAR2016	SKB/DS	INITIAL RELEASE	

THIRD ANGLE PROJECTION	CONNECTOR: 1.5MM/0.059 IN	DESCRIPTION
MILLIMETERS (IN)	TOLERANCES UNLESS OTHERWISE NOTED	DISPLAY MOUNT
ALL DIMENSIONS WITHOUT TOLERANCES ARE FOR REFERENCE ONLY.	SIZE SYSTEM NX	TILT AND SWIVEL, DOUBLE ARM
PROPERTY: ITEM	DRAWN BY SKB	Part No. J-AV-D40-50014
DATE: 13FEB2015	SCALE: 1:1	DATE: 13FEB2015
REVISED BY: WJH	SCALE: 1:1	REVISED BY: WJH
DATE: 13FEB2015	SCALE: 1:1	DATE: 13FEB2015

12	11	10	9	8	7	6	5	4	3	2	1
----	----	----	---	---	---	---	---	---	---	---	---